



ignition parts

4

pilot burners.....	78
electrodes.....	127
ignition cables.....	155
piezoelectric igniters.....	156
ignition units.....	157
ignition switches.....	157
thermocouples.....	158



ignition parts

pilot burners

SIT

100 series



fig.	GEV No.	flames	nozzle ø (mm)	gas connection (mm)	suitable for	Ref. No.
1	107141	1	0.35	6	MBM-Italia SIT	RTCU700372 GK803MBM
2	107137	1	0.18	-	Palux SIT	321354 0190901
2	107138	1	0.35	-	Electrolux Palux SIT Zanussi	056751 321354 0190904 056751
3	107003	1	0.2	6	SIT	0190061
4	107103	1	0.2	6	Baron Electrolux Mareno Olis SIT Zanussi	BN6A013100 OK9223 24022099 A013100 0190025 OK9223

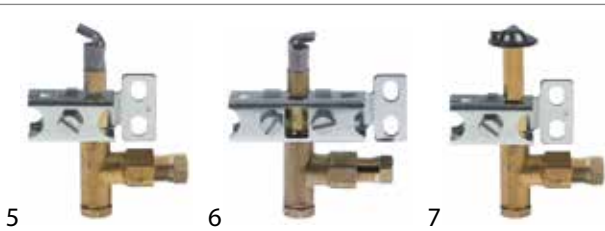


fig.	GEV No.	flames	nozzle ø (mm)	gas connection (mm)	suitable for	Ref. No.
5	106901	1	0.2	6	Bertos Electrolux Foem Iberital-Macchine Juno Lotus Modular Offcar SIT Solymac Tecnoinox	31291300 0H6314 05019906800 40471 0H6314 533091400 67208000 837201 0100013 P74A RC01140000
5	107337	1	0.2/0.4	4/6	Bonnet	2020122
6	106904	1	0.2	6	Alpeninox Bertos Electrolux Gasco GIGA Morice Silko Therma Zanussi	300436 31291400 027073 G1801132 0000X19900 RB1004 SIR0100821 027073 027073
7	106902	2	0.2	6	Ambach Casta Electrolux Iberital-Macchine Mareno Modular Olis SIT Therma Zanussi	5024708693 700011 029776 40014 94400 67206900 6A0131015 0100020 029776 029776



fig.	GEV No.	flames	nozzle ø (mm)	gas connection (mm)	suitable for	Ref. No.
8	106905	2	0.2	6	Angelo-Po Gasco Nayati SIT	33A0410 G1801232 WT3851 G1801232
9	106903	3	0.2	6	Electrolux Iberital-Macchine Roller Grill SIT Tecnoinox Zanussi	020152 41703 E02032 0100025 RC00119000 020152
9	106908	3	0.35	6	SIT	0190015
10	106906	3	0.2	6	Ambach Angelo-Po Anitec Baron Bertos Bonnet Capic Casta CB Charvet Cookmax Coven Electrolux Elframo Emmepi Fagor Firex Foem Foinox Gico GIGA Giorik Iberital-Macchine Jemi Juno Komel Lainox Lincar Lotus Mareno MBM-Italia Nayati Offcar Olis Rosinox Silko SIT Star10 Tecnoinox Universo Zanussi	5024703475 6000350 X13500 27090022 22291632 7434003 G207510 770025 08100602 07550A GS3851 EMSITBP0 0H6331 33120005 C00711 12009166 30100005 05000027300 0836 A00280 X13500 7090022 40016 998142 0H6331 33120005 LAR63050020 40022510 30100005 MA1040511 RTCU900079 GS3851 837221 A013200 RX94034659 SIR0100824 0100001 068043 RC00119000 PLX20004 0H6331
10	106727	3	0.25	6	Convotherm	5001088
10	106907	3	0.35	6	Electrolux Giorik Juno Mareno Morice Palux Silko SIT Solymac Therma Zanussi	058329 7090023 058329 1315100 RB0664 321699 CR0588730 0100004 P74B 058329 058329
10	107225	3	0.4	6	Charvet SIT	07551A 0100005



fig.	GEV No.	flames	nozzle ϕ (mm)	gas connection (mm)	suitable for	Ref. No.
11	103239	3	0.21		SIT	G1802332
11	103238	3	0.4		SIT	G1802334
12	107139	1	0.2	-	Emmepi Forved Fryland MBM-Italia SIT	C00391 03139 03139 RTCU900025 G1807122
13	107140	3	20	-	Emmepi Ilsa SIT	C00392 61603 G1807332

accessories

pilot burner caps

fig.	GEV No.	flames	H (mm)	L (mm)	Qty (pcs)
1	100833	-	-	-	1
2	100832	1	-	-	1
2	102632	1	-	-	5
3	107160	1	-	-	1
4	107166	1	-	-	1
4	107211	1	-	-	5
5	107161	2	-	-	1
5	107162	3	-	-	1

fig.	GEV No.	flames	H (mm)	L (mm)	Qty (pcs)
6	100837	3	24	48	1
6	102662	3	28	55	1
6	102665	3	28	87	1
6	102663	3	29	64	1
6	100835	3	35	48	1

pilot burner bottom parts

fig.	GEV No.	nozzle ϕ (mm)	fig.	GEV No.	nozzle ϕ (mm)	fig.	GEV No.	nozzle ϕ (mm)
1	107701	0.2	1	107702	0.35	2	100998	0.2
1	107700	0.25	1	100880	0.4	3	107180	0.2

pilot burner brackets

universal

fig.	GEV No.	description
1	100854	pilot burner bracket double
2	100855	pilot burner bracket triple

pilot burner nozzles

fig.	GEV No.	gas type	ϕ (mm)	Qty (pcs)	fig.	GEV No.	gas type	ϕ (mm)	Qty (pcs)
1	100245	LPG	0.2	1	2	100248	NG	0.3	1
1	102545	LPG	0.2	5	2	102548	NG	0.3	5
1	100246	NG	0.35	1	3	107167	LPG	0.21	1
1	102546	NG	0.35	5	3	107212	LPG	0.21	5
1	102972	NG	0.4	1	3	107168	NG	0.35	1
2	100247	LPG	0.2	1	3	107213	NG	0.35	5
2	102547	LPG	0.2	5					

screw pipe fittings

fig.	GEV No.	for pipe ϕ	Qty (pcs)	fig.	GEV No.	for pipe ϕ	Qty (pcs)
1	100904	4mm	1	1	100905	6mm	1
1	102504	4mm	5	1	102505	6mm	5



ignition electrodes

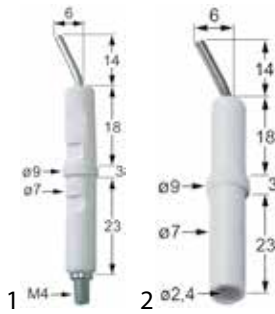


fig.	GEV No.	connection	Qty (pcs)	fig.	GEV No.	connection	Qty (pcs)
1	100706	M4	1	2	100707	ø2.4mm	1
1	106833	M4	5				

miscellaneous



fig.	GEV No.	description
1	100885	air mixing sleeve for pilot burner Qty 1 pcs
1	102685	air mixing sleeve for pilot burner Qty 5 pcs
2	100916	compression spring for pilot burner Qty 1 pcs
2	102716	compression spring for pilot burner Qty 5 pcs
3	100804	gasket for pilot burner
4	100917	gasket for pilot burner Qty 1 pcs aluminium
4	102717	gasket for pilot burner Qty 5 pcs aluminium
5	100918	screw for pilot burner

140 - 145 -150 series



fig.	GEV No.	flames	nozzle ø (mm)	gas connection (mm)	suitable for	Ref. No.
1	107133	1	-	-	Emmepi Lotus MBM-Italia SIT	808353 533023200 RTCP800034 0140026
1	107132	2	-	-	Ambach Baron Cookmax Ilsa Lotus Mareno Olis SIT	5024716410 MA1887700 1887700 111003 533023200 MA1887700 BN6A013106 0140020
1	106943 ¹	1	-	-	Ambach Baron Mareno Silko SIT	5024716410 MA1887700 MA1887700 MA1887700 0140028
2	107134	1	-	-	Electrolux Ilsa SIT Tecnoinox Zanussi	0C7102 60354 0140104 RC01169000 005503

¹incl. thermocouple fitting



fig.	GEV No.	flames	nozzle ø (mm)	gas connection (mm)	suitable for	Ref. No.
3	107113	1	-	-	SIT	0140001
3	107114 ¹	2	-	-	Baron Bertos Cookmax Electrolux Emmepi Giorik Iberital-Macchine Juno Lincar Lotus Mareno MBM-Italia Modular Nayati Offcar Rosinox Silko SIT Zanussi	41826920030 22291200 4182690030 059379 809474 7090028 40472 059379 40021131 533023400 MACM029000 RIC0003049 67201300 GS3853 837223 RX94805041 SIR0109047 0140015 059379
4	107131	1	-	-	Baron Cookmax SIT	41826920070 41826920070 0140018
5	102831	2	-	-	Küppersbusch SIT Thielmann	540450 0140024 144400



fig.	GEV No.	flames	nozzle ø (mm)	gas connection (mm)	suitable for	Ref. No.
6	100126	1	-	-	Electrolux Gasco Offcar SIT Zanussi	002055 G1800410 865881 G1800410 002055
7	100094	1	-	-	Electrolux SIT Therma Zanussi	059214 0140102 059214 059214
8	107254	2	-	-	SIT	0145002



fig.	GEV No.	flames	nozzle ø (mm)	gas connection (mm)	suitable for	Ref. No.
9	107285	2	0.60/0.40	4	Falcon	531600050
9	107249	2	0.23/0.26	4	Falcon	531600055
9	107295	2	0.23/0.26	6	Falcon	537130070
10	106709	2	-	1/4" - 6.35	Blue Seal SIT	018691/51 0145028

Table continues overleaf



fig.	GEV No.	flames	nozzle ø (mm)	gas connection (mm)	suitable for	Ref. No.
11	107214	2	-	-	SIT	0145010
11	107215	2	-	-	SIT	0145007
12	102450	1	-	6	GIGA SIT	X14400 0150082
13	100170	1	-	-	Anitec GIGA SIT Star10	X13000 X13000 0150064 X13000

fig.	GEV No.	flames	nozzle ø (mm)	gas connection (mm)	suitable for	Ref. No.
14	107135	1	0.55	6	SIT	0150073
15	107451	1	0.23/0.26	6	Falcon	531750401
15	107247	2	0.60/0.55	6	Falcon	536000028
15	107248	2	0.60/0.55	4	Falcon	535100961
16	100159	2	0.23/0.26	4	Gico	790200900

fig.	GEV No.	flames	nozzle ø (mm)	gas connection (mm)	suitable for	Ref. No.
17	107232	2	-	-	Falcon SIT	535820022 0150085
18	106942	1	-	-	Gico SIT	A00407 0150086

accessories

pilot burner nozzles

fig.	GEV No.	gas type	code	Qty (pcs)	fig.	GEV No.	gas type	code	Qty (pcs)
1	100204	LPG	14	1	1	100207	NG	27	1
1	102604	LPG	14	5	1	102607	NG	27	5

screw pipe fittings

fig.	GEV No.	for pipe ø	Qty (pcs)	fig.	GEV No.	for pipe ø	Qty (pcs)
1	100897	4mm	1	3	100898	6mm	1
1	106737	4mm	5	3	106738	6mm	5
2	100908	4mm	1	4	100909	6mm	1
2	102508	4mm	5	4	102509	6mm	5

miscellaneous

fig.	GEV No.	description
1	100701	ignition electrode connection M4 Qty 1 pcs
1	106834	ignition electrode connection M4 Qty 5 pcs
2	100906	screw connection thread M10x1 Qty 1 pcs for igniter
2	102506	screw connection thread M10x1 Qty 5 pcs for igniter
3	100907	screw connection thread M10x1 Qty 1 pcs for thermocouple
3	102507	screw connection for thermocouple M10x1 Qty 5 pcs type SEF 1
4	100801	gasket for pilot burner Qty 1 pcs

fig.	GEV No.	description
5	100803	gasket for pilot burner Qty 1 pcs



160 series

fig.	GEV No.	flames	nozzle ø (mm)	gas connection (mm)	suitable for	Ref. No.
1	101898	3	-	-	Electrolux SIT Zanussi	0C0744 0160501 0C0744
2	100109	1	-	-	Alpeninox Angelo-Po Baron Cookmax Electrolux Juno Mareno Silko SIT Zanussi	0A2472 33A1630 MACM040800 CM040800 0A2472 0A2472 MACM040800 MACM040800 0160002 0A2472
3	100053	2	-	-	Angelo-Po Electrolux Lotus Öztiryakiler Silko SIT	33A0750 058383 533011500 6267.00023.05 SIR0100800 0160012

fig.	GEV No.	flames	nozzle ø (mm)	gas connection (mm)	suitable for	Ref. No.
4	100054	2	-	-	Angelo-Po Electrolux Gico Lotus Silko SIT Zanussi	33A0880 003204 A00281 533011500 SIR0100826 0160022 003204
5	100056	3	-	-	Baron Bertos Electrolux Gico GIGA Ilsa Jemi Lotus MBM-Italia Modular Multi Offcar Repagas SIT Star10 Zanussi	BN41826920370 27291100 058146 A00282 X17000 110159 998166 533011000 RTCU700464 67204200 672042 898969 00142184 0160032 X17000 058146

accessories

pilot burner nozzles

fig.	GEV No.	gas type	code	Qty (pcs)	fig.	GEV No.	gas type	code	Qty (pcs)
1	107649	LPG	20	1	1	107174	NG	41	1
1	107172	LPG	25	1	1	102502	NG	41	5
1	107650	LPG	30	1	1	102686	NG	45	1
1	107173	NG	35	1	1	107175	NG	51	1

screw pipe fittings

fig.	GEV No.	for pipe ø	Qty (pcs)	fig.	GEV No.	for pipe ø	Qty (pcs)
1	100870	4mm	1	3	101857	6mm	1
1	106735	4mm	5	3	106736	6mm	5
2	100908	4mm	1	4	100909	6mm	1
2	102508	4mm	5	4	102509	6mm	5

miscellaneous

fig.	GEV No.	description
1	100701	ignition electrode connection M4 Qty 1 pcs
1	106834	ignition electrode connection M4 Qty 5 pcs
2	100906	screw connection thread M10x1 Qty 1 pcs for igniter
2	102506	screw connection thread M10x1 Qty 5 pcs for igniter
3	100907	screw connection thread M10x1 Qty 1 pcs for thermocouple
3	102507	screw connection for thermocouple M10x1 Qty 5 pcs type SEF 1
4	100801	gasket for pilot burner Qty 1 pcs


190 series

fig.	GEV No.	flames	nozzle ø (mm)	gas connection (mm)	suitable for	Ref. No.
1	106722	3	0.35/0.51	6	Elframo Komel Repagas	00038491 00038491 64100007
2	100110	3	-	-	Baron Bartscher Electrolux Fage Firex Lincar Mareno SIT Zanussi	BN41826920110 030100000 002783 GRPILOTA 30100000 40021132 MA1949700 0190603 002783
3	107216	3	-	-	SIT	0190613



accessories


pilot burner nozzles



1

fig.	GEV No.	gas type	code	Qty (pcs)	fig.	GEV No.	gas type	code	Qty (pcs)
1	107649	LPG	20	1	1	107174	NG	41	1
1	107172	LPG	25	1	1	102502	NG	41	5
1	107650	LPG	30	1	1	102686	NG	45	1
1	107173	NG	35	1	1	107175	NG	51	1

screw pipe fittings




1 2 3 4

fig.	GEV No.	for pipe ø	Qty (pcs)	fig.	GEV No.	for pipe ø	Qty (pcs)
1	100870	4mm	1	3	101857	6mm	1
1	106735	4mm	5	3	106736	6mm	5
2	100908	4mm	1	4	100909	6mm	1
2	102508	4mm	5	4	102509	6mm	5


Oxipilot 9000 series

pilot burners



1 2 3


fig.	GEV No.	flames	gas type	nozzle	gas connection (mm)	Ref. No.
1	107217	2	LPG	-	4/6	84009202000
2	106926	2	LPG	no. 22	4	84009212000
3	107687	2	LPG	no. 22	4	84009223000



4 5 6

fig.	GEV No.	flames	gas type	nozzle	gas connection (mm)	Ref. No.
4	106927	2	LPG	no. 22	4/6	84009203000
5	106388	2	NG	no. 33	6	84009003000
6	106389	2	NG	no. 35	6	84009020000

accessories




1 2

fig.	GEV No.	description
1	107218	pilot burner nozzle LPG bore ø 0,22mm
1	107219	pilot burner nozzle natural gas bore ø 0,35mm
2	101602	locking screw thread M10x1 for pipe ø 1/4" Qty 1 pcs
2	100904	locking screw M10x1 for pipe ø 4mm Qty 1 pcs
2	102504	locking screw M10x1 for pipe ø 4mm Qty 5 pcs
2	100905	locking screw M10x1 for pipe ø 6mm Qty 1 pcs
2	102505	locking screw M10x1 for pipe ø 6mm Qty 5 pcs

JUNKERS


CB 502 series

pilot burners



1 2 3

fig.	GEV No.	type	gas type	nozzle	gas connection (mm)	version
1	100061	CB502031	NG	no.6	6	with primary air
2	100132	CB502032	town gas	no.4	4	with primary air
2	102910	CB502032	NG	no.6	4	with primary air
3	102843	CB502031	NG	no.6	6	with primary air



4 5

fig.	GEV No.	type	gas type	nozzle	gas connection (mm)	version
4	100085	CB502031	NG	no.6	6	with primary air
5	100062	CB502021	NG	no.6	6	with primary air



accessories

pilot burner nozzles



fig.	GEV No.	gas type	gas pressure (mbar)	code	Qty (pcs)
1	100221	LPG	30	29	1
1	102521	LPG	30	29	10
1	100222	LPG	50	5	1
1	102522	LPG	50	5	10
1	100227	NG	25	6	1
1	102527	NG	25	6	10
1	100228	town gas	8	4	1
1	102528	town gas	8	4	10

screw pipe fittings



fig.	GEV No.	Qty (pcs)	for pipe ø	fig.	GEV No.	Qty (pcs)	for pipe ø
1	101281	1	4mm	3	101287	1	6mm
1	102581	10	4mm	3	102587	10	6mm
2	101283	1	4mm	4	100909	1	6mm
2	102583	10	4mm	4	102509	5	6mm

miscellaneous



fig.	GEV No.	description
1	100704	ignition electrode D1 ø 9mm connection M4 D2 ø 11mm L1 17mm L2 17mm BL1 13mm BL2 4mm
2	100719	ignition electrode D1 ø 7mm connection M4 D2 ø 9mm L1 12mm L2 17mm BL1 18mm BL2 3mm BL3 23mm
3	101292	union screw for igniter suitable for CB 502/505 Qty 1 pcs
3	102592	union screw for igniter suitable for CB 502/505 Qty 10 pcs
4	101295	clamping collet for thermocouple suitable for CB 502/505 Qty 1 pcs
4	102595	clamping collet for thermocouple suitable for CB 502/505 Qty 10 pcs

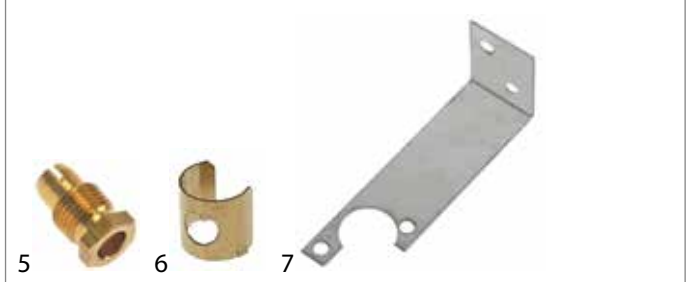


fig.	GEV No.	description
5	100907	screw connection thread M10x1 Qty 1 pcs for thermocouple
5	102507	screw connection for thermocouple M10x1 Qty 5 pcs
6	100900	air mixing sleeve for pilot burner Qty 1 pcs
6	552900	air mixing sleeve for pilot burner Qty 10 pcs
7	104377	bracket for pilot burner suitable for JUNKERS CB502_ L 104 mm
7	100852	bracket for pilot burner suitable for JUNKERS CB502_ SS L 84 mm



fig.	GEV No.	description
8	100851	cover for pilot burner suitable for SS
9	104379	cover for pilot burner suitable for
10	102644	cover for pilot burner

CB 503 series

pilot burners



fig.	GEV No.	type	gas type	nozzle	gas connection (mm)	version
1	106654	CB 503	-	-	-	with primary air
2	103184	CB 503	NG/LPG	26/2	4/6	with primary air
3	100118	CB503002	NG	no.3	4	with primary air
3	100101	CB503003	LPG	no.2	4	with primary air
3	100058	CB503006	NG	no.26	4	
3	100107	CB503009	LPG	no.10	4	no primary air
3	100080	CB503010	NG	no.4	4	no primary air



accessories

pilot burner nozzles

fig.	GEV No.	gas type	gas pressure (mbar)	code	Qty (pcs)
1	100225	LPG	30	39	1
1	102525	LPG	30	39	10
1	100220	LPG	50	2	1
1	102520	LPG	50	2	10
1	102523	NG	15	3	10
1	100223	NG	20	3	1
1	100224	NG	25	26	1
1	102524	NG	25	26	10
2	100260	LPG	50	10	1
2	102560	LPG	50	10	10
2	100218	NG	15	6	1
2	102518	NG	15	6	10
2	100261	NG	25	23	1
2	102661	NG	25	23	10

screw pipe fittings

fig.	GEV No.	Qty (pcs)	for pipe ø	fig.	GEV No.	Qty (pcs)	for pipe ø
1	101281	1	4mm	3	101287	1	6mm
1	102581	10	4mm	3	102587	10	6mm
2	101283	1	4mm	4	100909	1	6mm
2	102583	10	4mm	4	102509	5	6mm

miscellaneous

fig.	GEV No.	description
1	107494	cover cap for pilot burner
2	100966	cover for pilot burner bore ø 5,5mm

CB 505 series

pilot burners

fig.	GEV No.	type	gas type	nozzle	gas connection (mm)	version
1	100059	CB505004	NG	no.4	4	with primary air
2	100073	CB505018	NG	no.9	6	with primary air
3	100060	CB505070	NG	no.4	4	with primary air

fig.	GEV No.	type	gas type	nozzle	gas connection (mm)	version
4	100134	CB505101	NG	no.45	4	no primary air
5	100057	CB505102	NG	N° 48	4	no primary air
5	100102	CB505103	LPG	no. 46	4	no primary air
6	100135	CB505105	NG	no.45	4	no primary air
6	100081	CB505111	NG	no.44	4	no primary air
6	100116	CB505122	LPG	no.42	4	no primary air

fig.	GEV No.	type	gas type	nozzle	gas connection (mm)	version
7	100138	CB505137	NG	no.64	4	no primary air

accessories

pilot burner nozzles

fig.	GEV No.	gas type	code	Qty (pcs)	fig.	GEV No.	gas type	code	Qty (pcs)
1	100230	LPG	2	1	2	100212	LPG	42	1
1	102530	LPG	2	10	2	102512	LPG	42	10
1	100217	LPG	3	1	2	100211	NG	44	1
1	102519	LPG	3	10	2	102511	NG	44	10
1	100233	LPG	8	1	2	100213	NG	45	1
1	102533	LPG	8	10	2	102513	NG	45	10
1	100231	NG	4	1	2	100237	NG	48	1
1	102531	NG	4	10	2	102537	NG	48	10
1	100232	NG	9	1	3	100210	LPG	46	1
1	102532	NG	9	10	3	102510	LPG	46	10
1	100234	NG	14	1	3	107159	LPG	49	1
1	102534	NG	14	10	3	100229	NG	52	1



screw pipe fittings



fig.	GEV No.	Qty (pcs)	for pipe ø	fig.	GEV No.	Qty (pcs)	for pipe ø
1	101282	1	4mm	3	101288	1	6mm
1	102582	10	4mm	3	102588	10	6mm
2	101283	1	4mm	4	100909	1	6mm
2	102583	10	4mm	4	102509	5	6mm

miscellaneous



fig.	GEV No.	description
1	100703	ignition electrode D1 ø 9mm connection M4
2	100702	ignition electrode D1 ø 9mm D2 ø 11mm L1 13mm
3	101292	union screw for igniter suitable for CB 502/505
3	102592	union screw for igniter suitable for CB 502/505
4	101295	clamping collet for thermocouple
4	102595	clamping collet for thermocouple




fig.	GEV No.	description
5	102842	gasket for pilot burner 65x18
6	100805	gasket for pilot burner fibre
7	100802	gasket for pilot burner

BZ1 series

pilot burners



fig.	GEV No.	description
1	100072	pilot burner JUNKERS type BZ1D1Z/BZ1D5Z

POLIDORO

pilot burners




fig.	GEV No.	flames	gas type	code	gas connection (mm)	suitable for
1	100867	3	-	-	-	Giorik
2	104485	2	NG	29.2	6	Elframo Komel Repagas
3	107356	3	NG	29.2	6	Falcon




fig.	GEV No.	flames	gas type	code	gas connection (mm)	suitable for
4	107425	3	NG	29.2	6	Falcon
5	107577	2	-	-	6	OEM
6	100863	2	-	-	6	Olis




fig.	GEV No.	flames	gas type	code	gas connection (mm)	suitable for
7	102982	3	-	-	6	Arris/Grillvapor
8	100051	3	-	-	-	Baron Electrolux Emmepi Giorik Offcar Silko Zanussi
9	106680	3	NG	27.2	6	Emmepi













fig.	GEV No.	flames	gas type	code	gas connection (mm)	suitable for
10	103186	3	NG/LPG	20/40	4/6	—
11	100162	3	-	-	-	Bertos Emmepi
12	106837	3	NG	27.2	-	Cooking-Systems Eurast



						
13	14	15				
fig.	GEV No.	flames	gas type	code	gas connection (mm)	suitable for
13	107424	3	NG	29.2	6	Falcon
14	102295	3	-	-	4	Bartscher Gico Rosinox
15	100148	3	LPG	20	-	Emmepi

						
16	17	18				
fig.	GEV No.	flames	gas type	code	gas connection (mm)	suitable for
16	103187	3	NG/LPG	20/40	4/6	—
17	102800	3	-	-	6	Baron Fagor Lotus
18	102876	3	-	-	6	Fagor

						
19	20	21				
fig.	GEV No.	flames	gas type	code	gas connection (mm)	suitable for
19	100079	3	-	-	-	Ambach Krefft Palux Universo
20	100972	3	-	-	-	Ambach
21	100076	3	NG	29.2	6	Baron Cookmax Emmepi Fryland Gico Giorik MBM-Italia Olis Silko





accessories						
	1					
fig.	GEV No.	description	ø (mm)	code	gas type	Qty (pcs)
1	100208	pilot burner nozzle	0.2	20	LPG	1
1	102608	pilot burner nozzle	0.2	20	LPG	5
1	100000	pilot burner nozzle	0.22	22	LPG	1
1	106705	pilot burner nozzle	0.38	38-R	LPG	1
1	100209	pilot burner nozzle	0.4	40	NG	1
1	102609	pilot burner nozzle	0.4	40	NG	5

fig.	GEV No.	description	ø (mm)	code	gas type	Qty (pcs)
1	106704	pilot burner nozzle	2x0.16	16.2	LPG	1
1	107704	pilot burner nozzle	2x0.16	16.2	LPG	5
1	102699	pilot burner nozzle	2x0.25	25.2	NG	1
1	106703	pilot burner nozzle	2x0.27	27.2	NG	1
1	104486	pilot burner nozzle	2x0.29	29.2	NG	1

				
1	2	3	4	
fig.	GEV No.	description	for pipe ø	Qty (pcs)
1	102795	olive	4mm	1
1	106739	olive	4mm	5
2	100908	union screw	4mm	1
2	102508	union screw	4mm	5
3	102797	olive	6mm	1
3	106740	olive	6mm	5
4	100909	union screw	6mm	1
4	102509	union screw	6mm	5

		
1	2	3
fig.	GEV No.	description
1	100701	ignition electrode connection M4 Qty 1 pcs
1	106834	ignition electrode connection M4 Qty 5 pcs
2	100906	screw connection thread M10x1 Qty 1 pcs for igniter
2	102506	screw connection thread M10x1 Qty 5 pcs for igniter
3	102677	screw connection for thermocouple M10x1 ID ø 6mm Qty 1 pcs
3	100907	screw connection thread M10x1 Qty 1 pcs for thermocouple
3	102507	screw connection for thermocouple M10x1 Qty 5 pcs

ROBERTSHAW

pilot burners

universal series - type 2



						
1	2	3				
fig.	GEV No.	type	gas type	code	for pipe ø	suitable for
1	100117	2CH-1	NG	18	1/4" CCT	Robertshaw Vulcan
2	106078	2C-2	NG	18	3/16" - 1/4" CCT	Garland Robertshaw
3	107402	2C-2	NG/LPG	18/10	1/4" CCT	Robertshaw Vulcan



fig.	GEV No.	type	gas type	code	for pipe ø	suitable for
4	107404	2CH-2	NG	18	1/4" CCT	Keating Robertshaw Wolf
5	107405	2CH-6	NG/LPG	18/10	1/4" CCT	Garland Robertshaw
6	106079	2CHL-6	NG	18	1/4" CCT	Robertshaw



fig.	GEV No.	type	gas type	code	for pipe ø	suitable for
7	107407	2CH-10	NG	21	3/16" CCT	Garland Robertshaw Southbend U.S. Range

universal series - type 3



fig.	GEV No.	type	gas type	code	for pipe ø	suitable for
1	106872	3CHA-1	NG/LPG	18/10	1/4" CCT	Robertshaw
2	107399	3CH-4	NG/LPG	18/10	1/4" CCT	Garland Robertshaw
3	580034	3CH-6	NG	18	1/4" CCT	Falcon Garland Robertshaw



fig.	GEV No.	type	gas type	code	for pipe ø	suitable for
4	106083	3CHL-6	NG	18	1/4" CCT	Falcon Robertshaw
5	107398	3CH-10	NG/LPG	16/10	1/4" CCT	Robertshaw

universal series - type 4



fig.	GEV No.	type	gas type	code	for pipe ø	suitable for
1	106084	4CH-1	NG	18	1/4" CCT	Robertshaw
2	580050	4CH-6	LPG	16	1/4" CCT	Pitco Robertshaw
3	106085	4CH-10	NG	18	1/4" CCT	Robertshaw

universal series - type 5



fig.	GEV No.	type	gas type	code	for pipe ø	suitable for
1	106348	5CL-2	NG	18	3/16" CCT	Imperial-USA
2	106088	5CHL-1	-	-	-	Lincat Robertshaw
3	106116	5CHL-1	NG	18	1/4" CCT	Robertshaw



fig.	GEV No.	type	gas type	code	for pipe ø	suitable for
4	106204	5CHR-1	LPG	16	1/4" CCT	Robertshaw
5	106345	5CHL-6	LPG	11	1/4" CCT	Imperial-USA
5	106344	5CHL-6	NG	18	1/4" CCT	Imperial-USA



universal series - type 6

Width of caps: 6CH10 = 1" (25,4mm)
 6CH14 = 1½" (38,1mm)
 6CH24 = 2½" (63,5mm)
 6CH30 = 3" (76,2mm)



fig.	GEV No.	type	gas type	code	for pipe ø	suitable for
1	106091	6CH10-1	NG	26	1/4" CCT	Robertshaw
2	106092	6CH14-1	NG	26	1/4" CCT	Falcon Robertshaw
2	107467	6CH14-1	NG	22	1/4" CCT	Aliberinox Robertshaw
3	106077	6CH24-1	-	-	-	Robertshaw



fig.	GEV No.	type	gas type	code	for pipe ø	suitable for
4	106137	6CH24-1	LPG	16	1/4" CCT	Robertshaw
4	107269	6CH24-1	NG	22	1/4" CCT	Falcon
4	106117	6CH24-1	NG	26	1/4" CCT	Falcon Garland Lincat Robertshaw
5	107394	6CH14-2	NG	26	1/4" CCT	Frymaster Robertshaw
6	106090	6CH30-4	NG	26	1/4" CCT	Robertshaw
7	107677	6CH14-6	LPG	16	1/4" CCT	Pitco Robertshaw
7	107676	6CH14-6	NG	22	1/4" CCT	Pitco Robertshaw



fig.	GEV No.	type	gas type	code	for pipe ø	suitable for
8	107396	6CH24-6	NG/LPG	16/26	1/4" CCT	Pitco Robertshaw Vulcan
9	106347	6CH14-10	LPG	11	1/4" CCT	Imperial-USA
9	106375	6CH14-10	LPG	16	1/4" CCT	Imperial-USA
9	106346	6CH14-10	NG	22	1/4" CCT	American Dryer Anets Cecilware / Grindmaster Imperial-Germany Imperial-USA Morice Robertshaw Southbend Vulcan

universal series with electrodes



fig.	GEV No.	type	gas type	code	for pipe ø	suitable for
1	106093	2S-2ER	NG	18	1/4" CCT	Robertshaw
2	107401	3S-2	NG	18	1/4" CCT	Lang Robertshaw Star-Manufacturing
3	107388	3SL-2	NG/LPG	18/10	1/4" CCT	Robertshaw



fig.	GEV No.	type	gas type	code	for pipe ø	suitable for
4	107400	3SL-20	NG	18	1/4" CCT	Lang Robertshaw Star-Manufacturing
5	107271	4SHR-44	NG	18	1/4" CCT	Falcon
5	106086	4SHR-44	NG	26	1/4" CCT	Falcon Robertshaw
5	107270	4SHR-44	LPG	11	1/4" CCT	Falcon
5	106087	4SHR-44	LPG	16	1/4" CCT	Falcon Robertshaw
6	106349	5SL-2	NG	18	3/16" CCT	Imperial-USA Robertshaw



fig.	GEV No.	type	gas type	code	for pipe ø	suitable for
7	106096	6S14-1	NG	26	1/4" CCT	Robertshaw
8	106095	6S24-1	NG	26	1/4" CCT	Robertshaw
9	106094	6S14-2R	NG	26	1/4" CCT	Henny-Penny Parry Robertshaw



fig.	GEV No.	type	gas type	code	for pipe ø	suitable for
10	106097	6SH24-6	NG	26	1/4" CCT	Parry Robertshaw
11	107395	6SW14-21E	NG/LPG	22/16	1/4" CCT	Pitco Robertshaw
12	107661	6SW14-21E	LPG	16	1/4" CCT	Pitco Robertshaw

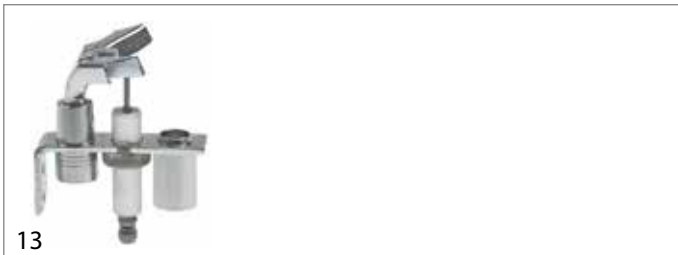


fig.	GEV No.	type	gas type	code	for pipe ø	suitable for
13	107678	W1350	-	-	-	Pitco

9B series



fig.	GEV No.	type	gas type	code	for pipe ø	suitable for
1	106437	9B	NG/LPG	-	3/16" - 1/4" CCT	Robertshaw
2	106099	9BV	NG/LPG	-	1/4" CCT	Robertshaw
3	106100	9BV3	NG/LPG	-	1/4" CCT	Robertshaw

11EA series



fig.	GEV No.	type	gas type	code	for pipe ø	suitable for
1	106102	11EA	LPG	-	-	Robertshaw
1	106103	11EA	NG	-	-	Robertshaw
2	107411	11EA	LPG	10	3/16" - 1/4" CCT	Bakers Pride Robertshaw
2	107412	11EA	NG	-	3/16" - 1/4" CCT	Bakers Pride Franklin Chef Robertshaw Southbend Vulcan Wolf

Mini Pilot series



fig.	GEV No.	type	gas type	code	for pipe ø	suitable for
1	107414	2	NG/LPG	-	3/16" - 1/4" CCT	Duke Garland Vulcan

accessories



fig.	GEV No.	description
1	106109	locking screw thread 7/16"-24 UNS for pipe ø 1/4"
1	106111	locking screw thread 7/16"-24 UNS for pipe ø 1/4"
2	101481	olive for pipe ø 1/4" CCT Qty 1 pcs
3	100275	pilot burner nozzle LPG code 10 bore ø 0,1mm
4	106107	pilot burner nozzle LPG code 11
4	106106	pilot burner nozzle LPG code 14
4	106105	pilot burner nozzle LPG code 16
4	100276	pilot burner nozzle natural gas code 18
4	106108	pilot burner nozzle natural gas code 22
4	100277	pilot burner nozzle natural gas code 26
5	106112	thermocouple screw connection 7/16"



6		7	
fig.	GEV No.	description	
6	101483	union nut 1/4" CCT short	
7	101482	union nut 1/4" long	

HONEYWELL

pilot burners

1		2		3	
fig.	GEV No.	description			
1	102490	pilot burner 1 flame			
2	102885	pilot burner 1 flame			
3	102886	pilot burner 1 flame			

4		5		6	
fig.	GEV No.	description			
4	102887	pilot burner HONEYWELL type Q327 3 flames			
5	107495	pilot burner HONEYWELL type Q327 3 flames natural gas nozzle type NE22			
6	107409	pilot burner HONEYWELL type Q3451B1186 1237 1 flame natural gas nozzle type BCR18 1/4"			

7		8		9	
fig.	GEV No.	description			
7	107410	pilot burner HONEYWELL type Q3451B1301 1315 1 flame natural gas nozzle type BCR20 1/4"			
8	107448	pilot burner HONEYWELL type Q345A 1313 2 flames natural/liquid gas nozzle type BCR18/BBR10 1/4"			
8	107408	pilot burner HONEYWELL type Q345AFB 1240 1 flame natural gas nozzle type BCR18 1/4"			
9	106939	pilot burner HONEYWELL type Q349A1124 1 Typ 27			

10		
fig.	GEV No.	description
10	107397	pilot burner type Q348AC1 1144 3 flames natural gas 1/4" nozzle type NE22

accessories

1		2		3	
fig.	GEV No.	description			
1	102892	ignition electrode D1 ø 6mm L1 22mm BL1 25mm			
2	102981	ignition electrode D1 ø 7 mm L1 30 mm BL1 24 mm			
3	104637	ignition electrode flange length 48 mm			

4		5		6		7	
fig.	GEV No.	description					
4	102905	locking screw M11x1 ø 6mm					
5	101494	locking screw thread M11x1 for pipe ø 6mm					
6	102889	pilot burner nozzle HONEYWELL LPG bore ø 0,25mm					
6	102888	pilot burner nozzle HONEYWELL natural gas					
7	102891	pilot burner nozzle HONEYWELL LPG code KR14					

8		9	
fig.	GEV No.	description	
8	106938	pilot burner nozzle HONEYWELL natural gas	
9	107496	pilot burner nozzle HONEYWELL natural gas	

ARC

04 series

1		
fig.	GEV No.	description
1	107481	pilot burner 1 flame LPG code 20
1	107482	pilot burner 1 flame natural gas code 40



fig.	GEV No.	description
1	107186	pilot burner head M8x0.75 IT
2	107187	pilot burner centre part M8x0.75
3	107483	pilot burner bottom part LPG code 20
3	107484	pilot burner bottom part natural gas code 40
4	107505	pilot burner bottom part LPG nozzle \varnothing 0,21mm

65 series

fig.	GEV No.	description	Ref. No.
1	107485	pilot burner LPG code 20	C5815249M
1	107486	pilot burner natural gas code 40	—

fig.	GEV No.	description
1	106844	pilot burner 1 flame
2	106845	pilot burner centre part \varnothing 8mm
3	106839	pilot burner bottom part inlet M10x1 IT Qty 1 pcs outlet M6x0,75
4	697942	gasket for pilot burner \varnothing 35,5mm thickness 1mm

AEM

pilot burners

fig.	GEV No.	description
1	102480	pilot burner 1 flame gas connection 6mm mounting thread M4
1	107529	pilot burner 1 flame LPG nozzle \varnothing 0,22mm gas connection 6mm
1	107528	pilot burner 1 flame natural gas nozzle \varnothing 0,4mm gas connection 6mm
2	102906	pilot burner 1 flame gas connection 6mm mounting thread M5
3	102481	pilot burner 1 flame gas connection 6mm mounting thread M4

accessories

fig.	GEV No.	description
1	102709	pilot burner cap 1 flame
2	102718	pilot burner bottom part curved ET M10x0.75 IT 7/32" (28G) IT 1 M10x1
3	103107	pilot burner bottom part ET M10x0.75 IT M5x0.75 IT 1 M10x1 L 18,5mm WS 12
4	102719	pilot burner bottom part ET M10x0.75 IT 7/32" (28G) IT 1 M10x1 L 18,5mm WS 12
5	106894	air mixer ET M10x1 IT M10x0.75 WS 14 L1 28mm L2 23mm L3 19mm \varnothing 12,5mm
6	106892	air mixing sleeve type AEM for pilot burner

fig.	GEV No.	description
7	106893	union screw ID \varnothing 6mm M10x1

AB

pilot burners

H2

fig.	GEV No.	type	flames	gas connection
1	107699	B10H2	1	7/16"x24 UNS
2	107712	B1H2	1	7/16"x24 UNS
3	107721	B2H2	1	7/16"x24 UNS

fig.	GEV No.	type	flames	gas connection
4	107734	B2H2(180°)	1	7/16"x24 UNS
5	107728	B6H2	1	7/16"x24 UNS



H3

fig.	GEV No.	type	flames	gas connection
1	107713	B1H3	2	7/16"x24 UNS
2	107714	B1H3(180°)	2	7/16"x24 UNS
3	107722	B2H3	2	7/16"x24 UNS

fig.	GEV No.	type	flames	gas connection
4	107723	B2H3(180°)	2	7/16"x24 UNS
5	107726	B4H3	2	7/16"x24 UNS
6	107729	B6H3	2	7/16"x24 UNS

fig.	GEV No.	type	flames	gas connection
7	107730	B6H3(180°)	2	7/16"x24 UNS

H4

fig.	GEV No.	type	flames	gas connection
1	107715	B1H4	3	7/16"x24 UNS
2	107731	B6H4	3	7/16"x24 UNS

H5

fig.	GEV No.	type	flames	gas connection
1	107716	B1H5(L)	2	7/16"x24 UNS
2	107717	B1H5(R)	2	7/16"x24 UNS
3	107732	B6H5	2	7/16"x24 UNS

H6

*Width of caps: H6A = 1" (25,4mm)
 H6B = 1½" (38,1mm)
 H6C = 2½" (63,5mm)
 H6D = 3" (76,2mm)*

fig.	GEV No.	type	flames	gas connection
1	107703	B10H6B	3	7/16"x24 UNS
2	107718	B1H6A	3	7/16"x24 UNS
3	107719	B1H6B	3	7/16"x24 UNS

fig.	GEV No.	type	flames	gas connection
4	107720	B1H6C	3	7/16"x24 UNS
5	107724	B2H6B	3	7/16"x24 UNS
6	107725	B2H6C	3	7/16"x24 UNS
7	107727	B4H6D	3	7/16"x24 UNS

fig.	GEV No.	type	flames	gas connection
8	107733	B6H6B	3	7/16"x24 UNS
9	107735	B9H6C	3	7/16"x24 UNS



accessories



fig.	GEV No.	description
1	106109	locking screw thread 7/16"-24 UNS for pipe ø 1/4"
1	106111	locking screw thread 7/16"-24 UNS for pipe ø 1/4"
2	101481	olive for pipe ø 1/4" CCT Qty 1 pcs
3	100275	pilot burner nozzle LPG code 10 bore ø 0,1mm
4	106107	pilot burner nozzle LPG code 11
4	106106	pilot burner nozzle LPG code 14
4	106105	pilot burner nozzle LPG code 16
4	100276	pilot burner nozzle natural gas code 18
4	106108	pilot burner nozzle natural gas code 22
4	100277	pilot burner nozzle natural gas code 26
5	106112	thermocouple screw connection 7/16"



fig.	GEV No.	description
6	101483	union nut 1/4" CCT short
7	101482	union nut 1/4" long

universal series - type 2



fig.	GEV No.	type	flames	gas connection
1	107736	B24H17	2	6mm
2	107737	SW9000	3	6mm

accessories



fig.	GEV No.	description
1	106920	pilot burner nozzle LPG code 20 Qty 5 pcs
1	100203	pilot burner nozzle LPG code 25 Qty 1 pcs
1	102503	pilot burner nozzle LPG code 25 Qty 5 pcs
1	102698	pilot burner nozzle natural gas code 35 Qty 1 pcs
1	106921	pilot burner nozzle natural gas code 35 Qty 5 pcs
1	100202	pilot burner nozzle natural gas code 41 Qty 1 pcs
1	102502	pilot burner nozzle natural gas code 41 Qty 5 pcs
1	100869	pilot burner nozzle natural gas code 51 Qty 1 pcs
2	101857	olive for pipe ø 6mm Qty 1 pcs
3	100909	union screw thread M10x1 for pipe ø 6mm Qty 1 pcs
3	102509	union screw thread M10x1 for pipe ø 6mm Qty 5 pcs
4	100905	locking screw M10x1 for pipe ø 6mm Qty 1 pcs
4	102505	locking screw M10x1 for pipe ø 6mm Qty 5 pcs
5	102507	screw connection for thermocouple M10x1 Qty 5 pcs
5	100907	screw connection thread M10x1 Qty 1 pcs

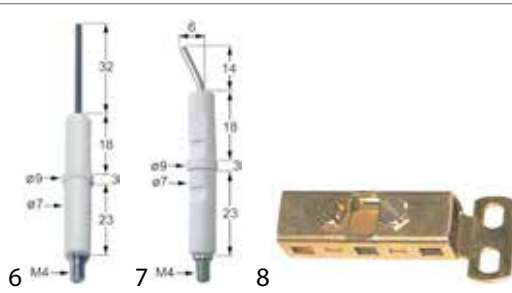


fig.	GEV No.	description
3	100906	screw connection thread M10x1 Qty 1 pcs
3	102506	screw connection thread M10x1 Qty 5 pcs
6	100701	ignition electrode connection M4 Qty 1 pcs
7	100706	ignition electrode connection M4 Qty 1 pcs
8	100855	pilot burner bracket triple

ERTA




fig.	GEV No.	flames	gas type	code	gas connection (mm)	version
1	102967	2	NG		6	right
2	102971	2	NG	14	6	left
3	102975	2	NG	14	6	right

Unable to find the right part?




You will find even more catering spare parts in the GEV Webshop


1

fig.	GEV No.	description	gas type	code	Qty (pcs)
1	100230	pilot burner nozzle	LPG	2	1
1	102530	pilot burner nozzle	LPG	2	10
1	100217	pilot burner nozzle	LPG	3	1
1	102519	pilot burner nozzle	LPG	3	10
1	100233	pilot burner nozzle	LPG	8	1
1	102533	pilot burner nozzle	LPG	8	10
1	100231	pilot burner nozzle	NG	4	1
1	102531	pilot burner nozzle	NG	4	10
1	100232	pilot burner nozzle	NG	9	1
1	102532	pilot burner nozzle	NG	9	10
1	100234	pilot burner nozzle	NG	14	1
1	102534	pilot burner nozzle	NG	14	10



1 2 3 4

fig.	GEV No.	description	for pipe ø	Qty (pcs)
1	101282	olive	4mm	1
1	102582	olive	4mm	10
2	101283	union screw	4mm	1
2	102583	union screw	4mm	10
3	101288	olive	6mm	1
3	102588	olive	6mm	10
4	100909	union screw	6mm	1
4	102509	union screw	6mm	5



1 2

fig.	GEV No.	description
1	100701	ignition electrode connection M4 Qty 1 pcs
1	106834	ignition electrode connection M4 Qty 5 pcs
2	100906	screw connection thread M10x1 Qty 1 pcs for igniter
2	102506	screw connection thread M10x1 Qty 5 pcs for igniter


BASO

pilot burners



1 2 3

fig.	GEV No.	type	flames
1	107415	J129DDA W1250	2
1	107416	J963DDA W1125	3
1	107417	J986MDA W1309	3
2	107406	J184EKA W1134	1
3	107389	J989FTW-1C	3



4 5

fig.	GEV No.	type	flames
4	107390	J990FTW-1C	3
5	107368	J990MDA-2	2

GAI


pilot burners



1 2 3

fig.	GEV No.	flames	version	L (mm)
1	107325	1	without nozzle	36
2	107326	1	without nozzle	46
3	107327	1	without nozzle	60
3	107328	1	without nozzle	85

accessories



1

fig.	GEV No.	description
1	107329	pilot burner nozzle GAI LPG M4,5x0,5 WS 4
1	107330	pilot burner nozzle GAI natural gas M4,5x0,5 WS 4



WHITE ROGERS



fig.	GEV No.	type	flames	gas type	version
1	107366	262A38	2	NG	1/4"
1	107393	262A38 1112	2	NG	1/4"
1	107392	262A38 1310	2	LPG	1/4"
2	107419	262A38 0407	2	NG	1/4"

producer-specific pilot burners

AMBACH

GR_ / GRG_ series (version 1)



fig.	GEV No.	description	thread	pipe connection	gas type	Ref. No.
1	107489	pilot burner	M8	ø4mm	NG/LPG	—
1	107490	pilot burner	M10	ø4mm	NG/LPG	—



fig.	GEV No.	description	ø (mm)	Qty (pcs)
1	100255	pilot burner nozzle	0.2	1
1	102555	pilot burner nozzle	0.2	5
1	102770	pilot burner nozzle	0.25	1
1	106748	pilot burner nozzle	0.3	1
1	100252	pilot burner nozzle	0.35	1
1	102552	pilot burner nozzle	0.35	5
1	103209	pilot burner nozzle	0.37	1
1	100256	pilot burner nozzle	0.4	1
1	102556	pilot burner nozzle	0.4	5
1	107351	pilot burner nozzle	0.8	1

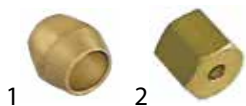


fig.	GEV No.	description	for pipe ø	Qty (pcs)
1	101284	olive	4mm	1
1	102584	olive	4mm	10
2	101294	union nut	4mm	1

fig.	GEV No.	description
1	100087	pilot burner cap thread M8
1	100096	pilot burner cap thread M10x1
2	101293	flat gasket aluminium D1 ø 14mm D2 ø 10,3mm for pilot burner Qty 1 pcs

GRG_ series (version 2)



fig.	GEV No.	description	Ref. No.
1	100091	pilot burner without nozzle	5024708680



fig.	GEV No.	description	gas type	code	Qty (pcs)
1	107649	pilot burner nozzle	LPG	20	1
1	107172	pilot burner nozzle	LPG	25	1
1	107650	pilot burner nozzle	LPG	30	1
1	107173	pilot burner nozzle	NG	35	1
1	107174	pilot burner nozzle	NG	41	1
1	102686	pilot burner nozzle	NG	45	1
1	107175	pilot burner nozzle	NG	51	1

fig.	GEV No.	description	for pipe ø	Qty (pcs)
1	100870	olive	4mm	1
1	106735	olive	4mm	5
2	101283	union screw	4mm	1
2	102583	union screw	4mm	10
3	101857	olive	6mm	1
3	106736	olive	6mm	5
4	100909	union screw	6mm	1
4	102509	union screw	6mm	5



fig.	GEV No.	description
1	100919	compression spring ø 14mm L 40mm wire gauge ø 1,15mm
2	101945	pilot burner bracket suitable for Ambach

ANGELO PO

Junior / Senior series

fig.	GEV No.	description	Ref. No.
1	100187	pilot burner SIT type 100 series 2 flames nozzle ø 0,25mm	6000280

Combi / Major series

fig.	GEV No.	description	flames	gas connection (mm)	version	Ref. No.
1	101777	pilot burner	-	-	without nozzle	34A0010
2	100065	pilot burner	1	-	without nozzle	6000170

fig.	GEV No.	description	gas type	code	Qty (pcs)
1	100220	pilot burner nozzle	LPG	2	1
1	102520	pilot burner nozzle	LPG	2	10
1	100225	pilot burner nozzle	LPG	39	1
1	102525	pilot burner nozzle	LPG	39	10
1	100224	pilot burner nozzle	NG	26	1
1	102524	pilot burner nozzle	NG	26	10
2	100253	pilot burner nozzle	LPG	2	1
2	100240	pilot burner nozzle	LPG	39	
2	100241	pilot burner nozzle	NG	13	1

fig.	GEV No.	description	for pipe ø	Qty (pcs)
1	101282	olive	4mm	1
1	102582	olive	4mm	10
2	100909	union screw	6mm	1
2	102509	union screw	6mm	5

fig.	GEV No.	description
1	100831	pilot burner head Qty 1 pcs
1	102631	pilot burner head Qty 5 pcs

new series

fig.	GEV No.	flames	gas connection (mm)	version	Ref. No.
1	107541	2	4/6	without nozzle	—

fig.	GEV No.	description
1	102993	pilot burner 2 flames
2	102992	pilot burner
3	102995	pilot burner
4	102994	union screw M12x1
5	102996	pilot burner cover plug
6	102997	O-ring EPDM thickness 1mm ID ø 6mm Qty 1 pcs



ASCOBLOC

AGH_series (version 1)

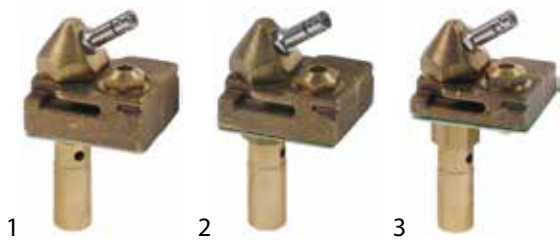


fig.	GEV No.	description
1	102956	pilot burner type C without nozzle
2	102957	pilot burner type D without nozzle
3	102958	pilot burner type E without nozzle



fig.	GEV No.	description	gas type	ø (mm)	gas pressure (mbar)
1	101849	pilot burner nozzle	LPG	0.16	50
1	101589	pilot burner nozzle	LPG	0.18	50
1	101534	pilot burner nozzle	LPG	0.19	50
1	100235	pilot burner nozzle	LPG	0.2	50
1	101864	pilot burner nozzle	LPG	0.24	30
1	100979	pilot burner nozzle	LPG	0.25	30
1	101543	pilot burner nozzle	NG	0.3	20
1	101588	pilot burner nozzle	NG	0.32	20
1	100236	pilot burner nozzle	NG	0.35	20
1	101865	pilot burner nozzle	NG	0.41	20



fig.	GEV No.	description	for pipe ø	Qty (pcs)
1	101284	olive	4mm	1
1	102584	olive	4mm	10
2	101285	union screw	4mm	1
2	102585	union screw	4mm	10



fig.	GEV No.	description
1	103219	pilot burner slit width 0,8mm bore ø 3mm total length 50mm WS 20
2	101843	base plate for pilot burner H 18mm C
2	101844	base plate for pilot burner H 15mm D
2	101845	base plate for pilot burner H 11mm E
3	102962	base plate for pilot burner H 18mm C
3	102963	base plate for pilot burner H 15mm D
3	102964	base plate for pilot burner H 11mm E



fig.	GEV No.	description
4	101587	gasket for pilot burner without ignition electrode
5	101835	pilot burner bottom part C
5	101834	pilot burner bottom part D
5	101586	pilot burner bottom part E
6	102966	air mixing sleeve ø 10mm H 8mm
7	102965	ignition electrode connection F 2,8x0,8mm



fig.	GEV No.	description
8	101841	igniter screw M12x1
9	101839	screw connection for thermocouple bore ø 5mm M12x1 WS 12 brass
10	101842	cap for pilot burner

AGH_series (version 2)

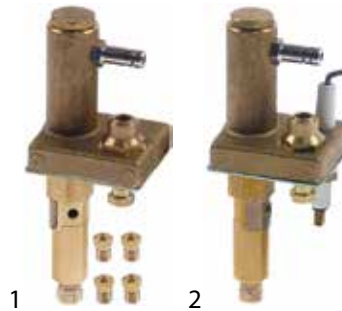


fig.	GEV No.	description
1	101529	pilot burner type E incl. nozzles 0.18mm / 0.20mm / 0.32mm / 0.35mm
2	102640	pilot burner type E without nozzle



fig.	GEV No.	description	gas type	ø (mm)	gas pressure (mbar)
1	101849	pilot burner nozzle	LPG	0.16	50
1	101589	pilot burner nozzle	LPG	0.18	50
1	101534	pilot burner nozzle	LPG	0.19	50
1	100235	pilot burner nozzle	LPG	0.2	50
1	101864	pilot burner nozzle	LPG	0.24	30
1	100979	pilot burner nozzle	LPG	0.25	30
1	101543	pilot burner nozzle	NG	0.3	20
1	101588	pilot burner nozzle	NG	0.32	20
1	100236	pilot burner nozzle	NG	0.35	20
1	101865	pilot burner nozzle	NG	0.41	20



fig.	GEV No.	description	for pipe ø	Qty (pcs)
1	101284	olive	4mm	1
1	102584	olive	4mm	10
2	101285	union screw	4mm	1
2	102585	union screw	4mm	10

fig.	GEV No.	description
1	101582	pilot burner cap
2	102833	pilot burner cap with screw connection for igniton electrode
3	101587	gasket for pilot burner without ignition electrode
3	101781	gasket for pilot burner with ignition electrode

fig.	GEV No.	description
4	101583	pilot burner head slit width 0,8mm bore ø 3mm ø 6mm M7x0,75mm total length 22mm WS 8
5	101586	pilot burner bottom part E
6	101779	ignition electrode D1 ø 7mm connection M4 D2 ø 9mm L1 10mm L2 5mm BL1 18mm BL2 3mm BL3 23mm to clip
7	100906	screw connection thread M10x1 Qty 1 pcs for igniter
8	101585	thermocouple screw connection

fig.	GEV No.	description
9	101584	cap M12x1
10	101848	cover for pilot burner

ATA

fig.	GEV No.	description	Ref. No.
1	107189	pilot burner SIT 1 flame nozzle ø 0,2mm	K22015

fig.	GEV No.	description	gas type	ø (mm)	Qty (pcs)
1	100245	pilot burner nozzle	LPG	0.2	1
1	102545	pilot burner nozzle	LPG	0.2	5
1	100246	pilot burner nozzle	NG	0.35	1
1	102546	pilot burner nozzle	NG	0.35	5
1	102972	pilot burner nozzle	NG	0.4	1

fig.	GEV No.	description	for pipe ø	Qty (pcs)
1	100904	locking screw	4mm	1
1	102504	locking screw	4mm	5
1	100905	locking screw	6mm	1
1	102505	locking screw	6mm	5

BARON

600 series

fig.	GEV No.	description	Ref. No.
1	101899	pilot burner type angled suitable for BARON	BN41822410311
2	101929	mushroom cap suitable for BARON	BN41822160361





fig.	GEV No.	description	gas type	code	Qty (pcs)
1	107649	pilot burner nozzle	LPG	20	1
1	107172	pilot burner nozzle	LPG	25	1
1	107650	pilot burner nozzle	LPG	30	1
1	107173	pilot burner nozzle	NG	35	1
1	107174	pilot burner nozzle	NG	41	1
1	102686	pilot burner nozzle	NG	45	1
1	107175	pilot burner nozzle	NG	51	1



fig.	GEV No.	description	for pipe ø	Qty (pcs)
1	100870	olive	4mm	1
1	106735	olive	4mm	5
2	101283	union screw	4mm	1
2	102583	union screw	4mm	10
3	101857	olive	6mm	1
3	106736	olive	6mm	5
4	100909	union screw	6mm	1
4	102509	union screw	6mm	5

700 / 900 / GIANO 110 / GIANO 140 series




fig.	GEV No.	description	Ref. No.
1	107487	pilot burner natural/liquid gas	—
2	107488	pilot burner natural/liquid gas	—



fig.	GEV No.	description	Ref. No.
3	101930	pilot burner SIT type 140 series 1 flame	BN41826920140



fig.	GEV No.	description	fig.	GEV No.	description
1	102754	nozzle holder	2	102763	nozzle holder

BAUMEISTER




fig.	GEV No.	description
1	107493	pilot burner 1 flame LPG code 2
2	104626	pilot burner head suitable for BAUMEISTER
3	107526	pilot burner bracket

BERTO'S

600 / 700 / 900 series



fig.	GEV No.	description	Ref. No.
1	107481	pilot burner 1 flame LPG code 20	—
1	107482	pilot burner 1 flame natural gas code 40	—




fig.	GEV No.	description
1	107186	pilot burner head M8x0.75 IT
2	107187	pilot burner centre part M8x0.75
3	107483	pilot burner bottom part LPG code 20
3	107484	pilot burner bottom part natural gas code 40
4	107505	pilot burner bottom part LPG nozzle ø 0,21 mm

BLODGETT



fig.	GEV No.	description	Ref. No.
1	107418	pilot burner ROBERTSHAW type 11EA 1 flame natural/liquid gas for pipe ø 3/16" - 1/4" CCT	11334
2	107413	pilot burner type 43U4	1168263



BONNET

fig.	GEV No.	description	Ref. No.
1	102947	pilot burner head	368147
2	102948	pilot burner bottom part	140309
3	102949	pilot burner	368146
4	101293	flat gasket aluminium D1 ø 14mm D2 ø 10,3mm for pilot burner Qty 1 pcs	014073M

fig.	GEV No.	description	Ref. No.
1	104631	pilot burner head 2 thread 1/8"	368234
2	104632	pilot burner bottom part thread 1/8"	165527
3	104634	pilot burner bracket	140869

fig.	GEV No.	description	Ref. No.
4	102949	pilot burner	368146
5	101293	flat gasket aluminium D1 ø 14mm D2 ø 10,3mm for pilot burner Qty 1 pcs	014073M

fig.	GEV No.	description	Ref. No.
1	107337	pilot burner SIT type 100 series 1 flame nozzle ø 0.2/0.4mm gas connection 4/6mm set	2020122

BOURGOIS

fig.	GEV No.	description
1	106387	pilot burner 1 flame gas connection 6mm without nozzle
2	106385	pilot burner nozzle LPG code 22 bore ø 0,22mm M5x0,75 Qty 1 pcs brass
2	106429	pilot burner nozzle natural gas bore ø 0,35mm M5x0,75 WS 6
2	106386	pilot burner nozzle natural gas code 40 bore ø 0,4mm M5x0,75 Qty 1 pcs brass

CAPIC

fig.	GEV No.	description
1	102480	pilot burner 1 flame gas connection 6mm mounting thread M4
2	102481	pilot burner 1 flame gas connection 6mm mounting thread M4

CB

fig.	GEV No.	description	Ref. No.
1	102850	pilot burner	08070002
2	100064	pilot burner for left fixing	—
3	100063	pilot burner for right fixing	—

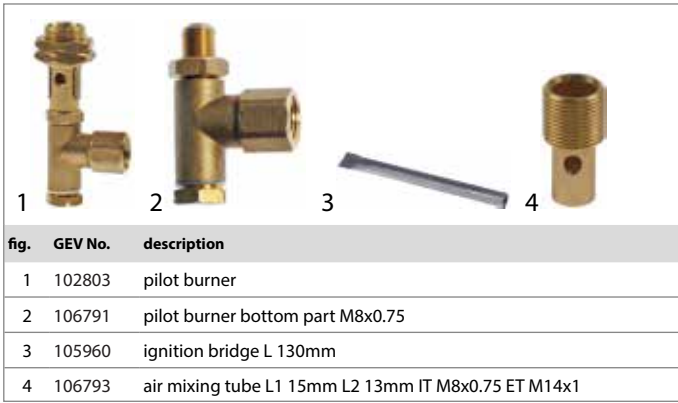


fig.	GEV No.	description
1	102803	pilot burner
2	106791	pilot burner bottom part M8x0.75
3	105960	ignition bridge L 130mm
4	106793	air mixing tube L1 15mm L2 13mm IT M8x0.75 ET M14x1



fig.	GEV No.	description
5	100900	air mixing sleeve for pilot burner Qty 1 pcs
6	102382	nut thread M14x1 H 3,5mm WS 18 brass Qty 1 pcs
6	520597	hexagonal nut M11x1 H 4mm WS 17 brass Qty 1 pcs
7	100705	ignition electrode
8	105961	pilot burner bracket left

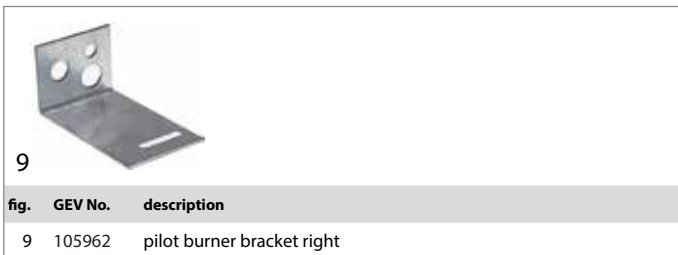


fig.	GEV No.	description
9	105962	pilot burner bracket right

EKU
pilot burners



fig.	GEV No.	description
1	100082	pilot burner
1	102979	pilot burner suitable for MARENO
2	100077	pilot burner mushroom cap
3	100078	pilot burner for wok range

accessories

fig.	GEV No.	description	gas type	code	Qty (pcs)
1	107649	pilot burner nozzle	LPG	20	1
1	107172	pilot burner nozzle	LPG	25	1
1	107650	pilot burner nozzle	LPG	30	1
1	107173	pilot burner nozzle	NG	35	1
1	107174	pilot burner nozzle	NG	41	1
1	102686	pilot burner nozzle	NG	45	1
1	107175	pilot burner nozzle	NG	51	1

fig.	GEV No.	description	for pipe ø	Qty (pcs)
1	100870	olive	4mm	1
1	106735	olive	4mm	5
2	101283	union screw	4mm	1
2	102583	union screw	4mm	10
3	101857	olive	6mm	1
3	106736	olive	6mm	5
4	100909	union screw	6mm	1
4	102509	union screw	6mm	5

ELETTROBAR

fig.	GEV No.	description	Ref. No.
1	100192	pilot burner SIT type 160 series 2 flames without nozzle	611003

EURAST

fig.	GEV No.	description	Ref. No.
1	107485	pilot burner LPG code 20	C5815249M
1	107486	pilot burner natural gas code 40	—



fig.	GEV No.	description
1	106844	pilot burner 1 flame
2	106845	pilot burner centre part ø 8mm
3	106839	pilot burner bottom part inlet M10x1 IT Qty 1 pcs outlet M6x0,75
4	697942	gasket for pilot burner ø 35,5mm thickness 1mm

FAGOR

fig.	GEV No.	description	Ref. No.
1	102445	pilot burner SIT type 100 series 2 flames nozzle ø 0,25mm gas connection 4mm	12004905

FALCON

fig.	GEV No.	description
1	107492	pilot burner 1 flame LPG nozzle type 31
2	107273	pilot burner cap 1 flame natural gas nozzle type 30

FIMAR

fig.	GEV No.	description	Ref. No.
1	100141	pilot burner cap	CO3107
2	100149	pilot burner bracket	CO3108
3	100768	ignition electrode D1 ø 6mm connection F 2,8x0,8mm D2 ø 8mm L1 8mm L2 2mm BL1 28mm BL2 16mm to clip	CO3106

fig.	GEV No.	description	Ref. No.
4	100161	pilot burner nozzle bore ø 0,2mm	CO3151
4	100163	pilot burner nozzle bore ø 0,3mm	CO3150

GARLAND

fig.	GEV No.	description	Ref. No.
1	107361	pilot burner 4 flames 3/16"	—

GICO

50 / 60 / 62 / 70 / 90 / 92 / 110 series (version 1)

fig.	GEV No.	description	Ref. No.
1	100068	pilot burner 2 flames gas connection 6mm	A00001

fig.	GEV No.	description	gas type	code	Qty (pcs)
1	106920	pilot burner nozzle	LPG	20	5
1	100203	pilot burner nozzle	LPG	25	1
1	102503	pilot burner nozzle	LPG	25	5
1	102698	pilot burner nozzle	NG	35	1
1	100202	pilot burner nozzle	NG	41	1
1	102502	pilot burner nozzle	NG	41	5
1	100869	pilot burner nozzle	NG	51	1




fig.	GEV No.	description	for pipe ø	Qty (pcs)
1	101281	olive	4mm	1
1	102581	olive	4mm	10
2	101283	union screw	4mm	1
2	102583	union screw	4mm	10

GIGA
Counter 700 / Top 700 / Kappa 900 / Snack 600 series



fig.	GEV No.	description	Ref. No.
1	100145	pilot burner SIT type 100 series 2 flames nozzle ø 0,2mm	0000X19000
2	100099	pilot burner cap 1 flame suitable for series 100	Y20300




fig.	GEV No.	description	Ref. No.
3	107701	pilot burner bottom part SIT series 100 nozzle ø 0,2mm	X19900
3	107700	pilot burner bottom part SIT series 100 nozzle ø 0,25mm	—
3	107702	pilot burner bottom part SIT series 100 nozzle ø 0,35mm	—
3	100880	pilot burner bottom part SIT series 100 nozzle ø 0,4mm	—




fig.	GEV No.	description	gas type	ø (mm)	Qty (pcs)
1	100245	pilot burner nozzle	LPG	0.2	1
1	102545	pilot burner nozzle	LPG	0.2	5
1	100246	pilot burner nozzle	NG	0.35	1
1	102546	pilot burner nozzle	NG	0.35	5
1	102972	pilot burner nozzle	NG	0.4	1




fig.	GEV No.	description	for pipe ø	Qty (pcs)
1	100904	locking screw	4mm	1
1	102504	locking screw	4mm	5
1	100905	locking screw	6mm	1
1	102505	locking screw	6mm	5



fig.	GEV No.	description
1	101452	ignition electrode support for burner type C/D suitable for series 900
2	101454	union screw for igniter M10x1 ID ø 7mm L 15mm
3	101453	bracket for thermocouple gas range for burner type C/D suitable for 900 series
4	100907	screw connection thread M10x1 Qty 1 pcs for thermocouple

HEIDEBRENNER




fig.	GEV No.	description	Ref. No.
1	102860	pilot burner natural gas	8620EG




fig.	GEV No.	description	gas type	code	Qty (pcs)
1	100222	pilot burner nozzle	LPG	5	1
1	102522	pilot burner nozzle	LPG	5	10
1	100227	pilot burner nozzle	NG	6	1
1	102527	pilot burner nozzle	NG	6	10



fig.	GEV No.	description	for pipe ø	Qty (pcs)
1	101281	olive	4mm	1
1	102581	olive	4mm	10
2	101283	union screw	4mm	1
2	102583	union screw	4mm	10



fig.	GEV No.	description
1	102863	ignition electrode D1 ø 9mm connection M4 D2 ø 11mm L1 14mm L2 27mm BL1 27mm BL2 3mm BL3 28mm
2	102878	screw connection for igniter

fig.	GEV No.	description	Ref. No.
4	106507	pilot burner SIT type 100 series 3 flames LPG nozzle ø 0,21mm gas connection 4mm	090036
5	106508	pilot burner SIT type 100 series 3 flames LPG nozzle ø 0,21mm gas connection 4mm	090037

ILLICO

fig.	GEV No.	description
1	107518	pilot burner 1 flame nozzle ø 0,2mm burner bearing upper

JUNO

fig.	GEV No.	description	Ref. No.
1	100856	pilot burner EGA type A LPG	0K1210
2	100857	pilot burner EGA type A natural gas	0K1211

JEMI

fig.	GEV No.	description	Ref. No.
1	107509	pilot burner 1 flame for natural and liquid gas L 46mm	—
2	106511	pilot burner 1 flame LPG code 0,2	998141
2	106509	pilot burner 1 flame natural gas code 0,4	998177
3	106513	pilot burner 1 flame LPG code 0,2 M4x0.5	990040
3	106512	pilot burner 1 flame natural gas code 0,4	990084

fig.	GEV No.	description	gas type	ø (mm)	Qty (pcs)
1	100245	pilot burner nozzle	LPG	0.2	1
1	102545	pilot burner nozzle	LPG	0.2	5
1	100246	pilot burner nozzle	NG	0.35	1
1	107170	pilot burner nozzle	NG	0.35	1
1	102546	pilot burner nozzle	NG	0.35	5
1	102972	pilot burner nozzle	NG	0.4	1
1	102973	pilot burner nozzle	NG	0.45	1
1	107171	pilot burner nozzle	NG/LPG	0.25	1

fig.	GEV No.	description
1	100853	pilot burner cap
2	100963	pilot burner tap head
3	100962	pilot burner head
4	100964	cover for pilot burner



fig.	GEV No.	description
5	100847	pilot burner centre part
6	100806	gasket for pilot burner
7	101598	pilot burner bottom part LPG bore ø 0,2mm
7	101599	pilot burner bottom part natural gas bore ø 0,35mm
8	100904	locking screw M10x1 for pipe ø 4mm Qty 1 pcs
8	102504	locking screw M10x1 for pipe ø 4mm Qty 5 pcs

fig.	GEV No.	description
9	100917	gasket for pilot burner Qty 1 pcs aluminium
9	102717	gasket for pilot burner Qty 5 pcs aluminium
10	100916	compression spring for pilot burner Qty 1 pcs
10	102716	compression spring for pilot burner Qty 5 pcs
11	100918	screw for pilot burner

KÜPPERSBUSCH
EGH_ series (version 1)

fig.	GEV No.	description
1	102956	pilot burner type C without nozzle
2	102957	pilot burner type D without nozzle
3	102958	pilot burner type E without nozzle

fig.	GEV No.	description	gas type	ø (mm)	gas pressure (mbar)
1	101849	pilot burner nozzle	LPG	0.16	50
1	101589	pilot burner nozzle	LPG	0.18	50
1	101534	pilot burner nozzle	LPG	0.19	50
1	100235	pilot burner nozzle	LPG	0.2	50
1	101864	pilot burner nozzle	LPG	0.24	30
1	100979	pilot burner nozzle	LPG	0.25	30
1	101543	pilot burner nozzle	NG	0.3	20
1	101588	pilot burner nozzle	NG	0.32	20
1	100236	pilot burner nozzle	NG	0.35	20
1	101865	pilot burner nozzle	NG	0.41	20

fig.	GEV No.	description	for pipe ø	Qty (pcs)
1	101284	olive	4mm	1
1	102584	olive	4mm	10
2	101285	union screw	4mm	1
2	102585	union screw	4mm	10

fig.	GEV No.	description
1	103219	pilot burner slit width 0,8mm bore ø 3mm total length 50mm WS 20
2	101843	base plate for pilot burner H 18mm C
2	101844	base plate for pilot burner H 15mm D
2	101845	base plate for pilot burner H 11mm E
3	102962	base plate for pilot burner H 18mm C
3	102963	base plate for pilot burner H 15mm D
3	102964	base plate for pilot burner H 11mm E

fig.	GEV No.	description
4	101587	gasket for pilot burner without ignition electrode
5	101835	pilot burner bottom part C
5	101834	pilot burner bottom part D
5	101586	pilot burner bottom part E
6	102966	air mixing sleeve ø 10mm H 8mm
7	102965	ignition electrode connection F 2,8x0,8mm

fig.	GEV No.	description
8	101841	igniter screw M12x1
9	101839	screw connection for thermocouple bore ø 5mm M12x1 WS 12 brass
10	101842	cap for pilot burner



NGH_ series (version 2) / PGH_ (version 1)

fig.	GEV No.	description	Ref. No.
1	107472	pilot burner complete natural/liquid gas gas line ø 4 mm	—

fig.	GEV No.	description
6	104259	plate for pilot burner
7	104258	gasket for pilot burner
8	104257	flange for pilot burner
9	104254	protective plate for pilot burner

fig.	GEV No.	description	gas type	ø (mm)	gas pressure (mbar)
1	101849	pilot burner nozzle	LPG	0.16	50
1	101589	pilot burner nozzle	LPG	0.18	50
1	101534	pilot burner nozzle	LPG	0.19	50
1	100235	pilot burner nozzle	LPG	0.2	50
1	101864	pilot burner nozzle	LPG	0.24	30
1	100979	pilot burner nozzle	LPG	0.25	30
1	101543	pilot burner nozzle	NG	0.3	20
1	101588	pilot burner nozzle	NG	0.32	20
1	100236	pilot burner nozzle	NG	0.35	20
1	101865	pilot burner nozzle	NG	0.41	20

fig.	GEV No.	description
10	104251	gasket ID ø 8,5mm ED ø 15mm Qty 1 pcs

FGH_ / EGH_ (version 2) / PGH_ series (version 2)

fig.	GEV No.	description	Ref. No.
1	101529	pilot burner type E incl. nozzles 0.18mm / 0.20mm / 0.32mm / 0.35mm	154115
2	102640	pilot burner type E without nozzle	—

fig.	GEV No.	description	for pipe ø	Qty (pcs)
1	101284	olive	4mm	1
1	102584	olive	4mm	10
2	101285	union screw	4mm	1
2	102585	union screw	4mm	10

fig.	GEV No.	description	gas type	ø (mm)	gas pressure (mbar)
1	101849	pilot burner nozzle	LPG	0.16	50
1	101589	pilot burner nozzle	LPG	0.18	50
1	101534	pilot burner nozzle	LPG	0.19	50
1	100235	pilot burner nozzle	LPG	0.2	50
1	101864	pilot burner nozzle	LPG	0.24	30
1	100979	pilot burner nozzle	LPG	0.25	30
1	101543	pilot burner nozzle	NG	0.3	20
1	101588	pilot burner nozzle	NG	0.32	20
1	100236	pilot burner nozzle	NG	0.35	20
1	101865	pilot burner nozzle	NG	0.41	20

fig.	GEV No.	description
1	104253	cover
2	104255	pilot burner tap head
3	104252	pilot burner center piece
4	104256	screw connection for thermocouple
5	104250	sleeve for thermocouple

fig.	GEV No.	description	for pipe ø	Qty (pcs)
1	101284	olive	4mm	1
1	102584	olive	4mm	10
2	101285	union screw	4mm	1
2	102585	union screw	4mm	10



fig.	GEV No.	description
1	101582	pilot burner cap
2	102833	pilot burner cap with screw connection for igniton electrode
3	101587	gasket for pilot burner without ignition electrode
3	101781	gasket for pilot burner with ignition electrode

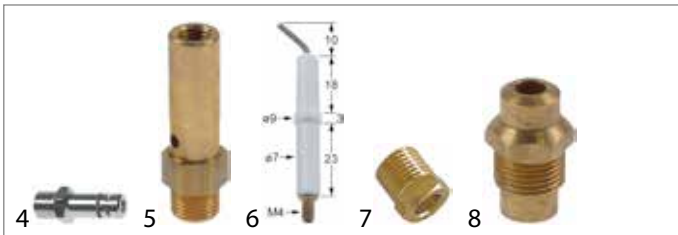


fig.	GEV No.	description
4	101583	pilot burner head slit width 0,8mm bore ø 3mm ø 6mm M7x0,75mm total length 22mm WS 8
5	101586	pilot burner bottom part E
6	101779	ignition electrode D1 ø 7mm connection M4 D2 ø 9mm L1 10mm L2 5mm BL1 18mm BL2 3mm BL3 23mm to clip
7	100906	screw connection thread M10x1 Qty 1 pcs for igniter
8	101585	thermocouple screw connection



fig.	GEV No.	description
9	101584	cap M12x1
10	101848	cover for pilot burner

LINCAR



fig.	GEV No.	description	Ref. No.
1	107594	pilot burner 1 flame gas connection M10x1mm	38024001



fig.	GEV No.	description	gas type	code	Qty (pcs)
1	107649	pilot burner nozzle	LPG	20	1
1	107172	pilot burner nozzle	LPG	25	1
1	107650	pilot burner nozzle	LPG	30	1
1	107173	pilot burner nozzle	NG	35	1
1	107174	pilot burner nozzle	NG	41	1
1	102502	pilot burner nozzle	NG	41	5
1	102686	pilot burner nozzle	NG	45	1
1	107175	pilot burner nozzle	NG	51	1



fig.	GEV No.	description	for pipe ø	Qty (pcs)
1	100870	olive	4mm	1
1	106735	olive	4mm	5
2	100908	union screw	4mm	1
2	102508	union screw	4mm	5
3	101857	olive	6mm	1
3	106736	olive	6mm	5
4	100909	union screw	6mm	1
4	102509	union screw	6mm	5



fig.	GEV No.	description	fig.	GEV No.	description
1	107166	pilot burner head	2	100854	pilot burner bracket

LOHBERGER

old version



fig.	GEV No.	description
1	102956	pilot burner type C without nozzle
2	102957	pilot burner type D without nozzle
3	102958	pilot burner type E without nozzle





fig.	GEV No.	description	gas type	ø (mm)	gas pressure (mbar)
1	101849	pilot burner nozzle	LPG	0.16	50
1	101589	pilot burner nozzle	LPG	0.18	50
1	101534	pilot burner nozzle	LPG	0.19	50
1	100235	pilot burner nozzle	LPG	0.2	50
1	101864	pilot burner nozzle	LPG	0.24	30
1	100979	pilot burner nozzle	LPG	0.25	30
1	101543	pilot burner nozzle	NG	0.3	20
1	101588	pilot burner nozzle	NG	0.32	20
1	100236	pilot burner nozzle	NG	0.35	20
1	101865	pilot burner nozzle	NG	0.41	20




fig.	GEV No.	description	for pipe ø	Qty (pcs)
1	101284	olive	4mm	1
1	102584	olive	4mm	10
2	101285	union screw	4mm	1
2	102585	union screw	4mm	10



fig.	GEV No.	description
1	103219	pilot burner slit width 0,8mm bore ø 3mm total length 50mm WS 20
2	101843	base plate for pilot burner H 18mm C
2	101844	base plate for pilot burner H 15mm D
2	101845	base plate for pilot burner H 11mm E
3	102962	base plate for pilot burner H 18mm C
3	102963	base plate for pilot burner H 15mm D
3	102964	base plate for pilot burner H 11mm E




fig.	GEV No.	description
4	101587	gasket for pilot burner without ignition electrode
5	101835	pilot burner bottom part C
5	101834	pilot burner bottom part D
5	101586	pilot burner bottom part E
6	102966	air mixing sleeve ø 10mm H 8mm
7	102965	ignition electrode connection F 2,8x0,8mm




fig.	GEV No.	description
8	101841	igniter screw M12x1
9	101839	screw connection for thermocouple bore ø 5mm M12x1 WS 12 brass
10	101842	cap for pilot burner

new version



fig.	GEV No.	description	Ref. No.
1	101529	pilot burner type E incl. nozzles 0.18mm / 0.20mm / 0.32mm / 0.35mm	—
2	102640	pilot burner type E without nozzle	—




fig.	GEV No.	description	gas type	ø (mm)	gas pressure (mbar)
1	101849	pilot burner nozzle	LPG	0.16	50
1	101589	pilot burner nozzle	LPG	0.18	50
1	101534	pilot burner nozzle	LPG	0.19	50
1	100235	pilot burner nozzle	LPG	0.2	50
1	101864	pilot burner nozzle	LPG	0.24	30
1	100979	pilot burner nozzle	LPG	0.25	30
1	101543	pilot burner nozzle	NG	0.3	20
1	101588	pilot burner nozzle	NG	0.32	20
1	100236	pilot burner nozzle	NG	0.35	20
1	101865	pilot burner nozzle	NG	0.41	20




fig.	GEV No.	description	for pipe ø	Qty (pcs)
1	101284	olive	4mm	1
1	102584	olive	4mm	10
2	101285	union screw	4mm	1
2	102585	union screw	4mm	10

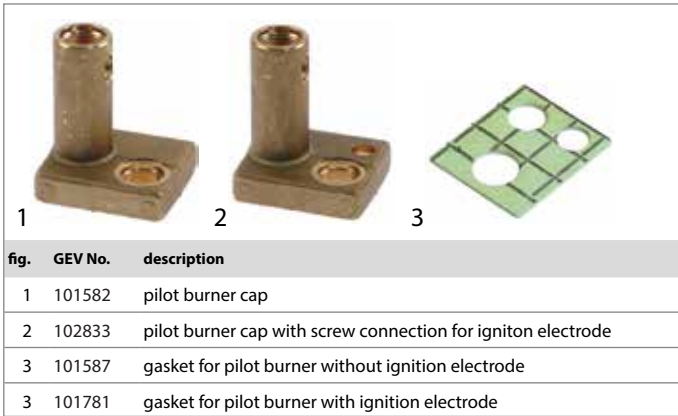


fig.	GEV No.	description
1	101582	pilot burner cap
2	102833	pilot burner cap with screw connection for igniton electrode
3	101587	gasket for pilot burner without ignition electrode
3	101781	gasket for pilot burner with ignition electrode

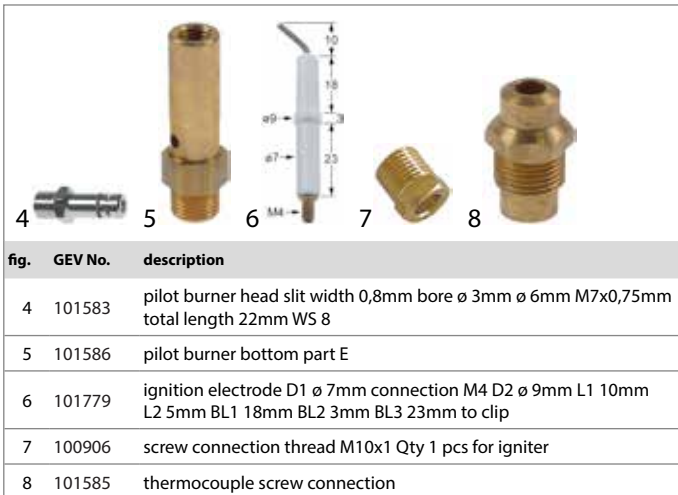


fig.	GEV No.	description
4	101583	pilot burner head slit width 0,8mm bore ø 3mm ø 6mm M7x0,75mm total length 22mm WS 8
5	101586	pilot burner bottom part E
6	101779	ignition electrode D1 ø 7mm connection M4 D2 ø 9mm L1 10mm L2 5mm BL1 18mm BL2 3mm BL3 23mm to clip
7	100906	screw connection thread M10x1 Qty 1 pcs for igniter
8	101585	thermocouple screw connection



fig.	GEV No.	description
9	101584	cap M12x1
10	101848	cover for pilot burner

MACFRIN



fig.	GEV No.	description	Ref. No.
1	107485	pilot burner LPG code 20	C5815249M
1	107486	pilot burner natural gas code 40	—

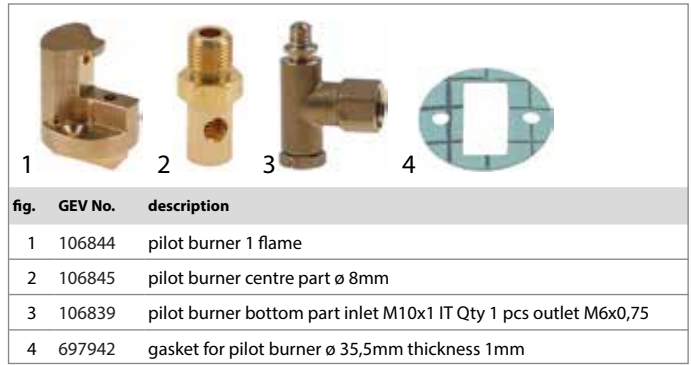


fig.	GEV No.	description
1	106844	pilot burner 1 flame
2	106845	pilot burner centre part ø 8mm
3	106839	pilot burner bottom part inlet M10x1 IT Qty 1 pcs outlet M6x0,75
4	697942	gasket for pilot burner ø 35,5mm thickness 1mm

MALAG

AG_ / AGE_ series

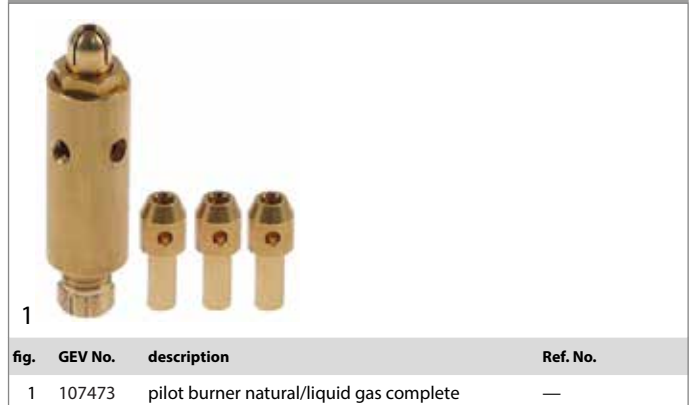


fig.	GEV No.	description	Ref. No.
1	107473	pilot burner natural/liquid gas complete	—

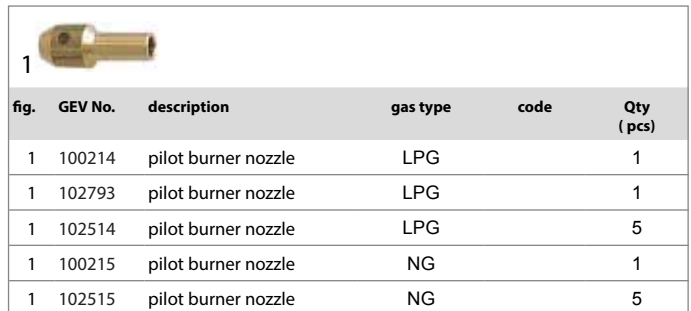


fig.	GEV No.	description	gas type	code	Qty (pcs)
1	100214	pilot burner nozzle	LPG		1
1	102793	pilot burner nozzle	LPG		1
1	102514	pilot burner nozzle	LPG		5
1	100215	pilot burner nozzle	NG		1
1	102515	pilot burner nozzle	NG		5

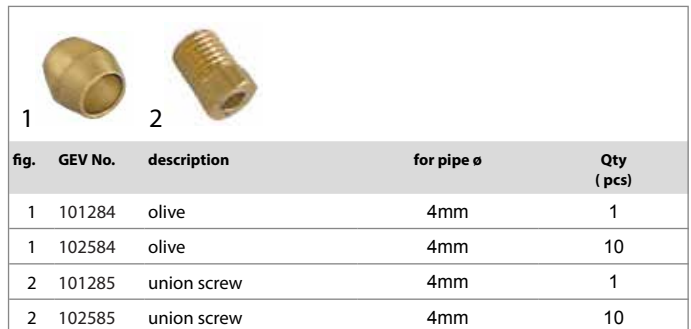


fig.	GEV No.	description	for pipe ø	Qty (pcs)
1	101284	olive	4mm	1
1	102584	olive	4mm	10
2	101285	union screw	4mm	1
2	102585	union screw	4mm	10



fig.	GEV No.	description
1	100075	pilot burner type without ignition peak
2	102738	ignition tip
2	100600	ignition tip with filter
3	100599	union screw bore ø 7,1mm M10x0.75
4	101755	pilot burner

fig.	GEV No.	description
5	100601	pilot burner bracket

MARENO

700 series

fig.	GEV No.	description
1	100089	pilot burner

fig.	GEV No.	description	gas type	code	Qty (pcs)
1	100230	pilot burner nozzle	LPG	2	1
1	102530	pilot burner nozzle	LPG	2	10
1	100217	pilot burner nozzle	LPG	3	1
1	102519	pilot burner nozzle	LPG	3	10
1	100233	pilot burner nozzle	LPG	8	1
1	102533	pilot burner nozzle	LPG	8	10
1	100231	pilot burner nozzle	NG	4	1
1	102531	pilot burner nozzle	NG	4	10
1	100232	pilot burner nozzle	NG	9	1
1	102532	pilot burner nozzle	NG	9	10
1	100234	pilot burner nozzle	NG	14	1
1	102534	pilot burner nozzle	NG	14	10

fig.	GEV No.	description	for pipe ø	Qty (pcs)
1	101282	olive	4mm	1
1	102582	olive	4mm	10
2	101283	union screw	4mm	1
2	102583	union screw	4mm	10
3	101288	olive	6mm	1
3	102588	olive	6mm	10
4	100909	union screw	6mm	1
4	102509	union screw	6mm	5

Snack 600 / Protagonista 70 / Easy series

fig.	GEV No.	description	Ref. No.
1	100082	pilot burner	—
1	102979	pilot burner suitable for MARENO	MA1032501300
2	100077	pilot burner mushroom cap	-

fig.	GEV No.	description	gas type	code	Qty (pcs)
1	107649	pilot burner nozzle	LPG	20	1
1	107172	pilot burner nozzle	LPG	25	1
1	107650	pilot burner nozzle	LPG	30	1
1	107173	pilot burner nozzle	NG	35	1
1	107174	pilot burner nozzle	NG	41	1
1	102686	pilot burner nozzle	NG	45	1
1	107175	pilot burner nozzle	NG	51	1

fig.	GEV No.	description	for pipe ø	Qty (pcs)
1	100870	olive	4mm	1
1	106735	olive	4mm	5
2	101283	union screw	4mm	1
2	102583	union screw	4mm	10
3	101857	olive	6mm	1
3	106736	olive	6mm	5
4	100909	union screw	6mm	1
4	102509	union screw	6mm	5



fig.	GEV No.	description
1	101860	nut thread M10x1 H 4mm WS 14 chrome-plated brass Qty 1 pcs
2	100834	pilot burner cap
3	102980	pilot burner mushroom cap with mounting thread

NP70 / NP90 series

fig.	GEV No.	description
1	103074	venturi for burner cap ø 102mm with pilot burner
2	107422	venturi for burner cap ø 64mm with pilot burner

MAS-BAGA

fig.	GEV No.	description	Ref. No.
1	107485	pilot burner LPG code 20	C5815249M
1	107486	pilot burner natural gas code 40	—

fig.	GEV No.	description
1	106844	pilot burner 1 flame
2	106845	pilot burner centre part ø 8mm
3	106839	pilot burner bottom part inlet M10x1 IT Qty 1 pcs outlet M6x0,75
4	697942	gasket for pilot burner ø 35,5mm thickness 1mm

MBM ITALY

Omnia series

fig.	GEV No.	description	Ref. No.
1	107141	pilot burner SIT type 100 series 1 flame nozzle ø 0,35mm gas connection 6mm	RTCU700372

accessories

fig.	GEV No.	gas type	ø (mm)	Qty (pcs)	fig.	GEV No.	gas type	ø (mm)	Qty (pcs)
1	107167	LPG	0.21	1	1	107168	NG	0.35	1
1	107212	LPG	0.21	5	1	107213	NG	0.35	5

fig.	GEV No.	description	for pipe ø	Qty (pcs)
1	100904	locking screw	4mm	1
1	102504	locking screw	4mm	5
1	100905	locking screw	6mm	1
1	102505	locking screw	6mm	5

MKN

EA_, HL_, SL_, Optima700 series

fig.	GEV No.	description	Ref. No.
1	102841	pilot burner SIT type 160 series 2 flames natural gas nozzle ø 0,41mm gas connection 4mm	201681
2	102840	pilot burner SIT type 160 series 2 flames nozzle ø 0,41mm gas connection 6mm with igniter	201680



Universal series



fig.	GEV No.	description	Ref. No.
1	100088	pilot burner EGA type B	201820
2	103183	pilot burner EGA type B	—



fig.	GEV No.	description	gas type	code	Qty (pcs)
1	100270	pilot burner nozzle	LPG		
1	101896	pilot burner nozzle	LPG		
1	100271	pilot burner nozzle	NG		
1	100272	pilot burner nozzle	NG		



fig.	GEV No.	description
1	100960	cover for pilot burner
2	100961	pilot burner head
3	101228	knurled nut M8x0,75 ø 14mm H 4mm mounting pos. outer brass
4	101259	union nut M8x1 for pipe ø 4mm



fig.	GEV No.	description
5	101284	olive for pipe ø 4mm Qty 1 pcs
5	102584	olive for pipe ø 4mm Qty 10 pcs

MODULAR

900 series



fig.	GEV No.	description	Ref. No.
1	106771	pilot burner 1 flame nozzle ø 0,2mm	972.021.00



fig.	GEV No.	description	gas type	ø (mm)	Qty (pcs)
1	100245	pilot burner nozzle	LPG	0.2	1
1	102545	pilot burner nozzle	LPG	0.2	5
1	100246	pilot burner nozzle	NG	0.35	1
1	102546	pilot burner nozzle	NG	0.35	5
1	102972	pilot burner nozzle	NG	0.4	1



fig.	GEV No.	description	for pipe ø	Qty (pcs)
1	100904	locking screw	4mm	1
1	102504	locking screw	4mm	5
1	100905	locking screw	6mm	1
1	102505	locking screw	6mm	5

K_series (wok burner)



fig.	GEV No.	description	Ref. No.
1	100092	pilot burner for wok range suitable for MODULAR	37400600



fig.	GEV No.	description	gas type	code	Qty (pcs)
1	107649	pilot burner nozzle	LPG	20	1
1	107172	pilot burner nozzle	LPG	25	1
1	107650	pilot burner nozzle	LPG	30	1
1	107173	pilot burner nozzle	NG	35	1
1	107174	pilot burner nozzle	NG	41	1
1	102686	pilot burner nozzle	NG	45	1
1	107175	pilot burner nozzle	NG	51	1

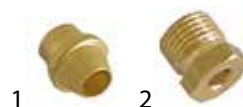


fig.	GEV No.	description	for pipe ø	Qty (pcs)
1	100870	olive	4mm	1
1	106735	olive	4mm	5
2	101283	union screw	4mm	1
2	102583	union screw	4mm	10

Table continues overleaf




fig.	GEV No.	description	for pipe ø	Qty (pcs)
3	101857	olive	6mm	1
3	106736	olive	6mm	5
4	100909	union screw	6mm	1
4	102509	union screw	6mm	5

NAYATI
Amicus, Grandis, Meritus (hob) series

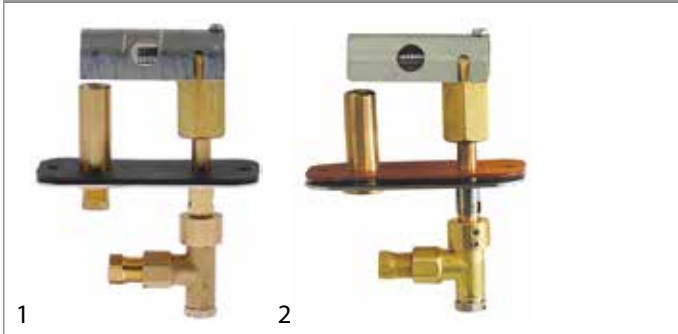


fig.	GEV No.	description	Ref. No.
1	100856	pilot burner EGA type A LPG	PD.2481
2	100857	pilot burner EGA type A natural gas	—




fig.	GEV No.	description	gas type	ø (mm)	Qty (pcs)
1	100245	pilot burner nozzle	LPG	0.2	1
1	102545	pilot burner nozzle	LPG	0.2	5
1	100246	pilot burner nozzle	NG	0.35	1
1	107170	pilot burner nozzle	NG	0.35	1
1	102546	pilot burner nozzle	NG	0.35	5
1	102972	pilot burner nozzle	NG	0.4	1
1	102973	pilot burner nozzle	NG	0.45	1
1	107171	pilot burner nozzle	NG/LPG	0.25	1




fig.	GEV No.	description
1	100846	pilot burner cap
2	100963	pilot burner tap head
3	100962	pilot burner head
4	100964	cover for pilot burner
5	100847	pilot burner centre part

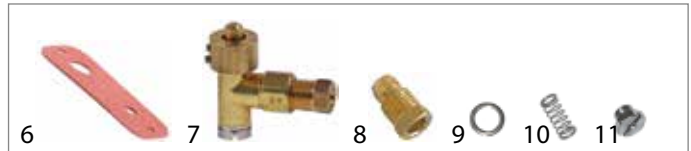


fig.	GEV No.	description
6	100806	gasket for pilot burner
7	101598	pilot burner bottom part LPG bore ø 0,2mm
7	101599	pilot burner bottom part natural gas bore ø 0,35mm
8	100904	locking screw M10x1 for pipe ø 4mm Qty 1 pcs
8	102504	locking screw M10x1 for pipe ø 4mm Qty 5 pcs
9	100917	gasket for pilot burner Qty 1 pcs aluminium
9	102717	gasket for pilot burner Qty 5 pcs aluminium
10	100916	compression spring for pilot burner Qty 1 pcs
10	102716	compression spring for pilot burner Qty 5 pcs
11	100918	screw for pilot burner

Amicus (grills), Meritus (pasta cookers), Grandis (pasta cookers, tilting bratt pans) series




fig.	GEV No.	description	Ref. No.
1	107114 ¹	pilot burner SIT type 140 series 2 flames	GS3853

¹incl. thermocouple fitting




fig.	GEV No.	description	gas type	code	Qty (pcs)
1	100204	pilot burner nozzle	LPG	14	1
1	102604	pilot burner nozzle	LPG	14	5
1	100207	pilot burner nozzle	NG	27	1
1	102607	pilot burner nozzle	NG	27	5



fig.	GEV No.	description	for pipe ø	Qty (pcs)
1	100897	olive	4mm	1
1	106737	olive	4mm	5
2	100908	union screw	4mm	1
2	102508	union screw	4mm	5
3	100898	olive	6mm	1
3	106738	olive	6mm	5
4	100909	union screw	6mm	1
4	102509	union screw	6mm	5



fig.	GEV No.	description
1	100701	ignition electrode connection M4 Qty 1 pcs
1	106834	ignition electrode connection M4 Qty 5 pcs
2	100906	screw connection thread M10x1 Qty 1 pcs for igniter
2	102506	screw connection thread M10x1 Qty 5 pcs for igniter
3	100907	screw connection thread M10x1 Qty 1 pcs for thermocouple
3	102507	screw connection for thermocouple M10x1 Qty 5 pcs
4	100801	gasket for pilot burner Qty 1 pcs

fig.	GEV No.	description
3	100904	locking screw M10x1 for pipe ø 4mm Qty 1 pcs
3	102504	locking screw M10x1 for pipe ø 4mm Qty 5 pcs
3	100905	locking screw M10x1 for pipe ø 6mm Qty 1 pcs
3	102505	locking screw M10x1 for pipe ø 6mm Qty 5 pcs
4	100706	ignition electrode connection M4 Qty 1 pcs

Amicus (Wok), Meritus (grills, ovens), Grandis (grills, ovens, boiling pans), Teppanyaki series

fig.	GEV No.	description	Ref. No.
1	106906	pilot burner SIT type 100 series 3 flames nozzle ø 0,2mm gas connection 6mm	GS3851

Chinese Pro series

fig.	GEV No.	description	Ref. No.
1	102803	pilot burner	GS373C

fig.	GEV No.	description	gas type	ø (mm)	Qty (pcs)
1	100245	pilot burner nozzle	LPG	0.2	1
1	102545	pilot burner nozzle	LPG	0.2	5
1	100246	pilot burner nozzle	NG	0.35	1
1	107170	pilot burner nozzle	NG	0.35	1
1	102546	pilot burner nozzle	NG	0.35	5
1	102972	pilot burner nozzle	NG	0.4	1
1	102973	pilot burner nozzle	NG	0.45	1
1	107171	pilot burner nozzle	NG/LPG	0.25	1

Meritus (deep fryers), Grandis (deep fryers) series

fig.	GEV No.	description	Ref. No.
1	103196	pilot burner	GS.2186

fig.	GEV No.	description
1	107162	pilot burner cap SIT 3 flames Qty 1 pcs
2	107701	pilot burner bottom part SIT series 100 nozzle ø 0,2mm
2	107700	pilot burner bottom part SIT series 100 nozzle ø 0,25mm
2	107702	pilot burner bottom part SIT series 100 nozzle ø 0,35mm
2	100880	pilot burner bottom part SIT series 100 nozzle ø 0,4mm

miscellaneous

fig.	GEV No.	description	Ref. No.
1	100068	pilot burner 2 flames gas connection 6mm	GS2837



OLIS

650 series



fig.	GEV No.	description	Ref. No.
1	101899	pilot burner type angled suitable for BARON	822410310
2	101929	mushroom cap suitable for BARON	822160360



fig.	GEV No.	description	gas type	code	Qty (pcs)
1	107649	pilot burner nozzle	LPG	20	1
1	107172	pilot burner nozzle	LPG	25	1
1	107650	pilot burner nozzle	LPG	30	1
1	107173	pilot burner nozzle	NG	35	1
1	107174	pilot burner nozzle	NG	41	1
1	102686	pilot burner nozzle	NG	45	1
1	107175	pilot burner nozzle	NG	51	1



fig.	GEV No.	description	for pipe ø	Qty (pcs)
1	100870	olive	4mm	1
1	106735	olive	4mm	5
2	101283	union screw	4mm	1
2	102583	union screw	4mm	10
3	101857	olive	6mm	1
3	106736	olive	6mm	5
4	100909	union screw	6mm	1
4	102509	union screw	6mm	5

Snack / 700 / 900 series



fig.	GEV No.	description	Ref. No.
1	107479	pilot burner 1 flame LPG nozzle ø 0,2mm	—
1	107480	pilot burner 1 flame natural gas nozzle ø 0,35mm	—




fig.	GEV No.	description	gas type	ø (mm)	Qty (pcs)
1	100245	pilot burner nozzle	LPG	0.2	1
1	102545	pilot burner nozzle	LPG	0.2	5
1	100246	pilot burner nozzle	NG	0.35	1
1	102546	pilot burner nozzle	NG	0.35	5
1	102972	pilot burner nozzle	NG	0.4	1




fig.	GEV No.	description	for pipe ø	Qty (pcs)
1	100904	locking screw	4mm	1
1	102504	locking screw	4mm	5
1	100905	locking screw	6mm	1
1	102505	locking screw	6mm	5




fig.	GEV No.	description
1	101480	pilot burner cap suitable for series 100
2	100814	pilot burner bracket suitable for series 100

700 / CUCINE ECO GAS SER70 series




fig.	GEV No.	description	Ref. No.
1	100074	pilot burner type 140 series 2 flames with additional strap	BN2590057




fig.	GEV No.	description	gas type	code	Qty (pcs)
1	100204	pilot burner nozzle	LPG	14	1
1	102604	pilot burner nozzle	LPG	14	5
1	100207	pilot burner nozzle	NG	27	1
1	102607	pilot burner nozzle	NG	27	5



fig.	GEV No.	description	for pipe ø	Qty (pcs)
1	100897	olive	4mm	1
1	106737	olive	4mm	5
2	100908	union screw	4mm	1
2	102508	union screw	4mm	5
3	100898	olive	6mm	1
3	106738	olive	6mm	5
4	100909	union screw	6mm	1
4	102509	union screw	6mm	5

fig.	GEV No.	description	gas type	ø (mm)	gas pressure (mbar)
1	100979	pilot burner nozzle	LPG	0.25	30
1	101543	pilot burner nozzle	NG	0.3	20
1	101588	pilot burner nozzle	NG	0.32	20
1	100236	pilot burner nozzle	NG	0.35	20
1	101865	pilot burner nozzle	NG	0.41	20

fig.	GEV No.	description
1	100701	ignition electrode connection M4 Qty 1 pcs
1	106834	ignition electrode connection M4 Qty 5 pcs
2	100906	screw connection thread M10x1 Qty 1 pcs for igniter
2	102506	screw connection thread M10x1 Qty 5 pcs for igniter
3	100907	screw connection thread M10x1 Qty 1 pcs for thermocouple
3	102507	screw connection for thermocouple M10x1 Qty 5 pcs
4	105296	cover for pilot burner suitable for series 700 Qty 1 pcs

fig.	GEV No.	description	for pipe ø	Qty (pcs)
1	101284	olive	4mm	1
1	102584	olive	4mm	10
2	101285	union screw	4mm	1
2	102585	union screw	4mm	10

fig.	GEV No.	description
1	103219	pilot burner slit width 0,8mm bore ø 3mm total length 50mm WS 20
2	101843	base plate for pilot burner H 18mm C
2	101844	base plate for pilot burner H 15mm D
2	101845	base plate for pilot burner H 11mm E
3	102962	base plate for pilot burner H 18mm C
3	102963	base plate for pilot burner H 15mm D
3	102964	base plate for pilot burner H 11mm E

PALUX

Compact series

fig.	GEV No.	description
1	102956	pilot burner type C without nozzle
2	102957	pilot burner type D without nozzle
3	102958	pilot burner type E without nozzle

fig.	GEV No.	description
4	101587	gasket for pilot burner without ignition electrode
5	101835	pilot burner bottom part C
5	101834	pilot burner bottom part D
5	101586	pilot burner bottom part E
6	102966	air mixing sleeve ø 10mm H 8mm
7	102965	ignition electrode connection F 2,8x0,8mm

fig.	GEV No.	description	gas type	ø (mm)	gas pressure (mbar)
1	101849	pilot burner nozzle	LPG	0.16	50
1	101589	pilot burner nozzle	LPG	0.18	50
1	101534	pilot burner nozzle	LPG	0.19	50
1	100235	pilot burner nozzle	LPG	0.2	50
1	101864	pilot burner nozzle	LPG	0.24	30



fig.	GEV No.	description
8	101841	igniter screw M12x1
9	101839	screw connection for thermocouple bore ø 5mm M12x1 WS 12 brass
10	101842	cap for pilot burner

Practica series

fig.	GEV No.	flames	nozzle ø (mm)	gas connection (mm)	Ref. No.
1	107137	1	0.18	-	321354

fig.	GEV No.	description	gas type	ø (mm)	Qty (pcs)
1	100247	pilot burner nozzle	LPG	0.2	1
1	102547	pilot burner nozzle	LPG	0.2	5
1	100248	pilot burner nozzle	NG	0.3	1
1	102548	pilot burner nozzle	NG	0.3	5

fig.	GEV No.	description	for pipe ø	Qty (pcs)
1	100904	locking screw	4mm	1
1	102504	locking screw	4mm	5
1	100905	locking screw	6mm	1
1	102505	locking screw	6mm	5

Topline series (version 1)

fig.	GEV No.	description	Ref. No.
1	100088	pilot burner EGA type B	541346
2	103183	pilot burner EGA type B	—

fig.	GEV No.	description	gas type	code	Qty (pcs)
1	100270	pilot burner nozzle	LPG		
1	101896	pilot burner nozzle	LPG		
1	100271	pilot burner nozzle	NG		
1	100272	pilot burner nozzle	NG		

fig.	GEV No.	description
1	101284	olive for pipe ø 4mm Qty 1 pcs
1	102584	olive for pipe ø 4mm Qty 10 pcs
2	101259	union nut M8x1 for pipe ø 4mm
3	100961	pilot burner head
4	100960	cover for pilot burner

fig.	GEV No.	description
5	101228	knurled nut M8x0,75 ø 14mm H 4mm mounting pos. outer brass

Topline series (version 2)

fig.	GEV No.	description
1	101529	pilot burner type E incl. nozzles 0.18mm / 0.20mm / 0.32mm / 0.35mm
2	102640	pilot burner type E without nozzle

fig.	GEV No.	description	gas type	ø (mm)	gas pressure (mbar)
1	101849	pilot burner nozzle	LPG	0.16	50
1	101589	pilot burner nozzle	LPG	0.18	50
1	101534	pilot burner nozzle	LPG	0.19	50
1	100235	pilot burner nozzle	LPG	0.2	50
1	101864	pilot burner nozzle	LPG	0.24	30

Table continues overleaf





fig.	GEV No.	description	gas type	ø (mm)	gas pressure (mbar)
1	100979	pilot burner nozzle	LPG	0.25	30
1	101543	pilot burner nozzle	NG	0.3	20
1	101588	pilot burner nozzle	NG	0.32	20
1	100236	pilot burner nozzle	NG	0.35	20
1	101865	pilot burner nozzle	NG	0.41	20




fig.	GEV No.	description	for pipe ø	Qty (pcs)
1	101284	olive	4mm	1
1	102584	olive	4mm	10
2	101285	union screw	4mm	1
2	102585	union screw	4mm	10




fig.	GEV No.	description
1	101582	pilot burner cap
2	102833	pilot burner cap with screw connection for igniton electrode
3	101587	gasket for pilot burner without ignition electrode
3	101781	gasket for pilot burner with ignition electrode

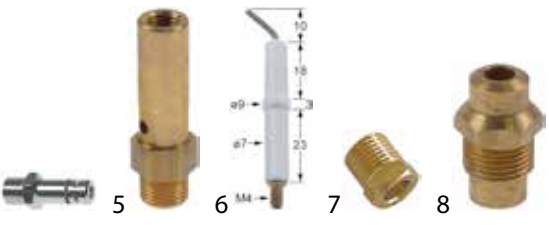


fig.	GEV No.	description
4	101583	pilot burner head slit width 0,8mm bore ø 3mm ø 6mm M7x0,75mm total length 22mm WS 8
5	101586	pilot burner bottom part E
6	101779	ignition electrode D1 ø 7mm connection M4 D2 ø 9mm L1 10mm L2 5mm BL1 18mm BL2 3mm BL3 23mm to clip
7	100906	screw connection thread M10x1 Qty 1 pcs for igniter
8	101585	thermocouple screw connection



fig.	GEV No.	description
9	101584	cap M12x1
10	101848	cover for pilot burner

Profiline series




fig.	GEV No.	description	Ref. No.
1	100856	pilot burner EGA type A LPG	—
2	100857	pilot burner EGA type A natural gas	—




fig.	GEV No.	description	gas type	ø (mm)	Qty (pcs)
1	100245	pilot burner nozzle	LPG	0.2	1
1	102545	pilot burner nozzle	LPG	0.2	5
1	100246	pilot burner nozzle	NG	0.35	1
1	107170	pilot burner nozzle	NG	0.35	1
1	102546	pilot burner nozzle	NG	0.35	5
1	102972	pilot burner nozzle	NG	0.4	1
1	102973	pilot burner nozzle	NG	0.45	1
1	107171	pilot burner nozzle	NG/LPG	0.25	1




fig.	GEV No.	description
1	100853	pilot burner cap
2	100963	pilot burner tap head
3	100962	pilot burner head
4	100964	cover for pilot burner




fig.	GEV No.	description
5	100847	pilot burner centre part
6	100806	gasket for pilot burner
7	101598	pilot burner bottom part LPG bore ø 0,2mm
7	101599	pilot burner bottom part natural gas bore ø 0,35mm
8	100904	locking screw M10x1 for pipe ø 4mm Qty 1 pcs
8	102504	locking screw M10x1 for pipe ø 4mm Qty 5 pcs



fig.	GEV No.	description
9	100917	gasket for pilot burner Qty 1 pcs aluminium
9	102717	gasket for pilot burner Qty 5 pcs aluminium
10	100916	compression spring for pilot burner Qty 1 pcs
10	102716	compression spring for pilot burner Qty 5 pcs
11	100918	screw for pilot burner

PITCO

pilot burners

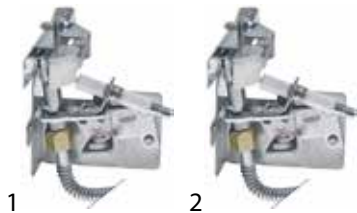


fig.	GEV No.	description	Ref. No.
1	107666	pilot burner ROBERTSHAW type 6SW30-21E 3 flames LPG nozzle type 16 for pipe ø 1/4" CCT 1/4"	B8039518-C
2	107664	pilot burner ROBERTSHAW type 6SW30-21E 3 flames natural gas nozzle type 22 for pipe ø 1/4" CCT	B8039517-C

REPAGAS



fig.	GEV No.	description	Ref. No.
1	104524	pilot burner KROMSCHRÖDER 1 natural/liquid gas nozzle ø 0.18/0.22mm	24204028
2	107189	pilot burner SIT 1 flame nozzle ø 0,2mm	50116000

ROSINOX



fig.	GEV No.	description
1	107529	pilot burner 1 flame LPG nozzle ø 0,22mm gas connection 6mm
1	107528	pilot burner 1 flame natural gas nozzle ø 0,4mm gas connection 6mm

SALVIS

Combine series



fig.	GEV No.	description	Ref. No.
1	102902	pilot burner 2 flames	1G820051
2	107292	pilot burner bottom part M10x0.9	1G820043
3	107293	knurled nut for pilot burner nozzle M10x0.9	1G820042

Smartline series



fig.	GEV No.	description	Ref. No.
1	102906	pilot burner 1 flame gas connection 6mm mounting thread M5	1G564253

SILKO

650, 700, 909 (2) series



fig.	GEV No.	description	Ref. No.
1	100128	pilot burner 2 flames right	SIR0100799
2	100127	pilot burner type P0195 2 flames left	SIR0100800



fig.	GEV No.	description	gas type	code	Qty (pcs)
1	107649	pilot burner nozzle	LPG	20	1
1	107172	pilot burner nozzle	LPG	25	1
1	107650	pilot burner nozzle	LPG	30	1
1	107173	pilot burner nozzle	NG	35	1
1	107174	pilot burner nozzle	NG	41	1
1	102686	pilot burner nozzle	NG	45	1
1	107175	pilot burner nozzle	NG	51	1



fig.	GEV No.	description	for pipe ø	Qty (pcs)
1	100870	olive	4mm	1
1	106735	olive	4mm	5
2	101283	union screw	4mm	1
2	102583	union screw	4mm	10
3	101857	olive	6mm	1
3	106736	olive	6mm	5
4	100909	union screw	6mm	1
4	102509	union screw	6mm	5

fig.	GEV No.	description	for pipe ø	Qty (pcs)
1	100904	locking screw	4mm	1
1	102504	locking screw	4mm	5
1	100905	locking screw	6mm	1
1	102505	locking screw	6mm	5

fig.	GEV No.	description
1	102507	screw connection for thermocouple M10x1 Qty 5 pcs
1	100907	screw connection thread M10x1 Qty 1 pcs for thermocouple

fig.	GEV No.	description
1	101452	ignition electrode support for burner type C/D suitable for series 900
2	101454	union screw for igniter M10x1 ID ø 7mm L 15mm
3	101453	bracket for thermocouple gas range for burner type C/D suitable for 900 series
4	100907	screw connection thread M10x1 Qty 1 pcs for thermocouple

650 / 700 / 809 / 909 / 1100 series

fig.	GEV No.	description	Ref. No.
1	100145	pilot burner SIT type 100 series 2 flames nozzle ø 0,2mm	0000X19000
2	100099	pilot burner cap 1 flame suitable for series 100	Y20300

700 / 900 / NP70 / NP90 series

fig.	GEV No.	description
1	103074	venturi for burner cap ø 102mm with pilot burner suitable for series 900
2	107422	venturi for burner cap ø 64mm with pilot burner suitable for series 900

fig.	GEV No.	description	Ref. No.
3	107701	pilot burner bottom part SIT series 100 nozzle ø 0,2mm	X19900
3	107700	pilot burner bottom part SIT series 100 nozzle ø 0,25mm	—
3	107702	pilot burner bottom part SIT series 100 nozzle ø 0,35mm	—
3	100880	pilot burner bottom part SIT series 100 nozzle ø 0,4mm	—

SOLYMAC

fig.	GEV No.	description
1	106387	pilot burner 1 flame gas connection 6mm without nozzle
2	106385	pilot burner nozzle LPG code 22 bore ø 0,22mm M5x0,75 Qty 1 pcs brass
2	106429	pilot burner nozzle natural gas bore ø 0,35mm M5x0,75 WS 6
2	106386	pilot burner nozzle natural gas code 40 bore ø 0,4mm M5x0,75 Qty 1 pcs brass

fig.	GEV No.	description	gas type	ø (mm)	Qty (pcs)
1	100245	pilot burner nozzle	LPG	0.2	1
1	102545	pilot burner nozzle	LPG	0.2	5
1	100246	pilot burner nozzle	NG	0.35	1
1	102546	pilot burner nozzle	NG	0.35	5
1	102972	pilot burner nozzle	NG	0.4	1



SOUTHBEND



fig.	GEV No.	description	Ref. No.
1	107420	pilot burner 2 flames gas connection 3,3mm	1038099

STAR 10



fig.	GEV No.	description	Ref. No.
1	100145	pilot burner SIT type 100 series 2 flames nozzle ø 0,2mm	0000X19000

TECNOINOX



fig.	GEV No.	description
1	100858	pilot burner SIT type 100 series 2 flames nozzle ø 0,2mm

THERMA

Thermaline S90 series (version 1)



fig.	GEV No.	description
1	102956	pilot burner type C without nozzle
2	102957	pilot burner type D without nozzle
3	102958	pilot burner type E without nozzle

fig.	GEV No.	description	gas type	ø (mm)	gas pressure (mbar)
1	101849	pilot burner nozzle	LPG	0.16	50
1	101589	pilot burner nozzle	LPG	0.18	50
1	101534	pilot burner nozzle	LPG	0.19	50
1	100235	pilot burner nozzle	LPG	0.2	50
1	101864	pilot burner nozzle	LPG	0.24	30
1	100979	pilot burner nozzle	LPG	0.25	30
1	101543	pilot burner nozzle	NG	0.3	20
1	101588	pilot burner nozzle	NG	0.32	20
1	100236	pilot burner nozzle	NG	0.35	20
1	101865	pilot burner nozzle	NG	0.41	20

fig.	GEV No.	description	for pipe ø	Qty (pcs)
1	101284	olive	4mm	1
1	102584	olive	4mm	10
2	101285	union screw	4mm	1
2	102585	union screw	4mm	10

fig.	GEV No.	description
1	103219	pilot burner slit width 0,8mm bore ø 3mm total length 50mm WS 20
2	101843	base plate for pilot burner H 18mm C
2	101844	base plate for pilot burner H 15mm D
2	101845	base plate for pilot burner H 11mm E
3	102962	base plate for pilot burner H 18mm C
3	102963	base plate for pilot burner H 15mm D
3	102964	base plate for pilot burner H 11mm E

fig.	GEV No.	description
4	101587	gasket for pilot burner without ignition electrode
5	101835	pilot burner bottom part C
5	101834	pilot burner bottom part D
5	101586	pilot burner bottom part E
6	102966	air mixing sleeve ø 10mm H 8mm
7	102965	ignition electrode connection F 2,8x0,8mm



fig.	GEV No.	description
8	101841	igniter screw M12x1
9	101839	screw connection for thermocouple bore ø 5mm M12x1 WS 12 brass
10	101842	cap for pilot burner

fig.	GEV No.	description
1	101903	pilot burner cap for mixing pipe version
2	101780	pilot burner cap with screw connection for igniton electrode
3	101587	gasket for pilot burner without ignition electrode
3	101781	gasket for pilot burner with ignition electrode

Thermaline S90 series (version 2)

fig.	GEV No.	description
1	101856	pilot burner with nozzles

fig.	GEV No.	description
4	101583	pilot burner head slit width 0,8mm bore ø 3mm ø 6mm M7x0,75mm total length 22mm WS 8
5	101854	pilot burner bottom part
6	101474	air mixing tube for pilot burner
7	101779	ignition electrode D1 ø 7mm connection M4 D2 ø 9mm L1 10mm L2 5mm BL1 18mm BL2 3mm BL3 23mm to clip
8	100906	screw connection thread M10x1 Qty 1 pcs for igniter
9	101585	thermocouple screw connection

fig.	GEV No.	description	gas type	ø (mm)	gas pressure (mbar)
1	101849	pilot burner nozzle	LPG	0.16	50
1	101589	pilot burner nozzle	LPG	0.18	50
1	101534	pilot burner nozzle	LPG	0.19	50
1	100235	pilot burner nozzle	LPG	0.2	50
1	101864	pilot burner nozzle	LPG	0.24	30
1	100979	pilot burner nozzle	LPG	0.25	30
1	101543	pilot burner nozzle	NG	0.3	20
1	101588	pilot burner nozzle	NG	0.32	20
1	100236	pilot burner nozzle	NG	0.35	20
1	101865	pilot burner nozzle	NG	0.41	20

fig.	GEV No.	description
10	101584	cap M12x1
11	101848	cover for pilot burner

fig.	GEV No.	description	for pipe ø	Qty (pcs)
1	101284	olive	4mm	1
1	102584	olive	4mm	10
2	101285	union screw	4mm	1
2	102585	union screw	4mm	10

Thermaline 800 / 900 series

fig.	GEV No.	description	Ref. No.
1	102916	cap for pilot burner	0K5767
2	102917	cap for pilot burner	0K5768
3	106247	double nipple T1 M10x1 T2 M10x1	0K5715



THIELMANN



fig.	GEV No.	description	Ref. No.
1	102829	pilot burner type C	193301
2	102830	pilot burner type D/E	193303



fig.	GEV No.	description	gas type	code	Qty (pcs)
1	107649	pilot burner nozzle	LPG	20	1
1	107172	pilot burner nozzle	LPG	25	1
1	107650	pilot burner nozzle	LPG	30	1
1	107173	pilot burner nozzle	NG	35	1
1	107174	pilot burner nozzle	NG	41	1
1	102686	pilot burner nozzle	NG	45	1
1	107175	pilot burner nozzle	NG	51	1



fig.	GEV No.	description	for pipe ø	Qty (pcs)
1	100870	olive	4mm	1
1	106735	olive	4mm	5
2	101283	union screw	4mm	1
2	102583	union screw	4mm	10
3	101857	olive	6mm	1
3	106736	olive	6mm	5
4	100909	union screw	6mm	1
4	102509	union screw	6mm	5

VULCAN HART



fig.	GEV No.	description	Ref. No.
1	107391	pilot burner 4 flames 3/16"	110662G1
2	107413	pilot burner type 43U4	114645-1

WAMSLER



fig.	GEV No.	description	Ref. No.
1	103181	pilot burner	—
2	103182	pilot burner	—

pilot burner nozzles



fig.	GEV No.	gas type	ø (mm)	Qty (pcs)	fig.	GEV No.	gas type	ø (mm)	Qty (pcs)
1	100214	LPG	0.16	1	1	100215	NG	0.28	1
1	102514	LPG	0.16	5	1	102515	NG	0.28	5
1	102793	LPG	0.23	1					

screw pipe fittings



fig.	GEV No.	for pipe ø	Qty (pcs)	fig.	GEV No.	for pipe ø	Qty (pcs)
1	101284	4mm	1	2	101285	4mm	1
1	102584	4mm	10	2	102585	4mm	10

miscellaneous




fig.	GEV No.	description
1	102919	pilot burner cap
2	102921	threaded part for pilot burner
3	102920	pilot burner bracket suitable for WAMSLER
4	106932	pilot burner bracket L 80mm W 22mm suitable for WAMSLER



fig.	GEV No.	description
5	102918	cover for pilot burner



WOLF



1

fig.	GEV No.	description	Ref. No.
1	107391	pilot burner 4 flames 3/16"	6770A




1 2 3 4

fig.	GEV No.	description
1	100917	gasket for pilot burner Qty 1 pcs aluminium
1	102717	gasket for pilot burner Qty 5 pcs aluminium
2	100916	compression spring for pilot burner Qty 1 pcs
2	102716	compression spring for pilot burner Qty 5 pcs
3	100918	screw for pilot burner
4	101342	cover for pilot burner

ZANUSSI

900 / H900 / 1000 series



1


fig.	GEV No.	description	Ref. No.
1	107138	pilot burner SIT type 100 series 1 flame natural gas nozzle ø 0,35mm	056751

HD900 series




1

fig.	GEV No.	description	Ref. No.
1	100094	pilot burner SIT type 140 series 1 flame for thermocouple ø 5mm	059214




1

fig.	GEV No.	description	gas type	ø (mm)	Qty (pcs)
1	100245	pilot burner nozzle	LPG	0.2	1
1	102545	pilot burner nozzle	LPG	0.2	5
1	100246	pilot burner nozzle	NG	0.35	1
1	102546	pilot burner nozzle	NG	0.35	5
1	102972	pilot burner nozzle	NG	0.4	1




1

fig.	GEV No.	description	gas type	code	Qty (pcs)
1	100204	pilot burner nozzle	LPG	14	1
1	102604	pilot burner nozzle	LPG	14	5
1	100207	pilot burner nozzle	NG	27	1
1	102607	pilot burner nozzle	NG	27	5



1

fig.	GEV No.	description	for pipe ø	Qty (pcs)
1	100904	locking screw	4mm	1
1	102504	locking screw	4mm	5
1	100905	locking screw	6mm	1
1	102505	locking screw	6mm	5



1 2 3 4

fig.	GEV No.	description	for pipe ø	Qty (pcs)
1	100897	olive	4mm	1
1	106737	olive	4mm	5
2	100908	union screw	4mm	1
2	102508	union screw	4mm	5
3	100898	olive	6mm	1
3	106738	olive	6mm	5
4	100909	union screw	6mm	1
4	102509	union screw	6mm	5



fig.	GEV No.	description
1	100701	ignition electrode connection M4 Qty 1 pcs
1	106834	ignition electrode connection M4 Qty 5 pcs
2	100906	screw connection thread M10x1 Qty 1 pcs for igniter
2	102506	screw connection thread M10x1 Qty 5 pcs for igniter
3	100907	screw connection thread M10x1 Qty 1 pcs for thermocouple
3	102507	screw connection for thermocouple M10x1 Qty 5 pcs
4	100182	cover for pilot burner Qty 1 pcs

N700 series



fig.	GEV No.	description	Ref. No.
1	102484	pilot burner 2 flames for N700/N900 from serial no. 646	0C3644
2	106789	pilot burner 2 flames for N700/N900 from serial no. 646	—



fig.	GEV No.	description	gas type	code	Qty (pcs)
1	107649	pilot burner nozzle	LPG	20	1
1	107172	pilot burner nozzle	LPG	25	1
1	107650	pilot burner nozzle	LPG	30	1
1	107173	pilot burner nozzle	NG	35	1
1	107174	pilot burner nozzle	NG	41	1
1	102686	pilot burner nozzle	NG	45	1
1	107175	pilot burner nozzle	NG	51	1



fig.	GEV No.	description	for pipe ø	Qty (pcs)
1	100870	olive	4mm	1
1	106735	olive	4mm	5
2	101283	union screw	4mm	1
2	102583	union screw	4mm	10
3	101857	olive	6mm	1
3	106736	olive	6mm	5
4	100909	union screw	6mm	1
4	102509	union screw	6mm	5

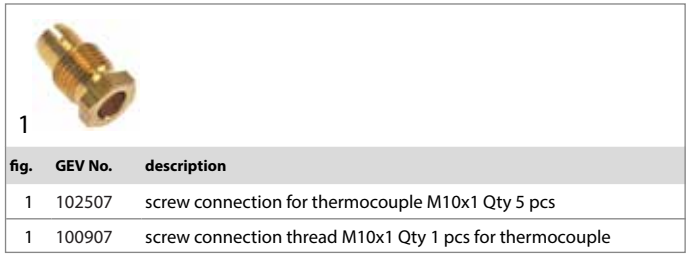


fig.	GEV No.	description
1	102507	screw connection for thermocouple M10x1 Qty 5 pcs
1	100907	screw connection thread M10x1 Qty 1 pcs for thermocouple

Janus 1100 series

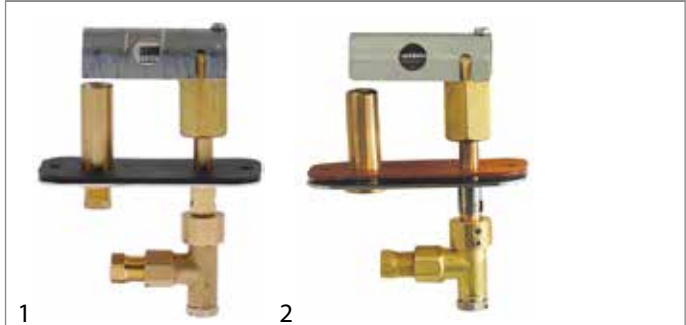


fig.	GEV No.	description	Ref. No.
1	100856	pilot burner EGA type A LPG	—
2	100857	pilot burner EGA type A natural gas	—



fig.	GEV No.	description	gas type	ø (mm)	Qty (pcs)
1	100245	pilot burner nozzle	LPG	0.2	1
1	102545	pilot burner nozzle	LPG	0.2	5
1	100246	pilot burner nozzle	NG	0.35	1
1	107170	pilot burner nozzle	NG	0.35	1
1	102546	pilot burner nozzle	NG	0.35	5
1	102972	pilot burner nozzle	NG	0.4	1
1	102973	pilot burner nozzle	NG	0.45	1
1	107171	pilot burner nozzle	NG/LPG	0.25	1



fig.	GEV No.	description
1	100853	pilot burner cap
2	100963	pilot burner tap head
3	100962	pilot burner head
4	100964	cover for pilot burner



fig.	GEV No.	description
5	100847	pilot burner centre part
6	100806	gasket for pilot burner
7	101598	pilot burner bottom part LPG bore ø 0,2mm
7	101599	pilot burner bottom part natural gas bore ø 0,35mm

Table continues overleaf



fig.	GEV No.	description
8	100904	locking screw M10x1 for pipe ø4mm Qty 1 pcs
8	102504	locking screw M10x1 for pipe ø4mm Qty 5 pcs
9	100917	gasket for pilot burner Qty 1 pcs aluminium
9	102717	gasket for pilot burner Qty 5 pcs aluminium
10	100916	compression spring for pilot burner Qty 1 pcs
10	102716	compression spring for pilot burner Qty 5 pcs
11	100918	screw for pilot burner

electrodes

universal

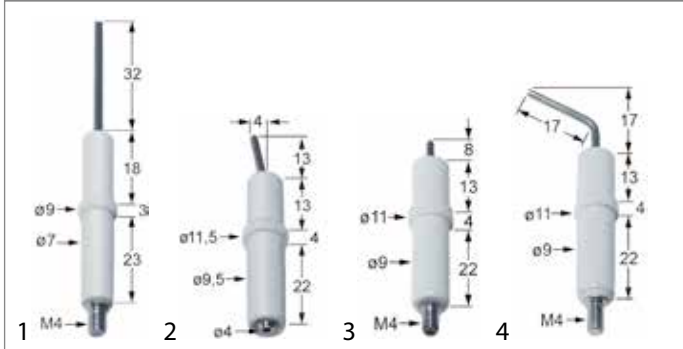


fig.	GEV No.	description	fig.	GEV No.	description
1	100701	ignition electrode	3	100703 ¹	ignition electrode
2	100702 ¹	ignition electrode	4	100704 ¹	ignition electrode

¹type Junkers

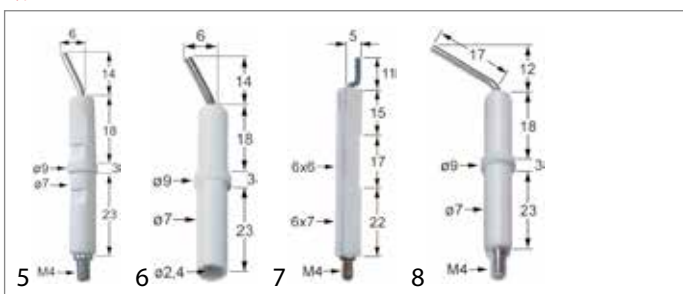


fig.	GEV No.	description	fig.	GEV No.	description
5	100706	ignition electrode	7	100708	ignition electrode
6	100707	ignition electrode	8	100719 ¹	ignition electrode

¹type Junkers

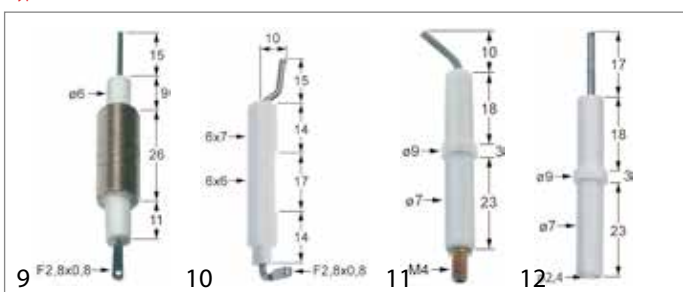


fig.	GEV No.	description	fig.	GEV No.	description
9	100721	ignition electrode	11	101779	ignition electrode
10	100798	ignition electrode	12	106619	ignition electrode

Aliberinox

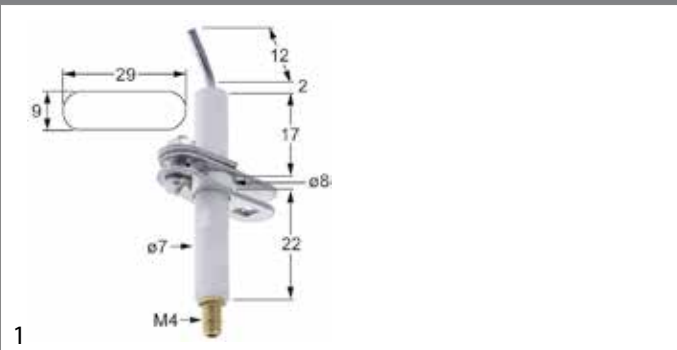


fig.	GEV No.	description	Ref. No.
1	107468	ignition electrode	SEW932

Alpeninox

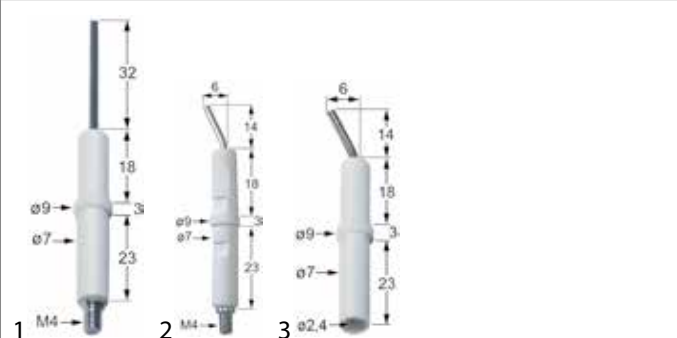


fig.	GEV No.	description	Ref. No.
1	100701	ignition electrode	0A2473
2	100706	ignition electrode	300035
3	100707	ignition electrode	—

Ambach

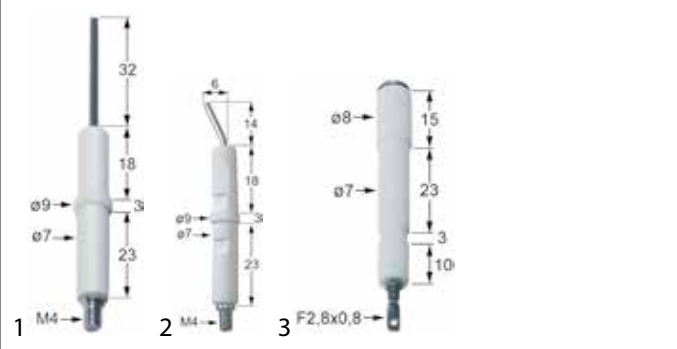


fig.	GEV No.	description	Ref. No.
1	100701	ignition electrode	5062606677
2	100706	ignition electrode	5062607632
3	100715	ignition electrode	5062602389

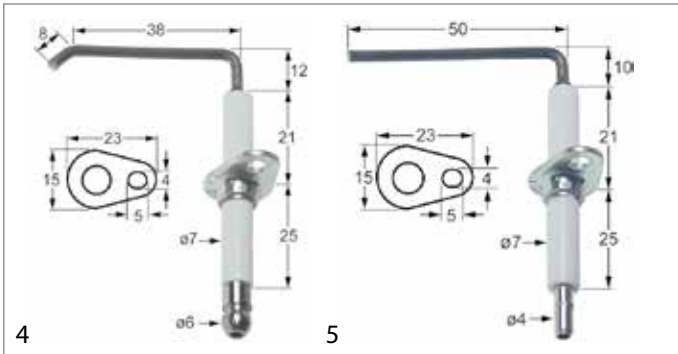


fig.	GEV No.	description	Ref. No.
4	101788	ignition electrode	3562614387
5	101789	ignition electrode	3562614388



fig.	GEV No.	description	Ref. No.
6	102165	ignition electrode	3562615503
7	102166	ignition electrode	3562615504

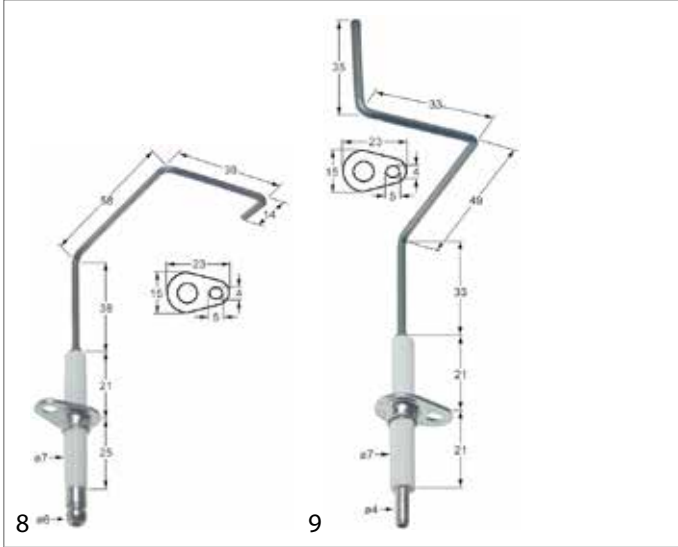


fig.	GEV No.	description	Ref. No.
8	102167	ignition electrode	3562614697
9	102168	ignition electrode	3562614698

Angelo-Po



fig.	GEV No.	description	Ref. No.
1	100701	ignition electrode	32T0190
2	100708	ignition electrode	32T0140
3	100712	ignition electrode	32T0080
4	100736	ignition electrode	32T0142

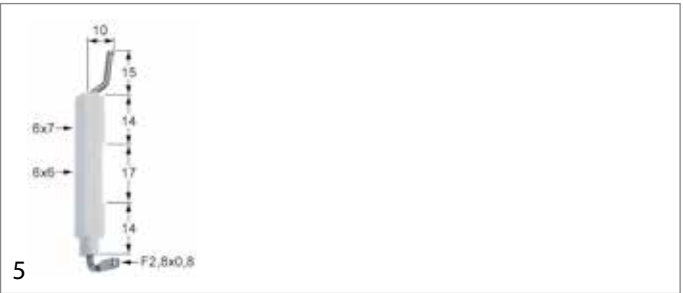


fig.	GEV No.	description	Ref. No.
5	100798	ignition electrode	32T0010

Anitec

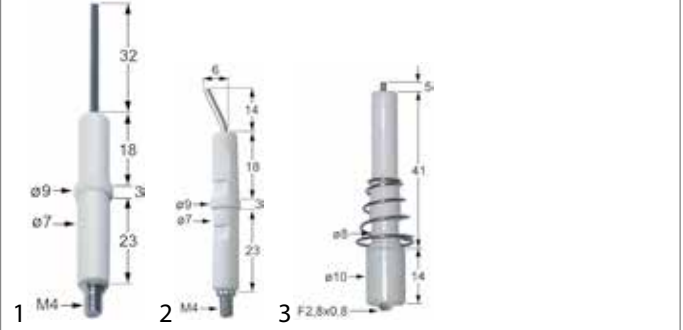


fig.	GEV No.	description	Ref. No.
1	100701	ignition electrode	X13001
2	100706	ignition electrode	X14600
3	100729	ignition electrode	068032

Arris/Grillvapor

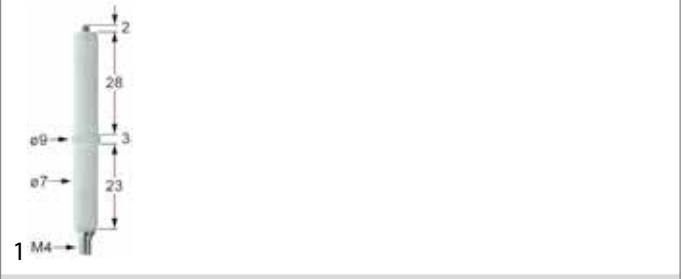


fig.	GEV No.	description	Ref. No.
1	102314	ignition electrode	90.028



ATAG

fig.	GEV No.	description	Ref. No.
1	100724	ignition electrode	—

Bartscher

fig.	GEV No.	description	Ref. No.
1	100724	ignition electrode	010288

Baron

fig.	GEV No.	description	Ref. No.
1	100701	ignition electrode	BN41826650010
2	100703	ignition electrode	MA636700
3	100706	ignition electrode	BN41853310150
4	100707	ignition electrode	BN6A013302

Bertos

fig.	GEV No.	description	Ref. No.
1	100167	ignition electrode	31187800
2	100701	ignition electrode	22296900
3	100706	ignition electrode	22298332

fig.	GEV No.	description	Ref. No.
5	102314	ignition electrode	BN4185326010061
6	102335	ignition electrode	BN3104900
7	106619	ignition electrode	BN6A013301

fig.	GEV No.	description	Ref. No.
4	100709	ignition electrode	35187600
5	100729	ignition electrode	22296100
6	100733	ignition electrode	22296200

fig.	GEV No.	description	Ref. No.
7	100822	ignition electrode	31187000
8	102161	ignition electrode	35187800

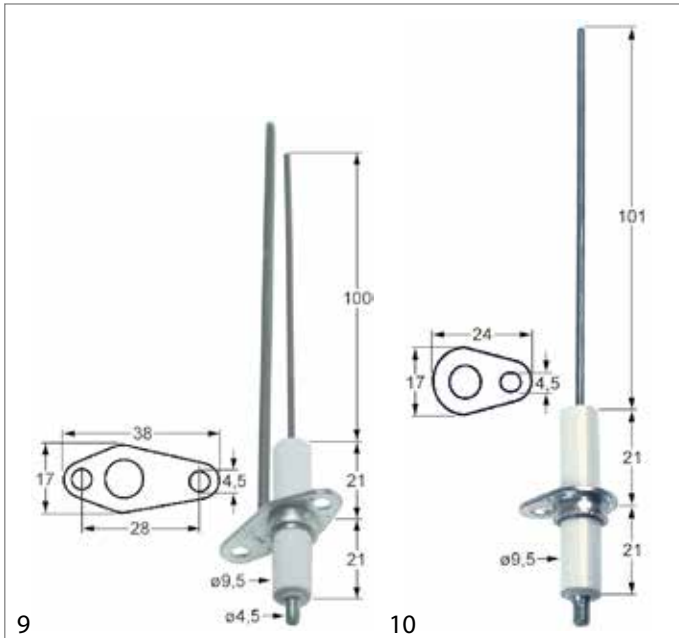


fig.	GEV No.	description	Ref. No.
9	102322	ignition electrode	31187400
10	102323	ignition electrode	31187600



fig.	GEV No.	description	Ref. No.
11	102342	ignition electrode	25297600

Bonnet

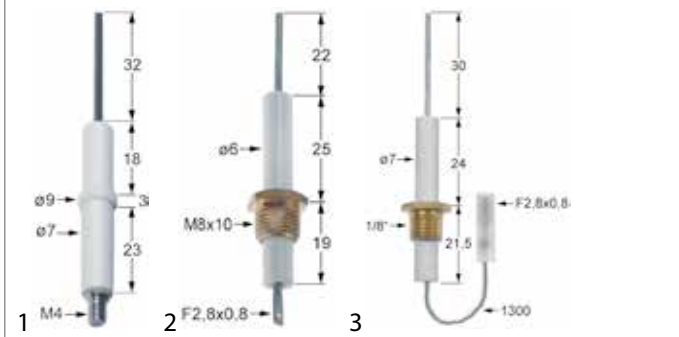


fig.	GEV No.	description	Ref. No.
1	100701	ignition electrode	308480
2	102892	ignition electrode	308468
3	102981	ignition electrode	308469

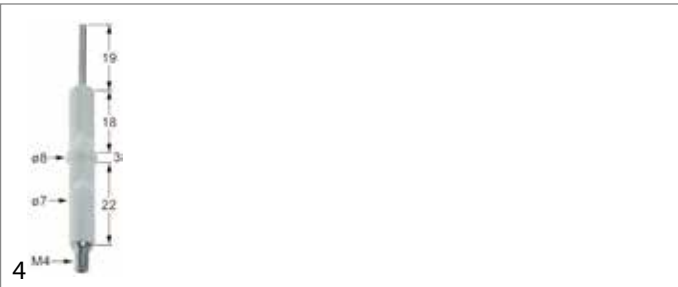


fig.	GEV No.	description	Ref. No.
4	106516	monitoring electrode	308480

Bourgeois

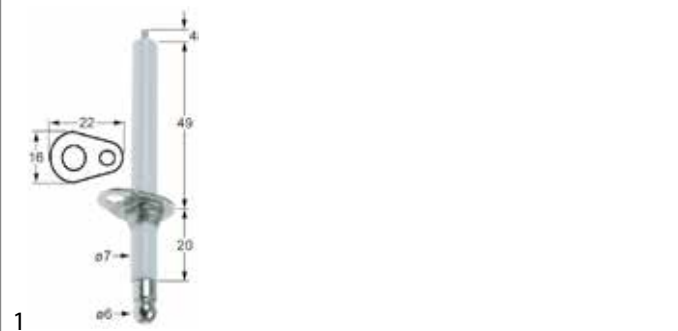


fig.	GEV No.	description	Ref. No.
1	106928	ignition electrode	ALLU009

Capic



fig.	GEV No.	description	Ref. No.
1	100706	ignition electrode	G207511
2	102892	ignition electrode	G207534
3	102907	ignition electrode	G101030

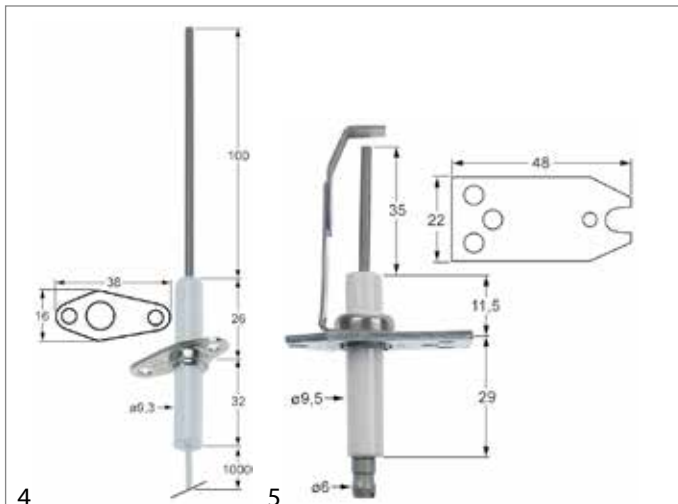


fig.	GEV No.	description	Ref. No.
4	104448	ignition electrode	G207536
5	104637	ignition electrode	G101034

Casta



fig.	GEV No.	description	Ref. No.
1	100706	ignition electrode	770026

CB

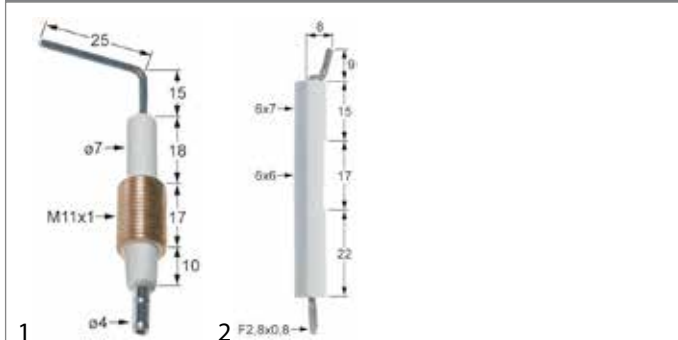


fig.	GEV No.	description	Ref. No.
1	100705	ignition electrode	08080003
2	102903	ignition electrode	08082327

Charvet



fig.	GEV No.	description	Ref. No.
1	100707	ignition electrode	05315A

Convotherm

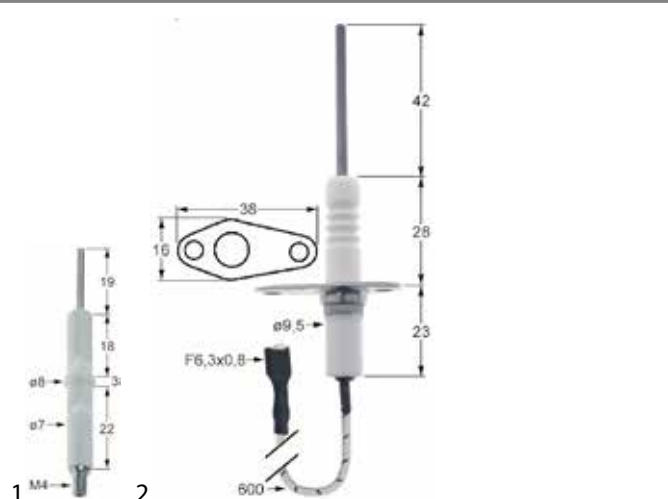


fig.	GEV No.	description	Ref. No.
1	106516	monitoring electrode	4008104
2	109183 ¹	monitoring electrode	2617320

¹with gasket and shrink tube

Cooking-Systems



fig.	GEV No.	description	Ref. No.
1	100701	ignition electrode	C5810139



Cookmax

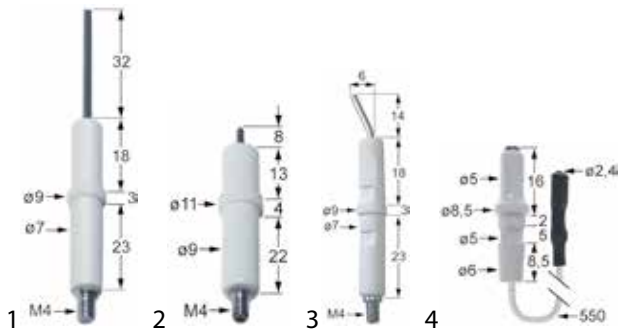


fig.	GEV No.	description	Ref. No.
1	100701	ignition electrode	1949900
2	100703	ignition electrode	636700
3	100706	ignition electrode	GS3856
4	104772	ignition electrode	—

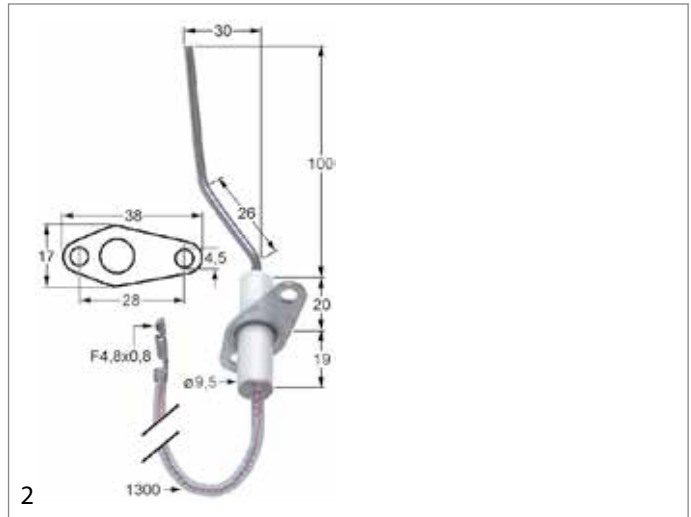


fig.	GEV No.	description	Ref. No.
2	100780	ignition electrode	91310490

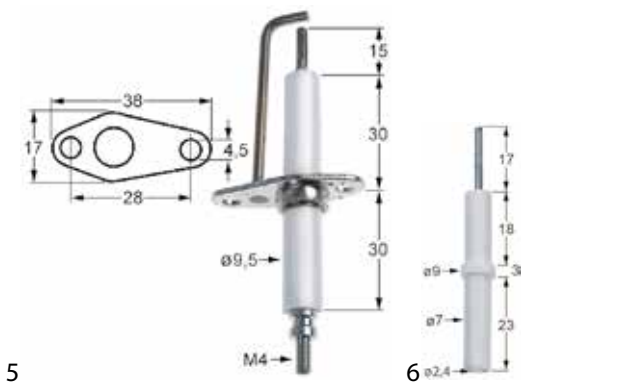


fig.	GEV No.	description	Ref. No.
5	104785	ignition electrode	404530200
6	106619	ignition electrode	6A013301

EKU



fig.	GEV No.	description	Ref. No.
1	100701	ignition electrode	1-W-626
2	100729	ignition electrode	1-W-396

Cuppone



fig.	GEV No.	description	Ref. No.
1	100769	ignition electrode	91310480

Electrolux

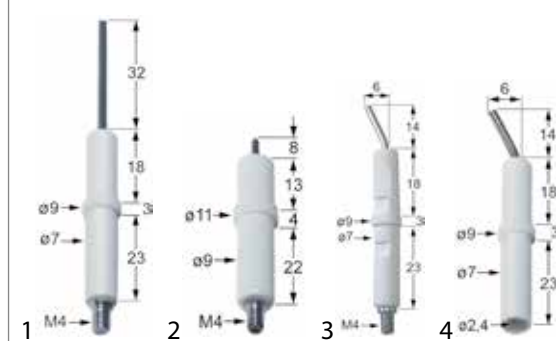


fig.	GEV No.	description	Ref. No.
1	100701	ignition electrode	059380
2	100703	ignition electrode	203190
3	100706	ignition electrode	056754
4	100707	ignition electrode	054336



fig.	GEV No.	description	Ref. No.
5	100717	ignition electrode	054099
6	100724	ignition electrode	0H6257
7	100738	ignition electrode	004970

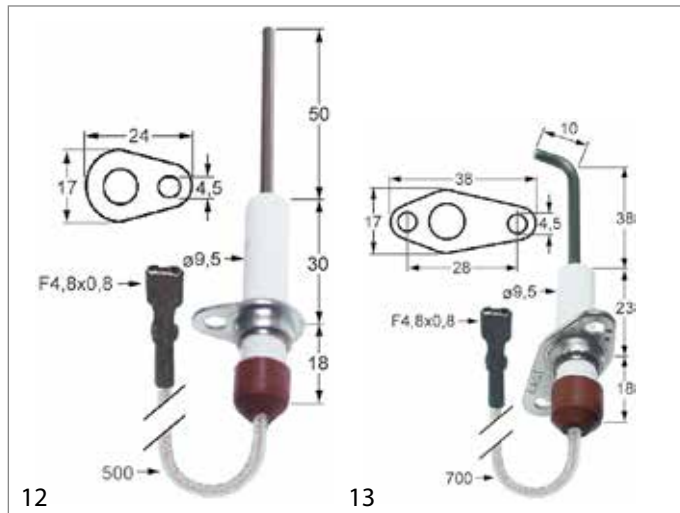


fig.	GEV No.	description	Ref. No.
12	102345	ignition electrode	0C1049
13	102349	ignition electrode	005920

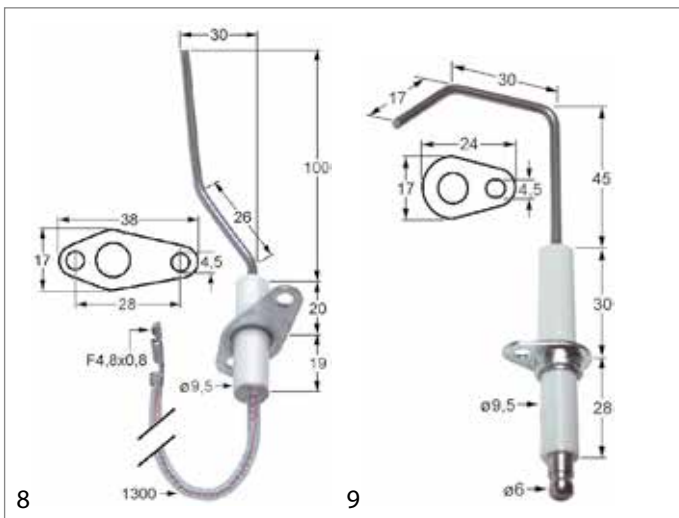


fig.	GEV No.	description	Ref. No.
8	100780	ignition electrode	0C5599
9	102169	ignition electrode	003556



fig.	GEV No.	description	Ref. No.
14	102351	ignition electrode	0C1137



fig.	GEV No.	description	Ref. No.
10	102175	ignition electrode	002638
11	102330	ignition electrode	058337

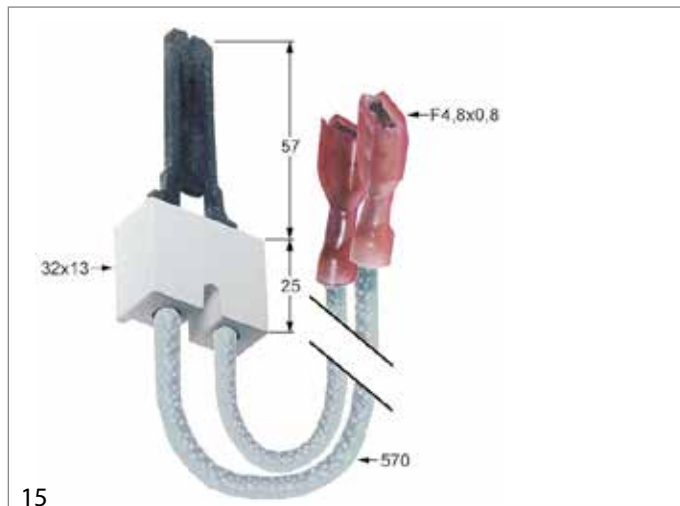


fig.	GEV No.	description	Ref. No.
15	102354	ignition electrode	003471

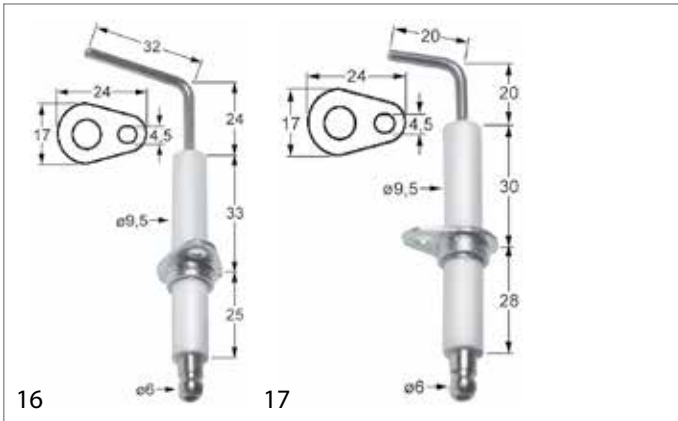


fig.	GEV No.	description	Ref. No.
16	102360	ignition electrode	002344
17	102361	ignition electrode	002637



fig.	GEV No.	description	Ref. No.
18	102362	ignition electrode	0H6803
19	102965	ignition electrode	0K1351



fig.	GEV No.	description	Ref. No.
20	104535	ignition electrode	0C4461
21	106880	ignition electrode	0C5273

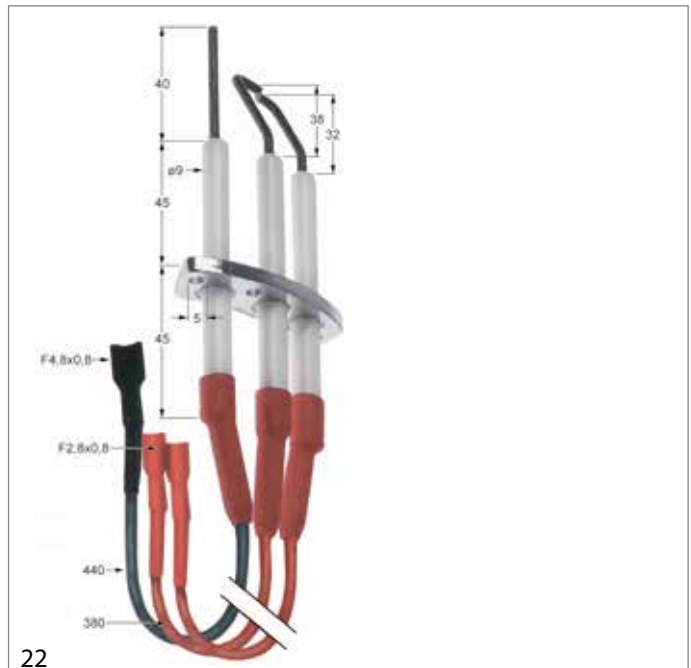


fig.	GEV No.	description	Ref. No.
22	103225	monitoring and ignition electrodes	0C4462

Elettrobar



fig.	GEV No.	description	Ref. No.
1	100701	ignition electrode	611006

Elframo

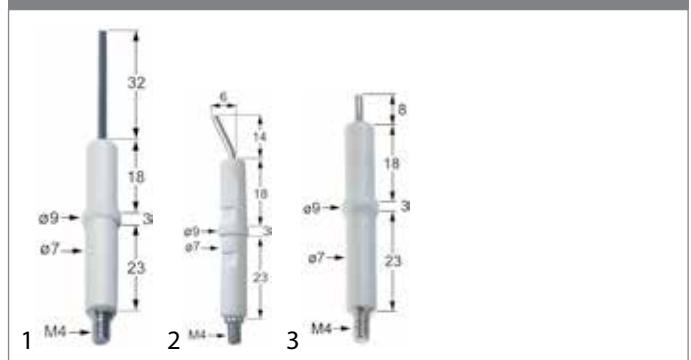


fig.	GEV No.	description	Ref. No.
1	100701	ignition electrode	33110001
2	100706	ignition electrode	33110002
3	102871	ignition electrode	33110003



Faba



fig.	GEV No.	description	Ref. No.
1	100167	ignition electrode	PR3G033

Fage



fig.	GEV No.	description	Ref. No.
1	100707	ignition electrode	CANDELA

Fagor

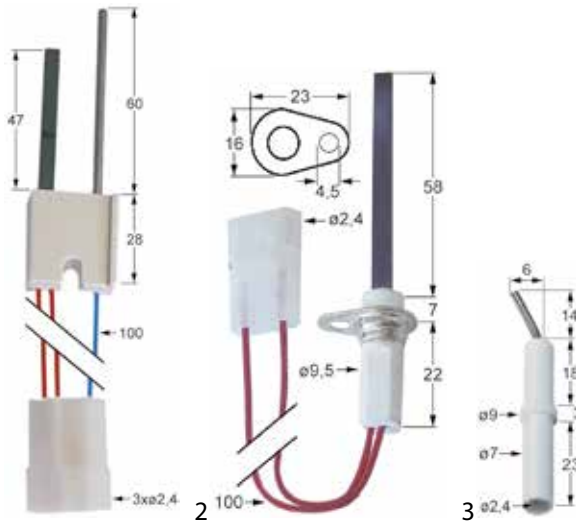


fig.	GEV No.	description	Ref. No.
1	100730	glow plug	12027683
2	100757	glow plug	12017356
3	100707	ignition electrode	12008994

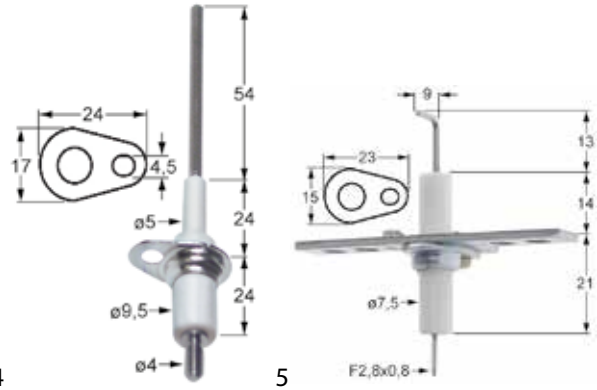


fig.	GEV No.	description	Ref. No.
4	100759	ignition electrode	12023896
5	102446	ignition electrode	12025163



fig.	GEV No.	description	Ref. No.
6	102448	ignition electrode	12018798
7	102765	ignition electrode	12024719

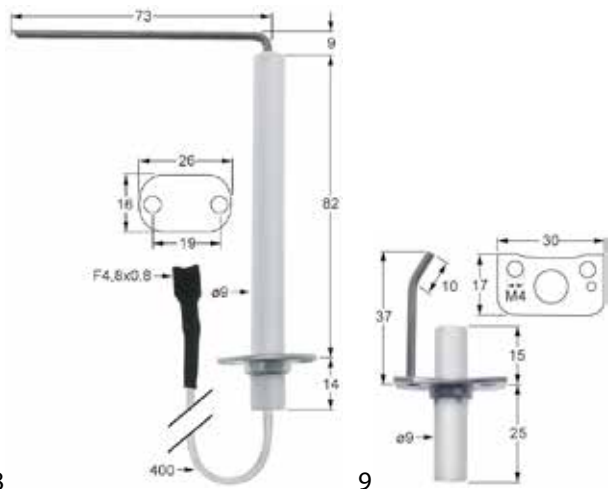


fig.	GEV No.	description	Ref. No.
8	102879	ignition electrode	12038022
9	102882	ignition electrode	12037972

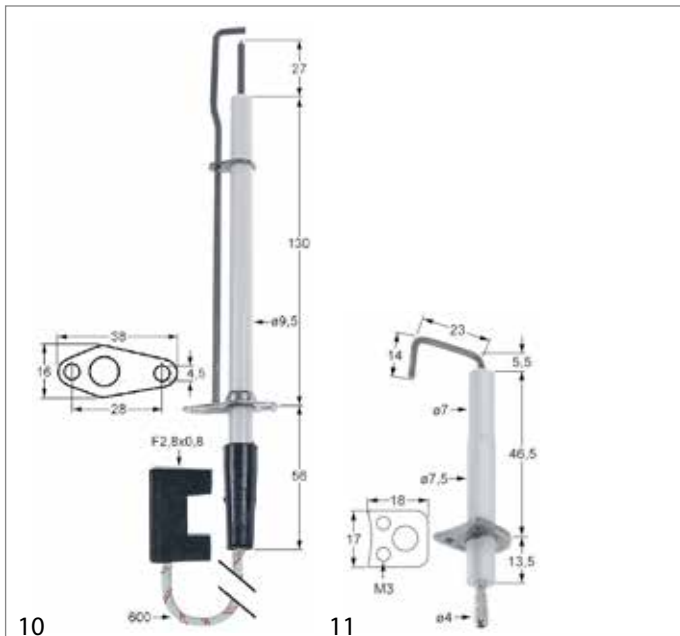


fig.	GEV No.	description	Ref. No.
10	102884	ignition electrode	12028814
11	106728	ignition electrode	12033209

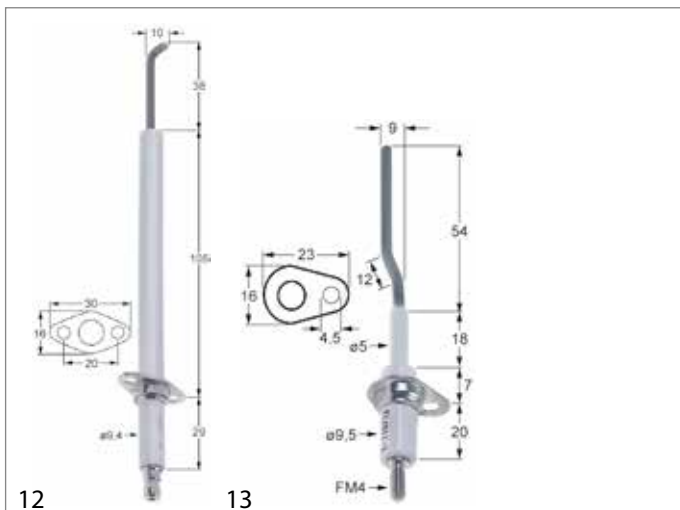


fig.	GEV No.	description	Ref. No.
12	109111	ignition electrode	12024726
13	102447	monitoring electrode	12023920

Falcon

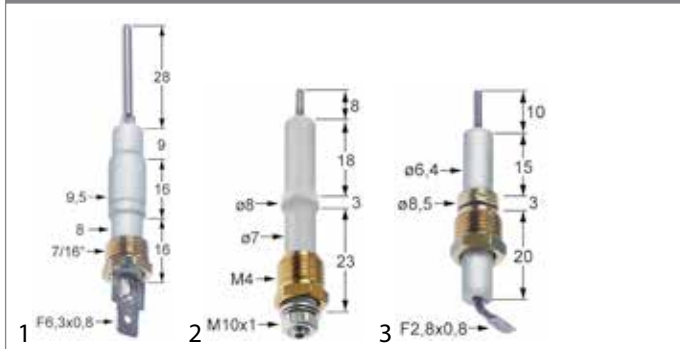


fig.	GEV No.	description	Ref. No.
1	104638	ignition electrode	536003328
2	107280	ignition electrode	530780060
3	107281	ignition electrode	530760010

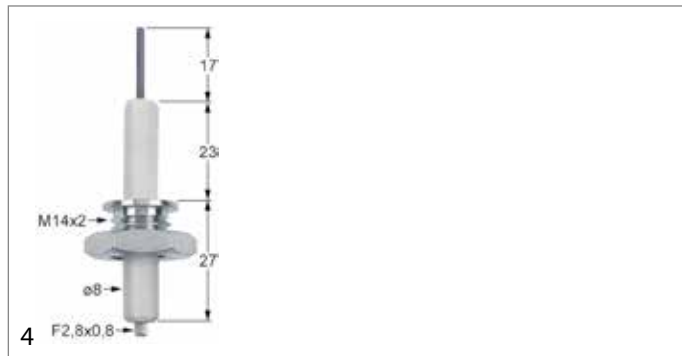


fig.	GEV No.	description	Ref. No.
4	107282	ignition electrode	535480033

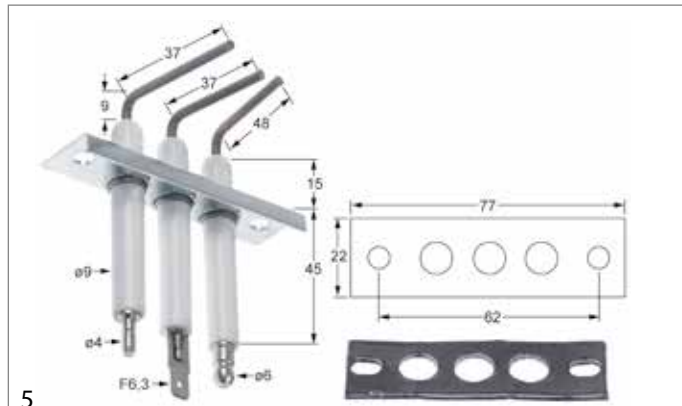


fig.	GEV No.	description	Ref. No.
5	107306	ignition electrode	536060018

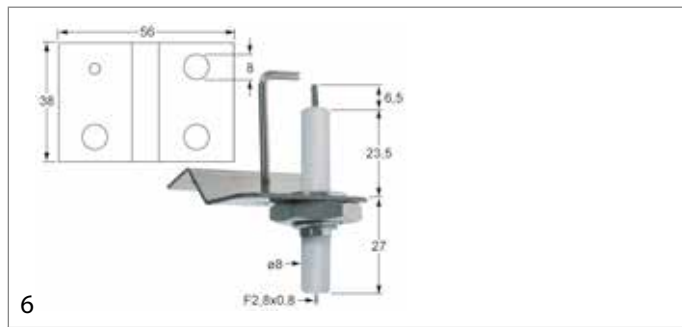


fig.	GEV No.	description	Ref. No.
6	107355	ignition electrode	535700560

Fiamma

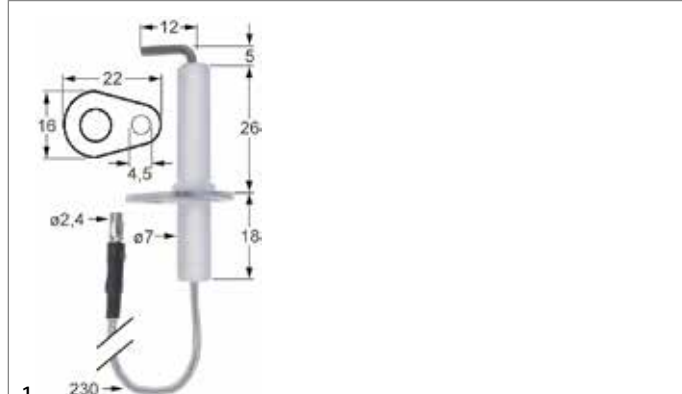


fig.	GEV No.	description	Ref. No.
1	106583	ignition electrode	4.0.100.0075



Fimar



fig.	GEV No.	description	Ref. No.
1	100768	ignition electrode	CO3106

Firex

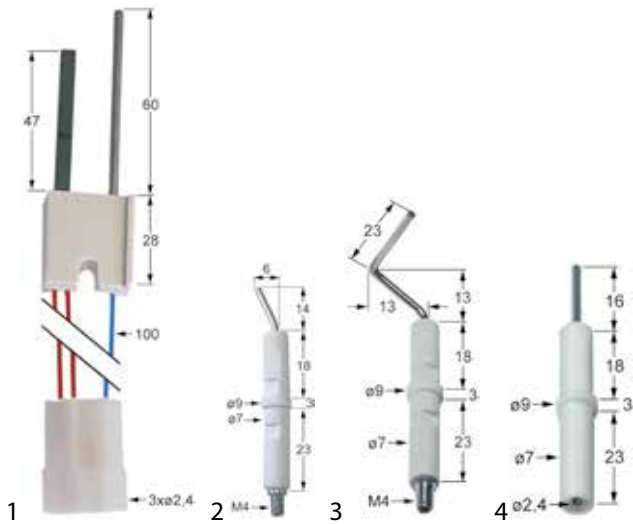


fig.	GEV No.	description	Ref. No.
1	100730	glow plug	—
2	100706	ignition electrode	30100054
3	100709	ignition electrode	30100050
4	102330	ignition electrode	30100052

Foem



fig.	GEV No.	description	Ref. No.
1	100706	ignition electrode	05000078750

Foinox



fig.	GEV No.	description	Ref. No.
1	100706	ignition electrode	0832
2	102342	ignition electrode	11007

Forved



fig.	GEV No.	description	Ref. No.
1	100706	ignition electrode	3152

Franke

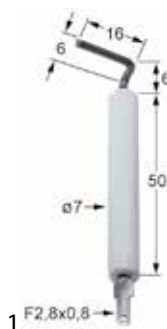


fig.	GEV No.	description	Ref. No.
1	102907	ignition electrode	1G564251



Gasco

fig.	GEV No.	description	Ref. No.
1	100708	ignition electrode	G6058011

GGF

fig.	GEV No.	description	Ref. No.
1	100868	ignition electrode	Candele A.O.10

Gico

fig.	GEV No.	description	Ref. No.
1	100701	ignition electrode	270200700
2	100706	ignition electrode	4398070
3	100796	ignition electrode	792311420
4	102871	ignition electrode	4398060

GIGA

fig.	GEV No.	description	Ref. No.
1	100701	ignition electrode	X13001
2	100706	ignition electrode	X14600
3	100729	ignition electrode	X15000

fig.	GEV No.	description	Ref. No.
4	100733	ignition electrode	X14500
5	100822	ignition electrode	X16800

fig.	GEV No.	description	Ref. No.
6	102467	ignition electrode	AGB019ZR10



Giorik

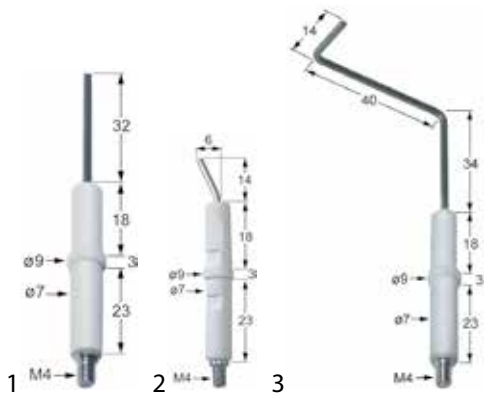


fig.	GEV No.	description	Ref. No.
1	100701	ignition electrode	6010062
2	100706	ignition electrode	6010046
3	102331	ignition electrode	2012109

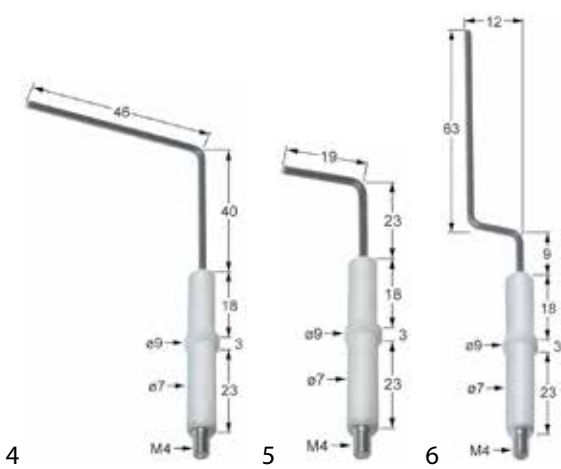


fig.	GEV No.	description	Ref. No.
4	102332	ignition electrode	2012108
5	102333	ignition electrode	2012111
6	102334	ignition electrode	2012110

Haka



fig.	GEV No.	description	Ref. No.
1	100729	ignition electrode	2-990021

Heidebrenner



fig.	GEV No.	description	Ref. No.
1	102863	ignition electrode	93292

Honeywell

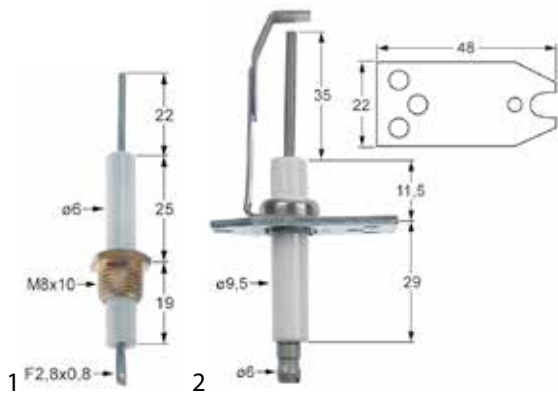


fig.	GEV No.	description	Ref. No.
1	102892	ignition electrode	45900413002B
2	104637	ignition electrode	Q347A-1004

Iberital-Macchine



fig.	GEV No.	description	Ref. No.
1	100701	ignition electrode	9611



Ilsa

fig.	GEV No.	description	Ref. No.
1	100701	ignition electrode	61067
2	100706	ignition electrode	61602
3	102330	ignition electrode	110262

Inoxtrend

fig.	GEV No.	description	Ref. No.
1	102316	ignition electrode	C2494-00

Imperial-USA

fig.	GEV No.	description	Ref. No.
1	106350	ignition electrode	1256

fig.	GEV No.	description	Ref. No.
2	107657	ignition electrode	C9309-32

Indesit

fig.	GEV No.	description	Ref. No.
1	107383	ignition electrode	C00075911
2	107384	ignition electrode	C00052951

Jemi

fig.	GEV No.	description	Ref. No.
1	100711	ignition electrode	210003
2	102330	ignition electrode	210202



Jünger



fig.	GEV No.	description	Ref. No.
1	100743	ignition electrode	401120

Junkers

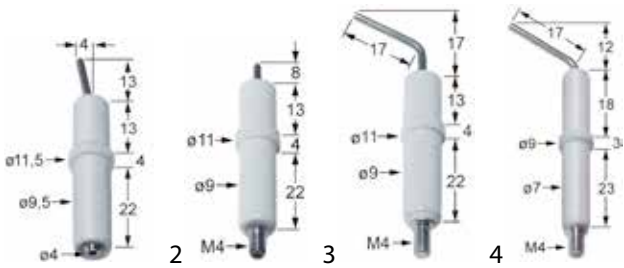


fig.	GEV No.	description	Ref. No.
1	100702	ignition electrode	8 748 107 078
2	100703	ignition electrode	8 748 107 070
3	100704	ignition electrode	8 748 107 073
4	100719	ignition electrode	8 747 107 066

Juno

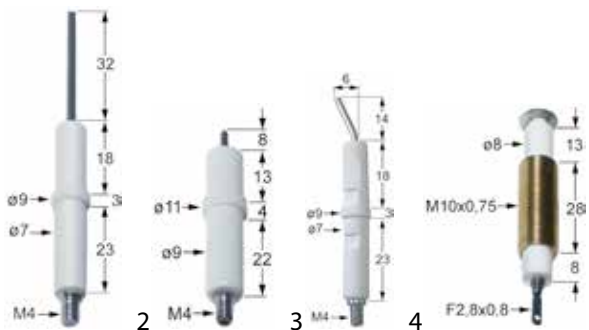


fig.	GEV No.	description	Ref. No.
1	100701	ignition electrode	059380
2	100703	ignition electrode	203190
3	100706	ignition electrode	056754
4	100724	ignition electrode	0H6257

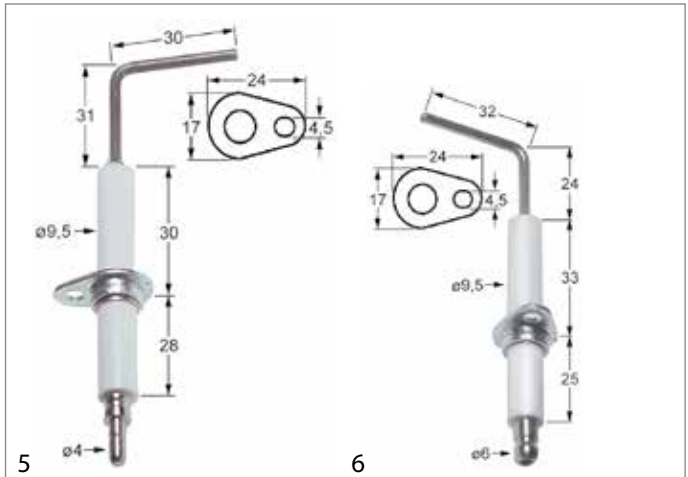


fig.	GEV No.	description	Ref. No.
5	102175	ignition electrode	002638
6	102360	ignition electrode	002344



fig.	GEV No.	description	Ref. No.
7	102362	ignition electrode	0H6803

Komel

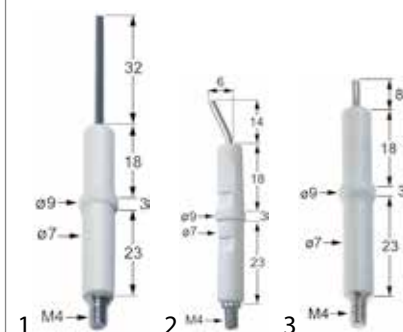


fig.	GEV No.	description	Ref. No.
1	100701	ignition electrode	33110001
2	100706	ignition electrode	33110002
3	102871	ignition electrode	33110003



Krefft

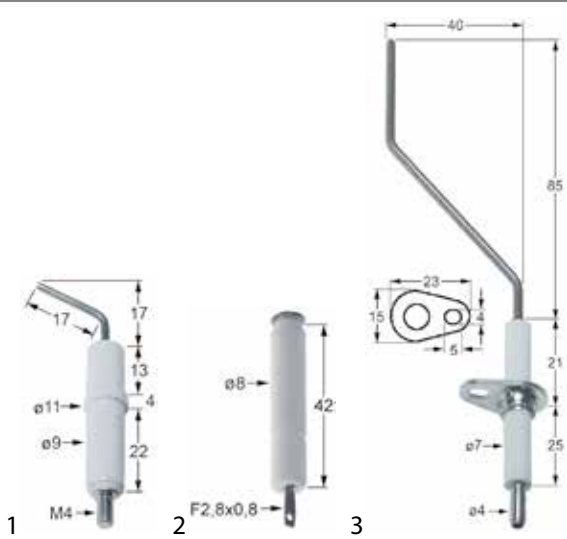


fig.	GEV No.	description	Ref. No.
1	100704	ignition electrode	49-407123
2	100720	ignition electrode	49-185217
3	102166	ignition electrode	42-3562615504



fig.	GEV No.	description	Ref. No.
4	102880	ignition electrode	76-20680152

Küppersbusch

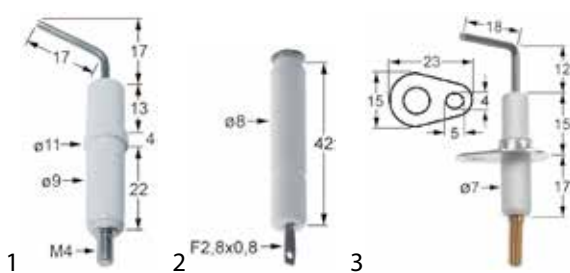


fig.	GEV No.	description	Ref. No.
1	100704	ignition electrode	407123
2	100720	ignition electrode	185217
3	101782	ignition electrode	162800

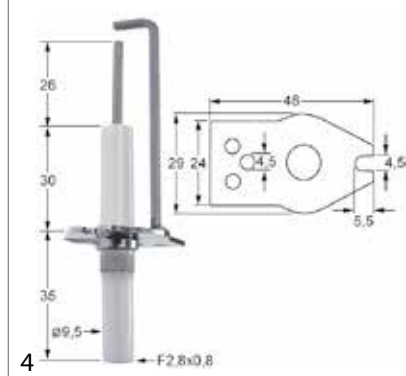


fig.	GEV No.	description	Ref. No.
4	101783	ignition electrode	162805

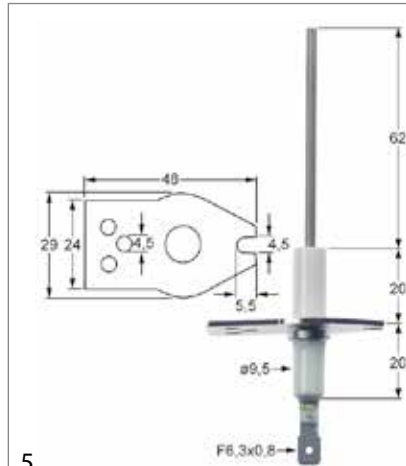


fig.	GEV No.	description	Ref. No.
5	101784	ignition electrode	162806

Lainox

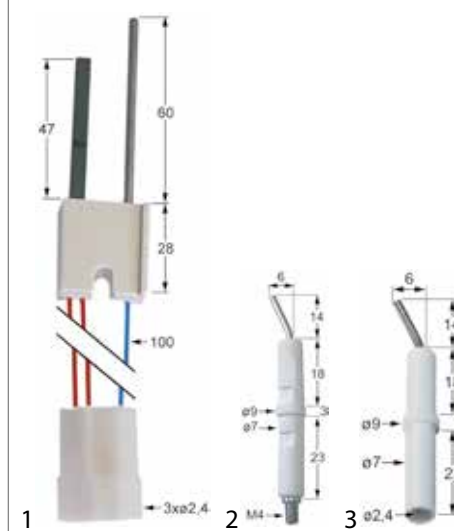


fig.	GEV No.	description	Ref. No.
1	100730	glow plug	LAR63050040
2	100706	ignition electrode	LAR63050010
3	100707	ignition electrode	LAR63050010

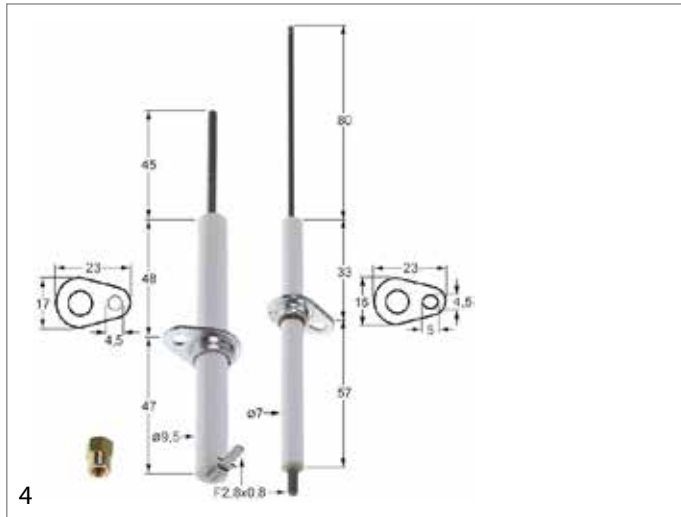


fig.	GEV No.	description	Ref. No.
4	106525	ignition electrode	LAR63050070

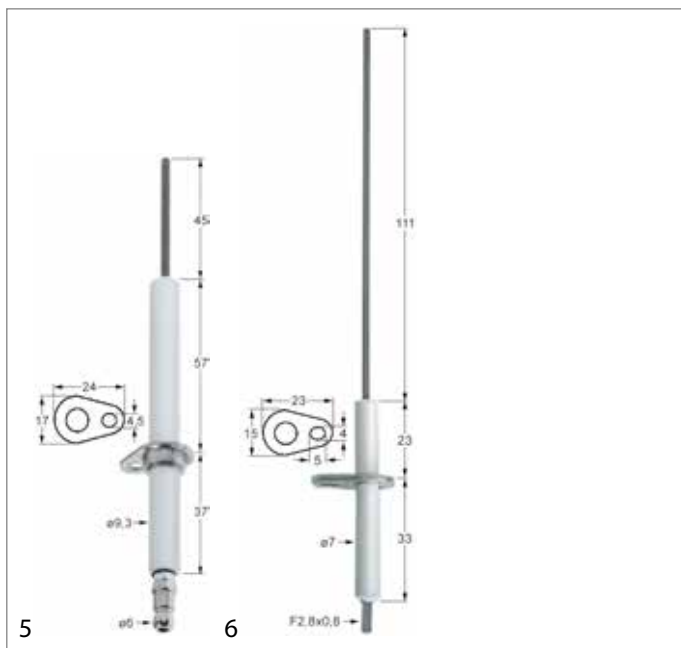


fig.	GEV No.	description	Ref. No.
5	106756	ignition electrode	LAR63050130
6	400172	ignition electrode	LAR63050060

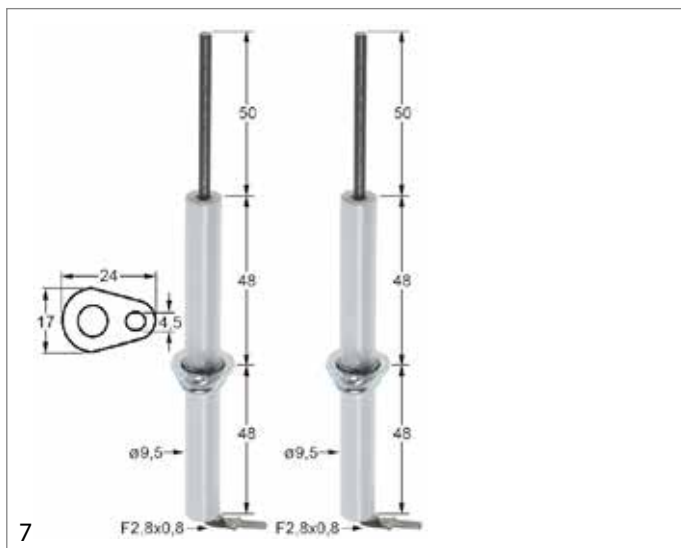


fig.	GEV No.	description	Ref. No.
7	106647	ignition electrode set	LAR63050100

Lincar

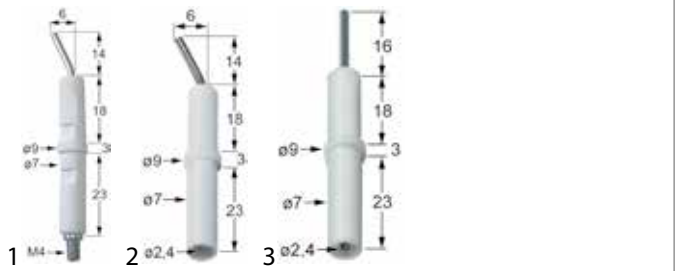


fig.	GEV No.	description	Ref. No.
1	100706	ignition electrode	40020902
2	100707	ignition electrode	009,008
3	102330	ignition electrode	40020900

Lohberger



fig.	GEV No.	description	Ref. No.
1	102965	ignition electrode	52165040
2	103247	ignition electrode	52152050

Lotus

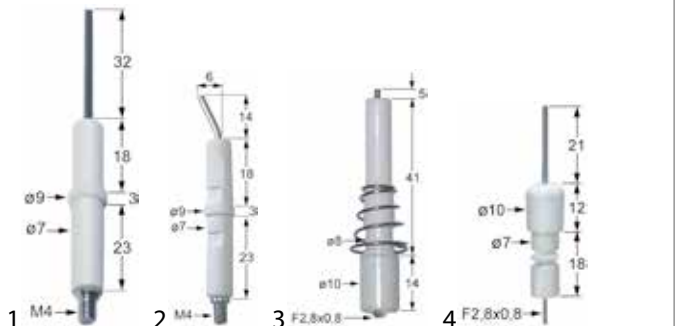


fig.	GEV No.	description	Ref. No.
1	100701	ignition electrode	537003000
2	100706	ignition electrode	30100054
3	100729	ignition electrode	537002700
4	100799	ignition electrode	537002000

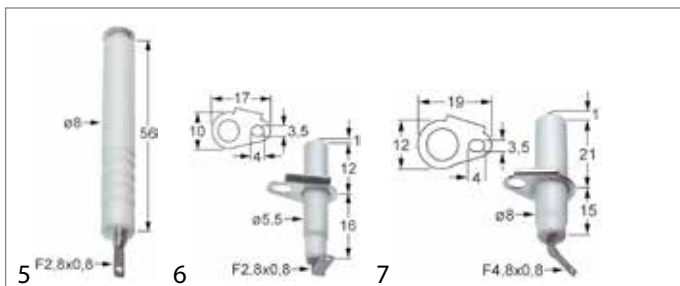


fig.	GEV No.	description	Ref. No.
5	100800	ignition electrode	537010300
6	102326	ignition electrode	537021700
7	102327	ignition electrode	537021800

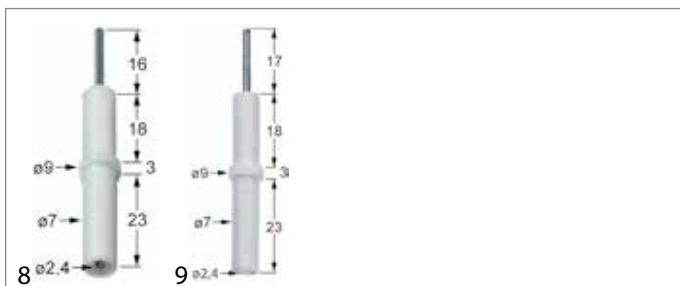


fig.	GEV No.	description	Ref. No.
8	102330	ignition electrode	537008300
9	106619	ignition electrode	537010200

Malag



fig.	GEV No.	description	Ref. No.
1	100704	ignition electrode	112414

Mareno

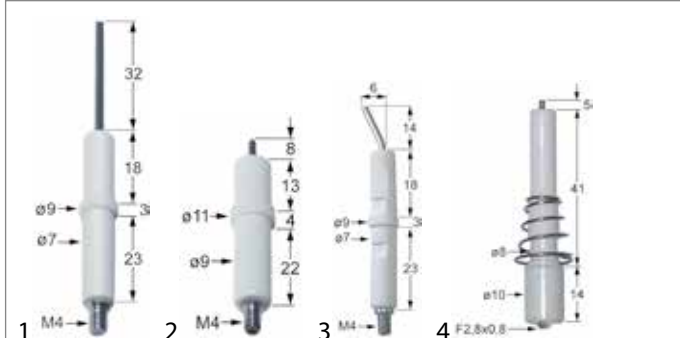


fig.	GEV No.	description	Ref. No.
1	100701	ignition electrode	MA1888300
2	100703	ignition electrode	MA636700
3	100706	ignition electrode	MA224211
4	100729	ignition electrode	MA1031025600

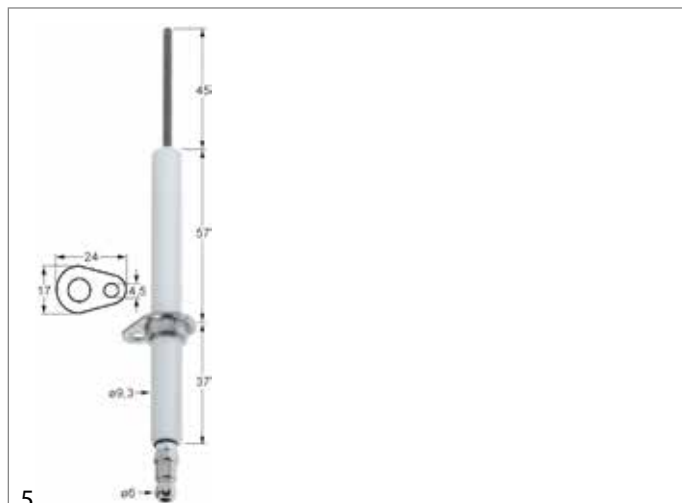


fig.	GEV No.	description	Ref. No.
5	106756	ignition electrode	LAR63050130

MBM-Italia

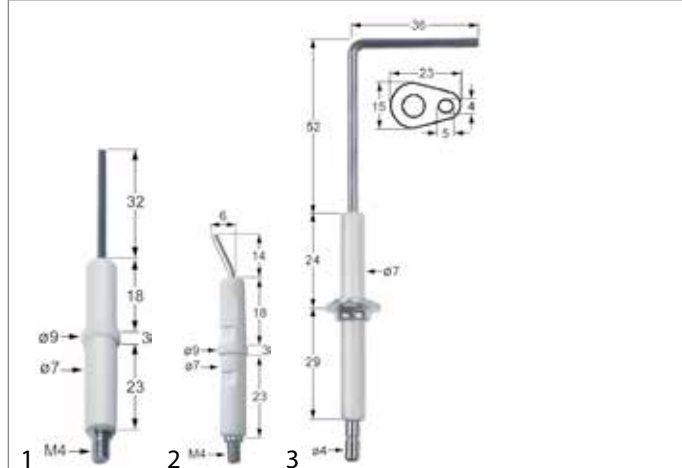


fig.	GEV No.	description	Ref. No.
1	100701	ignition electrode	RTCP800033
2	100706	ignition electrode	RTCU900073
3	100735	ignition electrode	PAFOC00249

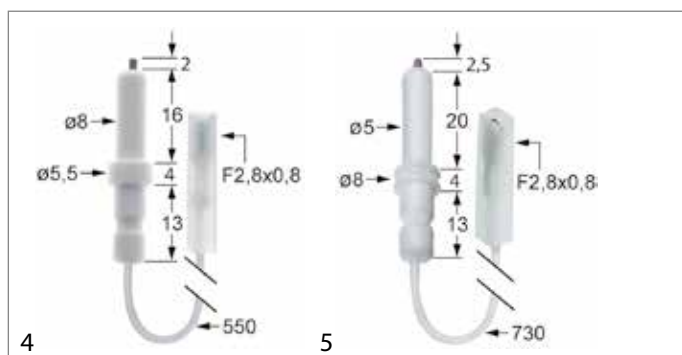


fig.	GEV No.	description	Ref. No.
4	100808	ignition electrode	RTCU600045
5	100826	ignition electrode	RTCU600046

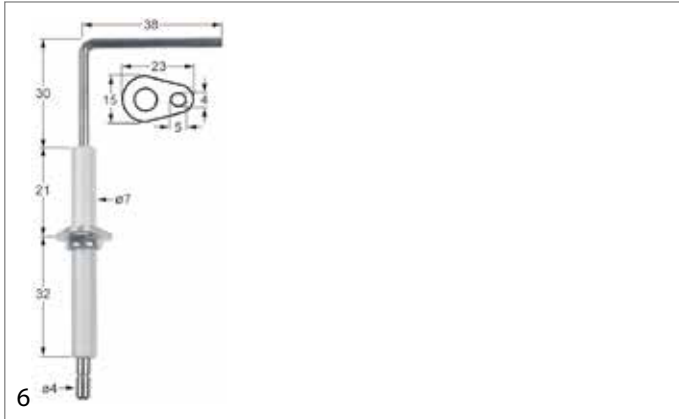


fig.	GEV No.	description	Ref. No.
6	102809	monitoring electrode	PAFOC00250

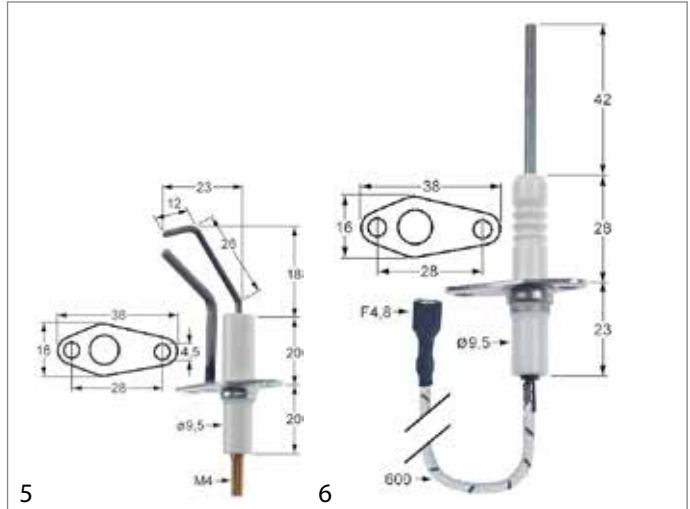


fig.	GEV No.	description	Ref. No.
5	102834	ignition electrode	201639
6	102290	monitoring electrode	201177

Middleby Marshall

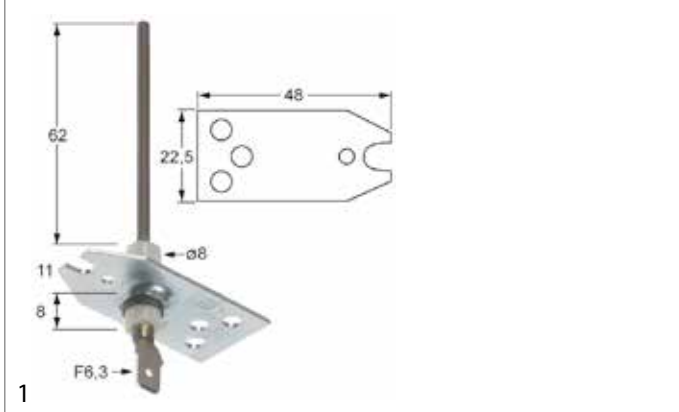


fig.	GEV No.	description	Ref. No.
1	109120	monitoring electrode	45771

Modular



fig.	GEV No.	description	Ref. No.
1	100701	ignition electrode	67201500
2	100706	ignition electrode	67206000
3	100729	ignition electrode	67200500

MKN



fig.	GEV No.	description	Ref. No.
1	100701	ignition electrode	201691
2	100704	ignition electrode	201578
3	100719	ignition electrode	201577
4	100741	ignition electrode	201597

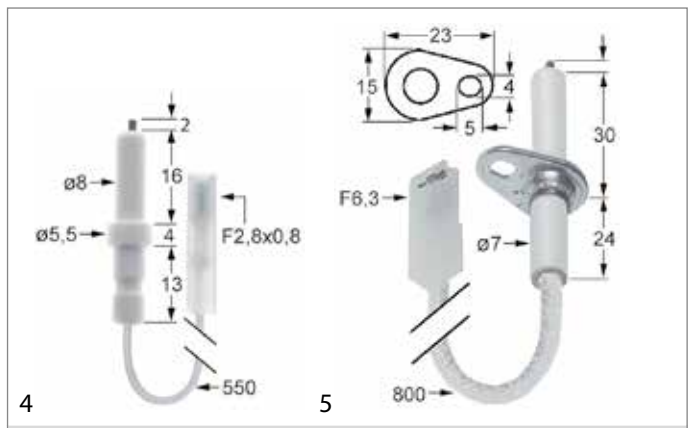


fig.	GEV No.	description	Ref. No.
4	100808	ignition electrode	67211500
5	102316	ignition electrode	999.22.036



Moretti

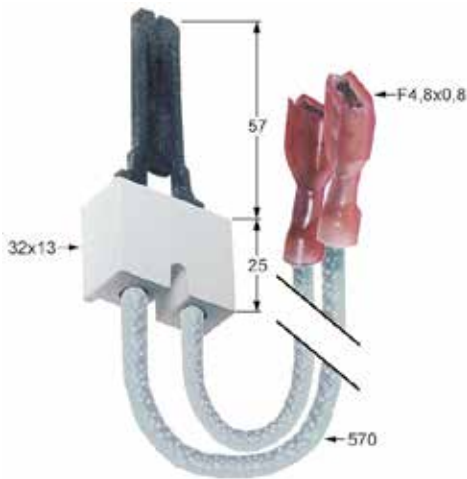


fig.	GEV No.	description	Ref. No.
1	102354	ignition electrode	74110050



fig.	GEV No.	description	Ref. No.
2	102356	ignition electrode	74100260

Morice

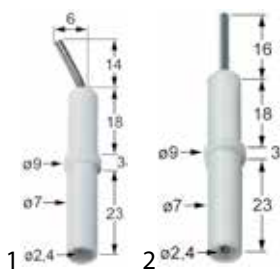


fig.	GEV No.	description	Ref. No.
1	100707	ignition electrode	DM0092
2	102330	ignition electrode	DM5092

Multi



fig.	GEV No.	description	Ref. No.
1	100729	ignition electrode	672005

Nayati

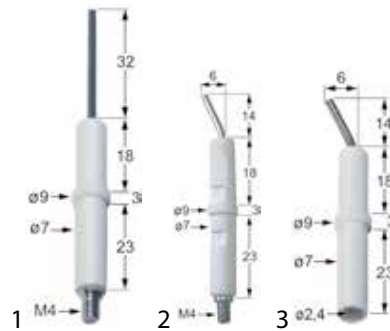


fig.	GEV No.	description	Ref. No.
1	100701	ignition electrode	GS3857
2	100706	ignition electrode	GS.3856
3	100707	ignition electrode	PD2268

Offcar



fig.	GEV No.	description	Ref. No.
1	100701	ignition electrode	835915
2	100706	ignition electrode	835911



Olis

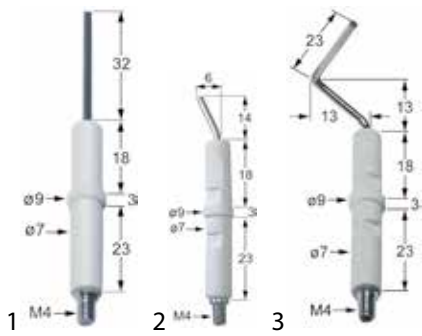


fig.	GEV No.	description	Ref. No.
1	100701	ignition electrode	BN6A013302
2	100706	ignition electrode	6A013300
3	100709	ignition electrode	BN6A001457

Pitco



fig.	GEV No.	description	Ref. No.
1	107665	ignition electrode	PP11131



fig.	GEV No.	description	Ref. No.
4	102335	ignition electrode	BN3104900
5	106619	ignition electrode	BN6A013301

Rational

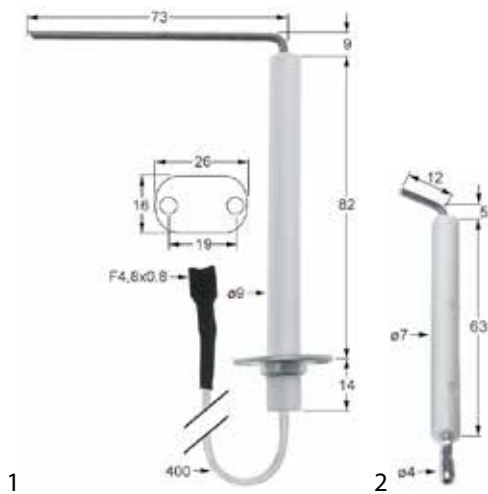


fig.	GEV No.	description	Ref. No.
1	102879	ignition electrode	74.00.230
2	102880	ignition electrode	2068.0152

Palux

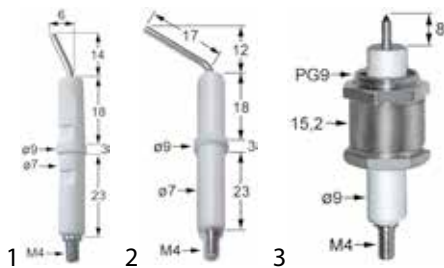


fig.	GEV No.	description	Ref. No.
1	100706	ignition electrode	321419
2	100719	ignition electrode	097292
3	100741	ignition electrode	090069

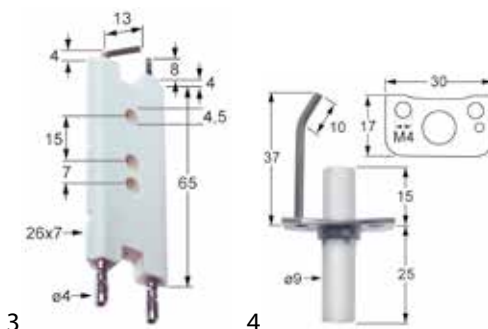


fig.	GEV No.	description	Ref. No.
3	102881	ignition electrode	2068.0153
4	102882	ignition electrode	74.00.235

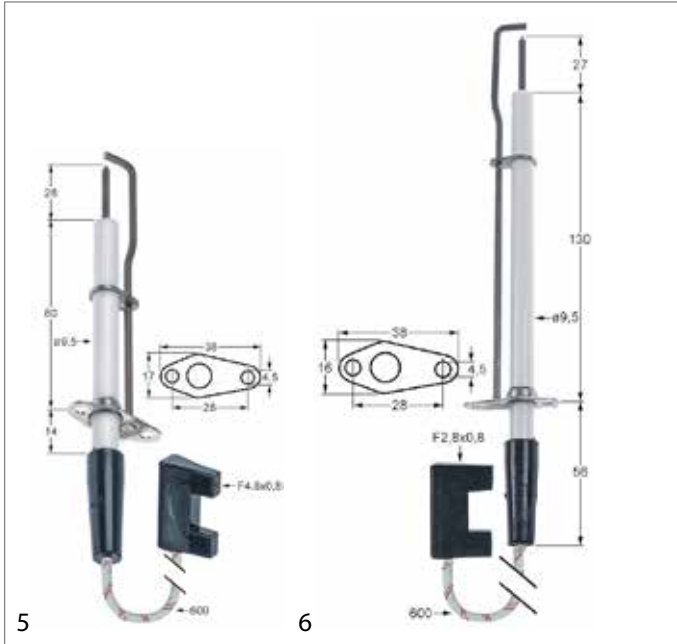


fig.	GEV No.	description	Ref. No.
5	102883	ignition electrode	44.00.251P
6	102884	ignition electrode	44.00.249P

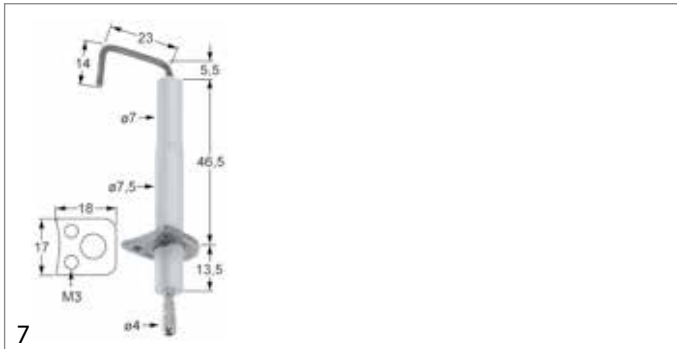


fig.	GEV No.	description	Ref. No.
7	106728	ignition electrode	2068.0300

Repagas



fig.	GEV No.	description	Ref. No.
1	100701	ignition electrode	00142187
2	102871	ignition electrode	64100005

Retigo

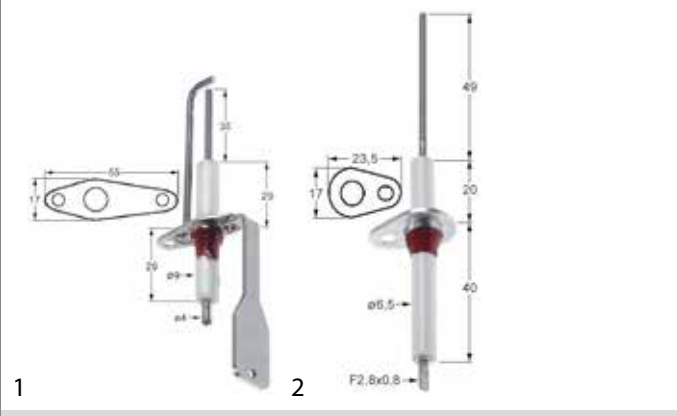


fig.	GEV No.	description	Ref. No.
1	103191	ignition electrode	AC31-0903
2	103188	monitoring electrode	AT31-0029



fig.	GEV No.	description	Ref. No.
3	103189	monitoring electrode	ZA22-0153

RM-Gastro



fig.	GEV No.	description	Ref. No.
1	104772	ignition electrode	500401800
2	104785	ignition electrode	404530200



Rosinox

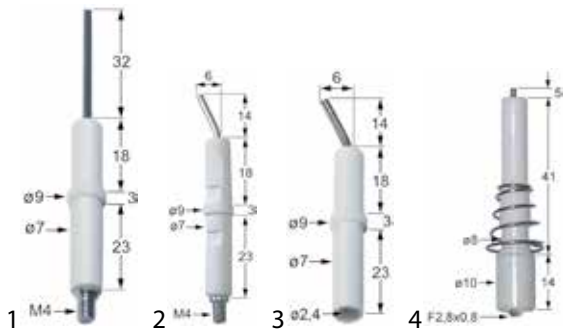


fig.	GEV No.	description	Ref. No.
1	100701	ignition electrode	RX94805686
2	100706	ignition electrode	RX94034642
3	100707	ignition electrode	RX94027729
4	100729	ignition electrode	RX94805033

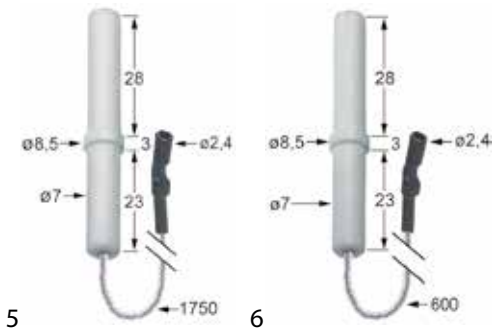


fig.	GEV No.	description	Ref. No.
5	100732	ignition electrode	RX94805157
6	100733	ignition electrode	RX94805132

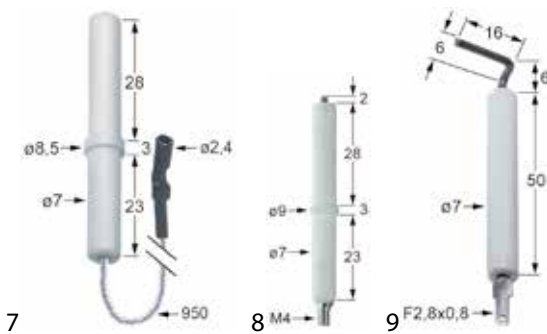


fig.	GEV No.	description	Ref. No.
7	100746	ignition electrode	RX94805140
8	102314	ignition electrode	RX94034493
9	102907	ignition electrode	RX94044214

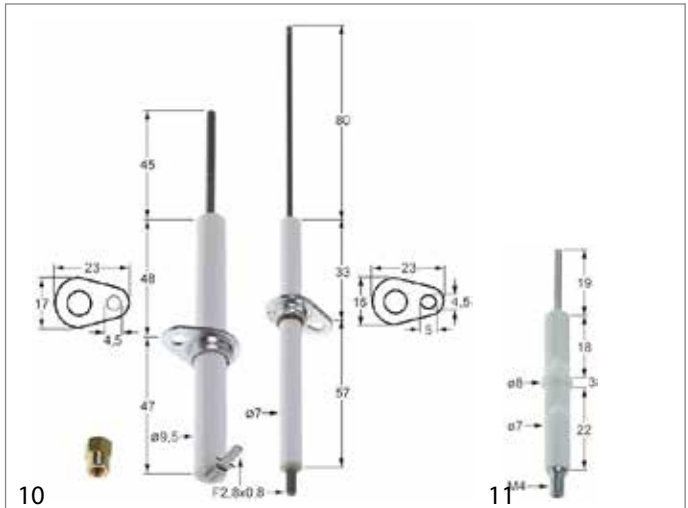


fig.	GEV No.	description	Ref. No.
10	106525	ignition electrode	RX94814239
11	106516	monitoring electrode	RX94805066

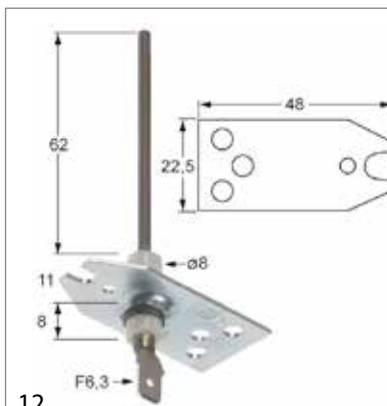


fig.	GEV No.	description	Ref. No.
12	109120	monitoring electrode	RX94051521

Salvis

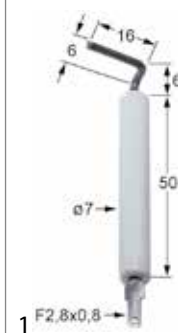


fig.	GEV No.	description	Ref. No.
1	102907	ignition electrode	1G564251



Siedefix

fig.	GEV No.	description	Ref. No.
1	100703	ignition electrode	—

Silko

fig.	GEV No.	description	Ref. No.
1	100701	ignition electrode	MA1949900
2	100706	ignition electrode	MA224211
3	100709	ignition electrode	SIR0100369
4	100729	ignition electrode	SIR0100833

fig.	GEV No.	description	Ref. No.
5	100732	ignition electrode	SIR9300539
6	100733	ignition electrode	SIR0100834

fig.	GEV No.	description	Ref. No.
7	100745	ignition electrode	SIR9300542
8	100746	ignition electrode	SIR9300541

fig.	GEV No.	description	Ref. No.
9	100747	ignition electrode	SIR9300540
10	100822	ignition electrode	SIR0109027
11	102314	ignition electrode	CR0687080

fig.	GEV No.	description	Ref. No.
12	400172	ignition electrode	LAR63050060

SIT

fig.	GEV No.	description	Ref. No.
1	100701	ignition electrode	0915035
2	100706	ignition electrode	0915036
3	100707	ignition electrode	0915037
4	100708	ignition electrode	G6058011



Star10

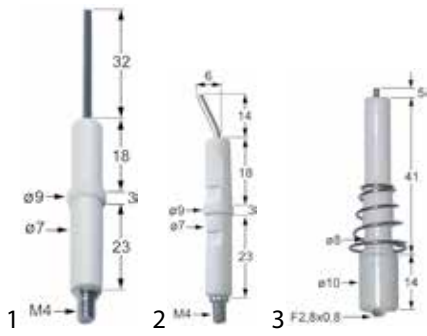


fig.	GEV No.	description	Ref. No.
1	100701	ignition electrode	X13001
2	100706	ignition electrode	X14600
3	100729	ignition electrode	068032

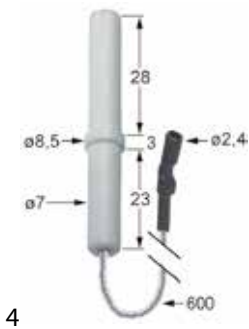


fig.	GEV No.	description	Ref. No.
4	100733	ignition electrode	X14500

Tecnoeka

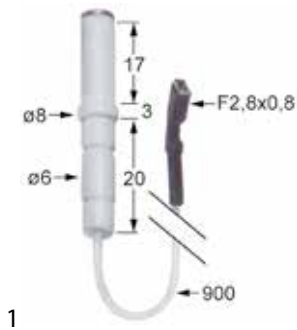


fig.	GEV No.	description	Ref. No.
1	102312	ignition electrode	01951047000

Tecnoinox

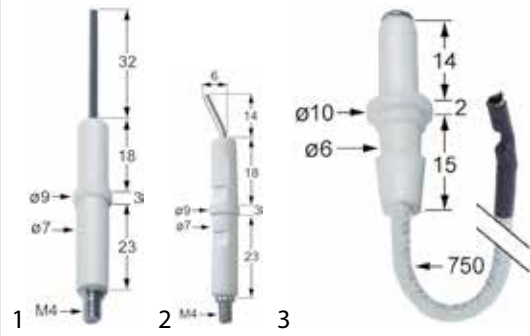


fig.	GEV No.	description	Ref. No.
1	100701	ignition electrode	RC01168000
2	100706	ignition electrode	RC00120000
3	100738	ignition electrode	RC00368000

Therma



fig.	GEV No.	description	Ref. No.
1	100701	ignition electrode	059380
2	100706	ignition electrode	056754
3	101779	ignition electrode	—



fig.	GEV No.	description	Ref. No.
4	102169	ignition electrode	003556
5	102965	ignition electrode	0KI351



Thirotde

fig.	GEV No.	description	Ref. No.
1	102981	ignition electrode	—

Universo

fig.	GEV No.	description	Ref. No.
1	100701	ignition electrode	GS20038

Tornati

fig.	GEV No.	description	Ref. No.
1	100726	ignition electrode	337001

Unox

fig.	GEV No.	description	Ref. No.
1	107353	ignition electrode	BR1310A0

fig.	GEV No.	description	Ref. No.
2	100727	ignition electrode	338002

Whirlpool

fig.	GEV No.	description	Ref. No.
1	100701	ignition electrode	483286009228
2	100706	ignition electrode	483286009205
3	102316	ignition electrode	—



Zanolli



fig.	GEV No.	description	Ref. No.
1	102339	ignition electrode	AGAS0014

Zanussi

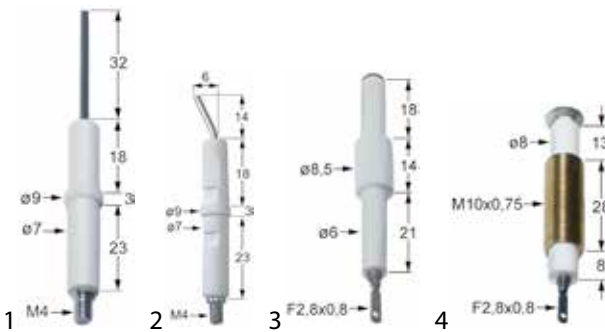


fig.	GEV No.	description	Ref. No.
1	100701	ignition electrode	059380
2	100706	ignition electrode	056754
3	100717	ignition electrode	054099
4	100724	ignition electrode	0H6257

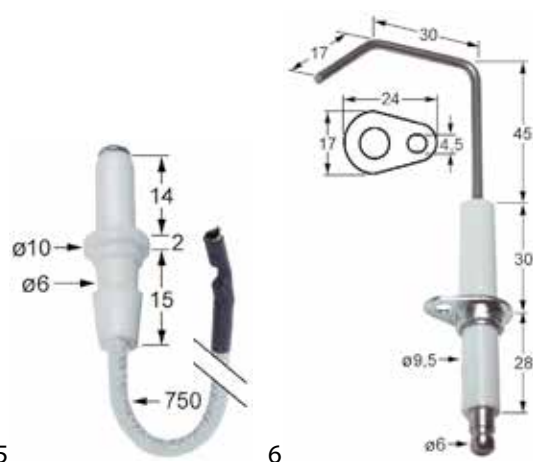


fig.	GEV No.	description	Ref. No.
5	100738	ignition electrode	004970
6	102169	ignition electrode	003556

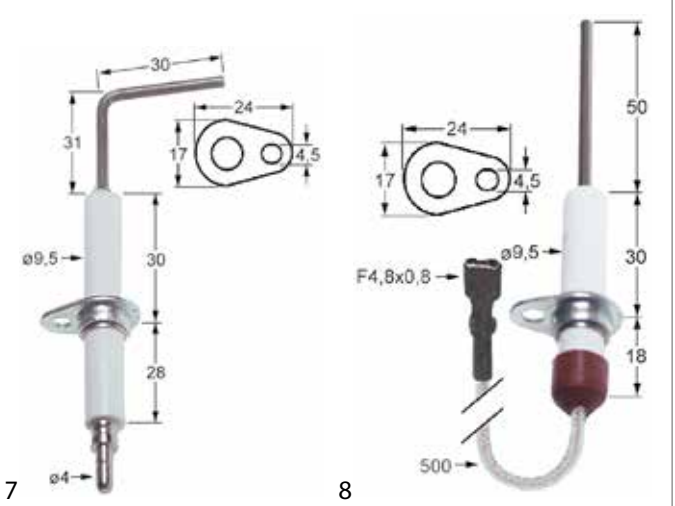


fig.	GEV No.	description	Ref. No.
7	102175	ignition electrode	002638
8	102345	ignition electrode	0C1049

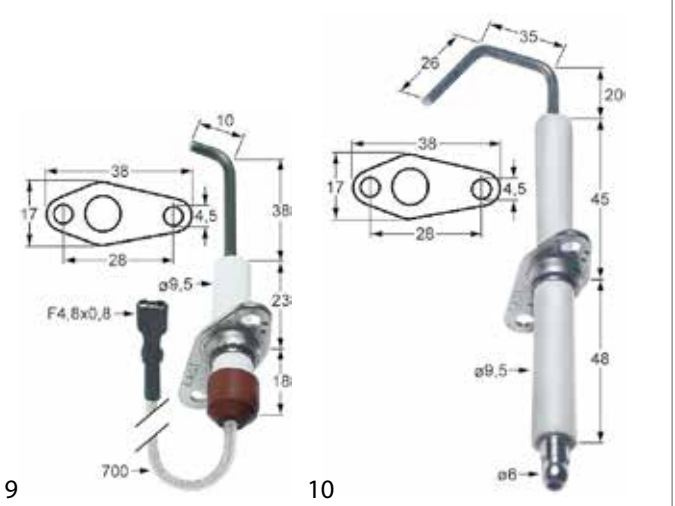


fig.	GEV No.	description	Ref. No.
9	102349	ignition electrode	005920
10	102351	ignition electrode	0C1137



fig.	GEV No.	description	Ref. No.
11	102360	ignition electrode	002344
12	102361	ignition electrode	002637

ignition parts



13

fig.	GEV No.	description	Ref. No.
13	102362	ignition electrode	0H6803

ignition cables

cables

pos.	GEV No.	CS (mm ²)	ED ø (mm)	insulation	Qty (m)
1	100027	0.34	3	glass fibre	5
2	102627	0.34	3	glass fibre	100
3	570135	0.34	3	silicone	5
4	570134	0.34	3	silicone	100
5	100120	1	3.9	silicone	5
6	570630	1	3.9	silicone	100
7	100028	1	6	silicone	5
8	102628	1	6	silicone	100

terminals and connectors

1 2 3

technical data:
temperature max. 125°C
quantity 20 pcs

fig.	GEV No.	CS (mm ²)	size (mm)	material
1	100023	0.5-1.5	2.4	CuZn
1	100024	0.25-1.5	4	CuZn
2	550923	0.5-1.5	6	CuZn
3	100112	0.25-1.0	2	CuZn gal Sn

4 5 6

technical data:
temperature max. 125°C
quantity 20 pcs

fig.	GEV No.	CS (mm ²)	size (mm)	material
4	550945	0.25-1.5	4	CuZn
5	100021	0.5-1.0	2.8x0.8	CuZn
6	100022	0.5-1.0	6.3x0.8	CuZn

silicone hoses

technical data:
material silicone
permanent temperature 200°C
maximum temperature 250°C
flashover voltage 2000V

pos.	GEV No.	ID ø (mm)	thickness (mm)	Qty (m)	pos.	GEV No.	ID ø (mm)	thickness (mm)	Qty (m)
1	100030	3	0.65	10	6	570032	6	0.9	100
2	570030	3	0.65	100	7	100033	8	1	10
3	100031	5	0.9	10	8	570033	8	1	100
4	570031	5	0.9	100	9	100034	10	1	10
5	100032	6	0.9	10	10	570034	10	1	50

shrink tubes

pos.	GEV No.	shrinking range (mm)	Qty
1	551074	4.8-2.4	20x 50mm
2	100029	4.8-2.4	5m
3	570629	4.8-2.4	100m
4	551075	6.3-3.2	20x 50mm
5	100035	6.3-3.2	5m
6	570035	6.3-3.2	100m

pre-assembled cables

pos.	GEV No.	connection	CL (mm)
1	102191	F2.8 / F2.8	300
2	100036	F2.8 / F2.8	500
3	102159	F2.8 / F2.8	600
4	100037	F2.8 / F2.8	900
5	100190	F2.8 / F2.8	1200
6	100174	F2.8 / F2.8	1500
7	107591	F2.8 / F2.8	1500
8	102193	F2.8 / F2.8	2000
9	102162	F2.8 / F6.3	400
10	102178	F2.8 / F6.3	900
11	102179	F2.8 / F6.3	1200
12	100189	F2.8 / M4	150
13	102194	F2.8 / M4	300
14	102156	F2.8 / M4	600
15	102195	F2.8 / M4	900
16	102157	F2.8 / M4	1200
17	100197	F2.8 / ø2.4	600
18	100178	F2.8 / ø2.4	900
19	100179	F2.8 / ø2.4	1200
20	102163	F2.8 / ø2.4	1500
21	100191	F2.8 / ø2.4	2000

Table continues overleaf



pos.	GEV No.	connection	CL (mm)
22	102177	F6.3 / M4	600
23	102164	F6.3 / M4	1000
24	102443	F6.3 / ø6.5	370
25	103223	F6.3 / ø6.5	455
26	102188	ø2.4 / F2.8	300
27	102189	ø2.4 / M4	300
28	100186	ø2.4 / M4	600
29	100146	ø2.4 / M4	900
30	100195	ø2.4 / M4	1200
31	102184	ø2.4 / M4	1500
32	100014	ø2.4 / ø2.4	300
33	100015	ø2.4 / ø2.4	600
34	100016	ø2.4 / ø2.4	900
35	102180	ø2.4 / ø2.4	1200
36	102181	ø2.4 / ø2.4	1500
37	102160	ø2.4 / ø2.4	2000
38	100017	ø2.4 / ø4	300
39	100140	ø2.4 / ø4	400
40	100018	ø2.4 / ø4	600
41	100019	ø2.4 / ø4	900
42	100176	ø2.4 / ø4	1000
43	100193	ø2.4 / ø4	1200
44	102150	ø2.4 / ø4	1500
45	100175	ø2.4 / ø4	1750
46	100137	ø2.4 / ø4	2000
47	102187	ø4 / F2.8	300
48	100199	ø4 / F2.8	600
49	107550	ø4 / F2.8	700
50	102155	ø4 / F2.8	900
51	100164	ø4 / F2.8	1200
52	102190	ø4 / F2.8	1500
53	102158	ø4 / F2.8	1750
54	102174	ø4 / F2.8	2000
55	102172	ø4 / F6.3	300
56	100025	ø4 / F6.3	600
57	100026	ø4 / F6.3	1000

fig.	GEV No.	connection	fig.	GEV No.	connection
4	107152	ø2.4mm	6	107267	F2.8x0.8
5	100003	F2.8x0.8			

mounting diameter 22mm

fig.	GEV No.	connection
1	100005	ø2.4mm
2	100013	ø2.4mm
3	102977	ø2.4mm

fig.	GEV No.	connection
4	106759	bullet receptacle ø2mm
5	107266	F2.8x0.8
6	100039	F6.3x0.8

fig.	GEV No.	connection
7	100111	F6.3x0.8
8	105209 ¹	F6.3x0.8
9	100008	ø2mm

¹cable length 200mm

piezoelectric igniters

mounting diameter 18mm

fig.	GEV No.	connection	fig.	GEV No.	connection
1	100009	ø2.4mm	3	106307	ø2.4mm
2	100012	ø2.4mm			

miscellaneous

fig.	GEV No.	alternative	connection	ø (mm)
1	100006		ø2.4mm	14



fig.	GEV No.	alternative	connection	ø (mm)
2	nla ¹	107154	F6.3x0.8	-
3	107154		ø2.4mm	22

¹no longer available

fig.	GEV No.	alternative	connection	ø (mm)
4	nla ¹	107517	F6.3x0.8	-
5	107517		F6.3x0.8	22
6	107564		F6.3x0.8	22

¹no longer available

fig.	GEV No.	alternative	connection	ø (mm)
7	nla ¹	107652	F6.3x0.8	22
8	107652		ø2.4mm	20

¹no longer available

fig.	GEV No.	alternative	connection	ø (mm)
9	100011	107653	F6.3x0.8	22
10	107653		ø2.4mm	20

fig.	GEV No.	outputs	supply	dimensions (mm)	MD (mm)	inlet	outlet
4	101002	2	230VAC	88x23x34	73	F6.3x0.8	F2.8x0.8
4	101009	2	1.5 V/DC	88x23x34	73	F6.3x0.8	F2.8x0.8
5	102388	4	230VAC	111x23x34	100	F6.3x0.8	F2.8x0.8
5	101031	4	1.5 V/DC	111x23x34	100	F6.3x0.8	F2.8x0.8
6	102389	6	230VAC	135x23x34	123	F6.3x0.8	F2.8x0.8
6	101032	6	1.5 V/DC	135x23x34	123	F6.3x0.8	F2.8x0.8

fig.	GEV No.	outputs	supply	dimensions (mm)	MD (mm)	inlet	outlet
7	107421	8	230VAC	158x27x36	146	F6.3x0.8	F2.8x0.8
8	101005	8	230VAC	92x68x33	88	F6.3x0.8	F2.8x0.8

fig.	GEV No.	outputs	supply	dimensions (mm)	MD (mm)	inlet	outlet
9	106925	1	230VAC	85x63x38	60	F2.8x0.8	ø4mm
10	107683	2	230VAC	85x63x38	60	F2.8x0.8	ø4mm

fig.	GEV No.	outputs	supply	dimensions (mm)	MD (mm)	inlet	outlet
11	103194	1	220-240VAC	85x70x35	60	cable	ø4mm
12	101017	2	230VAC	85x70x35	60	cable	ø4mm

ignition units

fig.	GEV No.	outputs	supply	dimensions (mm)	MD (mm)	inlet	outlet
1	101012	2	230VAC	48x32x32	56	F2.8x0.8	F2.8x0.8
2	101023	4	230VAC	111x28x34	98	F6.3x0.8	F2.8x0.8
3	101024	6	230VAC	112x22x34	98	F6.3x0.8	F2.8x0.8

ignition switches

fig.	GEV No.	function	mounting ø (mm)	MM (mm)	connection
1	100038	1CO	-	-	F6.3
2	101029	1NO	16		F6.3
3	345038	2NO	25		F6.3



fig.	GEV No.	function	mounting ϕ (mm)	MM (mm)	connection
4	301076	2NO	-	30x22	F6.3
5	345189	2NO	-	30x22	F6.3
6	301021	2NO	-	30x22	F6.3



fig.	GEV No.	function	mounting ϕ (mm)	MM (mm)	connection
7	100160	1NO	-	28.5x28.5	F6.3
8	301014	1NO	-	30x11	F6.3



fig.	GEV No.	description
1	101756	piezoelectric igniter battery powered
2	301195	ignition switch for battery type AA 1,5V
3	101036	battery holder for battery type AA 1,5V

thermocouples

thermocouple sets universal



fig.	GEV No.	content	L (mm)	fig.	GEV No.	content	L (mm)
1	107647	11-piece	900	1	107648	11-piece	1200



fig.	GEV No.	content	L (mm)
1	102280	5-piece	18" - 455
1	102281	5-piece	24" - 610
1	103226	5-piece	30" - 760
1	102282	5-piece	36" - 915
1	103227	5-piece	48" - 1220
1	103236	5-piece	60" - 1525



fig.	GEV No.	content	L (mm)
1	102283	5-piece	72" - 1825
2	107705	5-piece	18" - 455
2	107706	5-piece	24" - 610
2	107707	5-piece	30" - 760
2	107708	5-piece	36" - 915
2	107709	5-piece	48" - 1220
2	107710	5-piece	60" - 1525
2	107711	5-piece	72" - 1825

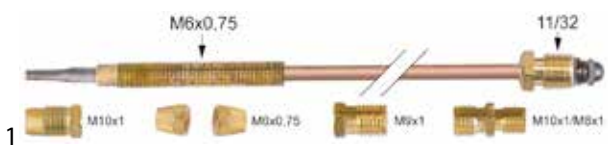


fig.	GEV No.	content	L (mm)	fig.	GEV No.	content	L (mm)
1	102005	6-piece	600	1	102006	6-piece	1200
1	102000	6-piece	900	1	102461	6-piece	1500



fig.	GEV No.	content	L (mm)	fig.	GEV No.	content	L (mm)
2	102285	8-piece	600	2	102287	8-piece	1200
2	102286	8-piece	900				



fig.	GEV No.	content	L (mm)	fig.	GEV No.	content	L (mm)
3	102543	8-piece	600	3	102544	8-piece	1200
3	102284	8-piece	900				

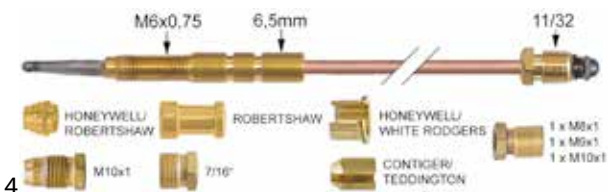


fig.	GEV No.	content	L (mm)	fig.	GEV No.	content	L (mm)
4	102129	10-piece	600	4	102130	10-piece	900



fig.	GEV No.	content	L (mm)	fig.	GEV No.	content	L (mm)
5	102003	10-piece	900	5	102002	10-piece	1200

fig.	GEV No.	content	L (mm)	fig.	GEV No.	content	L (mm)
6	102540	12-piece	600	6	102542	12-piece	1200
6	102541	12-piece	900				

fig.	GEV No.	content	L (mm)	fig.	GEV No.	content	L (mm)
7	102001	17-piece	900	7	102004	17-piece	1200

basic thermocouples sets

type GF

functional only with accessory

pos.	GEV No.	L (mm)	type	pos.	GEV No.	L (mm)	type
1	102097	600	GFF	3	102099	1200	GFF
2	102098	900	GFF				

accessories

fig.	GEV No.	description	ø (mm)	TS	Qty (pcs)
1	100935	adapter	-	M8x1	1
1	102735	adapter	-	M8x1	5
2	100930	union screw	-	M8x1	1
2	102730	union screw	-	M8x1	5
2	100931	union screw	-	M9x1	1
2	102731	union screw	-	M9x1	5
2	100932	union screw	-	M10x1	1
2	102732	union screw	-	M10x1	5
2	100933	union screw	-	ASA 11/32	1
2	102733	union screw	-	ASA 11/32	5
3	100934	adapter	6/6.5		1
3	102734	adapter	6/6.5		5

type SEF (flexible)

functional only with accessory

fig.	GEV No.	L (mm)	mounting thread	type
1	102023	600	M6x0.5	SEF 1
1	102024	900	M6x0.5	SEF 1
1	102025	1200	M6x0.5	SEF 1

fig.	GEV No.	L (mm)	mounting thread	type
2	102435	600	M6x0.75	SEF 2
2	102436	900	M6x0.75	SEF 2
2	102437	1200	M6x0.75	SEF 2

accessories

fig.	GEV No.	description	Qty (pcs)	type
1	106956	adapter for thermocouple suitable for VAILLANT	1	SEF 1
1	106957	adapter for thermocouple suitable for VAILLANT	5	SEF 1
2	100913	adapter for thermocouple thread ASA 11/32	1	SEF 1/2
2	102713	adapter for thermocouple thread ASA 11/32	5	SEF 1/2
2	100912	adapter for thermocouple thread M10x1	1	SEF 1/2
2	102712	adapter for thermocouple thread M10x1	5	SEF 1/2
2	100910	adapter for thermocouple thread M8x1	1	SEF 1/2
2	102710	adapter for thermocouple thread M8x1 L 8mm	5	SEF 1/2
2	100911	adapter for thermocouple thread M9x1	1	SEF 1/2
2	102711	adapter for thermocouple thread M9x1	5	SEF 1/2
3	102715	adapter for thermocouple thread M8x1	5	SEF 1
3	100915	adapter for thermocouple thread M8x1 ID ø M6x0,5mm	1	SEF 1
4	100914	adapter ø 6/6,5mm ID ø 5mm L 36mm	1	SEF 1
4	102714	adapter ø 6/6,5mm L 36mm mounting thread M6x0,5	5	SEF 1

fig.	GEV No.	description	Qty (pcs)	type
5	102673	adapter suitable for HONEYWELL / ROBERTSHAW	1	SEF 1
5	106830	adapter suitable for HONEYWELL / ROBERTSHAW	5	SEF 1
6	102667	adapter suitable for JUNKERS ø 6mm L 26mm	1	SEF 1
7	106831	adapter suitable for JUNKERS ø 6mm L 26mm	5	SEF 1
8	102666	clamping washer ø 11,5mm H 1,5mm ID ø 4,6mm	1	SEF 1
8	102727	clamping washer ø 11,5mm ID ø 4,6mm H 1,5mm	10	SEF 1



fig.	GEV No.	description	Qty (pcs)	type
9	102678	locking screw thread M10x1 ID ø 6mm Qty 1 pcs	1	SEF 2
9	102677	screw connection for thermocouple M10x1 ID ø 6mm	1	SEF 2
9	102507	screw connection for thermocouple M10x1 Qty 5 pcs	5	SEF 1
9	100907	screw connection thread M10x1 Qty 1 pcs	1	SEF 1
10	101297	nut M6x0,75 conical	1	SEF 2
11	102680	nut M6x0,75 H 2,6mm WS 8 brass Qty 1 pcs	1	SEF 2
11	102067	nut M8x1 Qty 1 pcs	1	SEF 1
12	102669	spacer ring suitable for SIT / TARGET ø 6,5mm	1	SEF 1
13	102674	union screw 7/16"	1	SEF 2
13	106832	union screw thread 7/16"	5	SEF 1

plug-in thermocouples

plug-in thermocouples standard

ROBERTSHAW

fig.	GEV No.	G	L (mm)
1	102456	ASA 11/32	12" - 305
1	102457	ASA 11/32	30" - 760

fig.	GEV No.	G	L (mm)
2	102122	ASA 11/32	18" - 455
2	102276	ASA 11/32	24" - 610
2	102277	ASA 11/32	36" - 915
2	102278	ASA 11/32	48" - 1220
2	102279	ASA 11/32	72" - 1825

with barrel socket ø5mm - type Junkers with aluminised tip

pos.	GEV No.	G	L (mm)	pos.	GEV No.	G	L (mm)
1	102201	M8x1	220	5	102205	M8x1	750
2	102202	M8x1	320	6	102206	M8x1	850
3	102203	M8x1	450	7	102207	M8x1	1000
4	102204	M8x1	600	8	102208	M8x1	1200

pos.	GEV No.	G	L (mm)	pos.	GEV No.	G	L (mm)
9	102209	M8x1	1500	14	102213	M10x1	600
10	102251	M9x1	750	15	102214	M10x1	750
11	102210	M10x1	220	16	102132	M10x1	1000
12	102211	M10x1	320	17	102216	M10x1	1500
13	102212	M10x1	450				

with barrel socket ø6mm

SIT

fig.	GEV No.	G	L (mm)
1	102267	M8x1	850
1	102923	M9x1	750

fig.	GEV No.	G	L (mm)
2	102246	M9x1	600
2	102944	M9x1	1500
2	107259	M10x1	500
2	102438	M10x1	600
2	107257	M10x1	1000
2	107256	M10x1	1200
2	107299	ASA 11/32	750

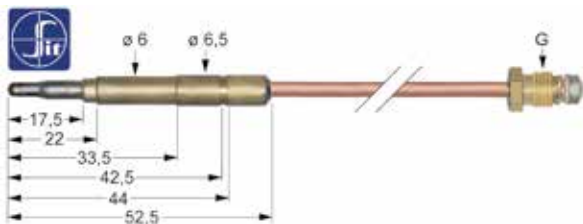
type Junkers with aluminised tip

pos.	GEV No.	G	L (mm)	pos.	GEV No.	G	L (mm)
1	102217	M8x1	220	8	102225	M10x1	320
2	102218	M8x1	320	9	102226	M10x1	450
3	102219	M8x1	450	10	102227	M10x1	600
4	102220	M8x1	600	11	102228	M10x1	750
5	102221	M8x1	750	12	102229	M10x1	1000
6	102223	M8x1	1200	13	102230	M10x1	1200
7	102224	M8x1	1500	14	102231	M10x1	1500



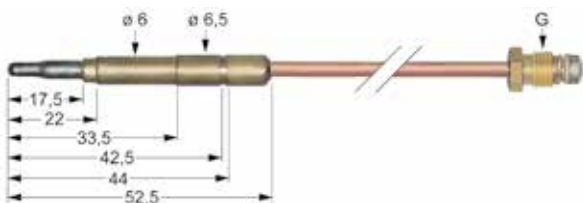
with barrel socket $\varnothing 6(6.5)$ mm

thermocouples SIT



pos.	GEV No.	G	L (mm)
1	107600	M8x1	320
2	107601	M8x1	600
3	107178	M8x1	750
4	107602	M8x1	850
5	107603	M8x1	1000
6	107604	M8x1	1200
7	107605	M8x1	1500
8	107606	M9x1	320
9	107607	M9x1	400
10	107608	M9x1	500
11	107609	M9x1	600
12	107610	M9x1	750
13	102682	M9x1	850
14	107611	M9x1	850
15	107612	M9x1	1000
16	107613	M9x1	1200
17	102660	M9x1	1500
18	103208	M9x1	1500
19	107614	M9x1	1500
20	107615	M10x1	320
21	107616	M10x1	400
22	107617	M10x1	600
23	107618	M10x1	750
24	107619	M10x1	1000
25	107620	M10x1	1200
26	107621	M10x1	1500
27	107622	ASA 11/32	400
28	107623	ASA 11/32	600
29	107624	ASA 11/32	850
30	107625	ASA 11/32	1000
31	107626	ASA 11/32	1500

thermocouples with aluminised tip



pos.	GEV No.	G	L (mm)
1	102033	M8x1	320
2	102034	M8x1	600
3	102035	M8x1	850
4	102036	M8x1	1000
5	102037	M8x1	1200

pos.	GEV No.	G	L (mm)
6	102038	M8x1	1500
7	102039	M9x1	320
8	102040	M9x1	500
9	102041	M9x1	600
10	102042	M9x1	850
11	102043	M9x1	1000
12	102044	M9x1	1200
13	102045	M9x1	1500
14	102007	M10x1	320
15	102071	M10x1	400
16	102075	M10x1	600
17	102076	M10x1	850
18	102072	M10x1	1000
19	102077	M10x1	1500
20	102046	ASA 11/32	400
21	102047	ASA 11/32	600
22	102048	ASA 11/32	850
23	102049	ASA 11/32	1000
24	102051	ASA 11/32	1500

threaded thermocouples (miscellaneous)

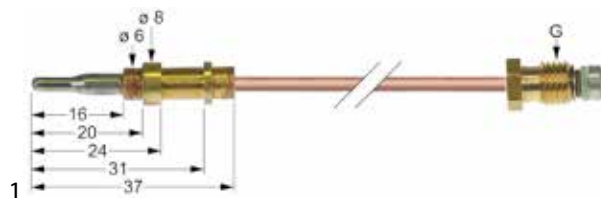


fig.	GEV No.	G	L (mm)
1	102266	M8x1	220

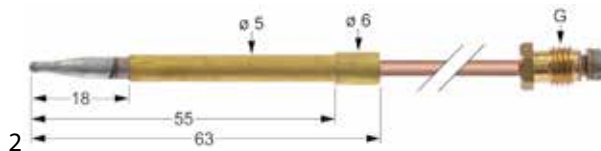


fig.	GEV No.	G	L (mm)	suitable for
2	106989	M8x1	330	POTIS

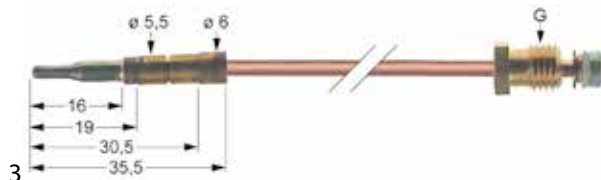


fig.	GEV No.	G	L (mm)
3	102258	M8x1	600

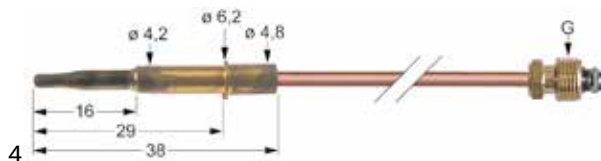


fig.	GEV No.	G	L (mm)
4	102261	M8x1	600



fig.	GEV No.	G	L (mm)
5	102451	M8x1	600
5	102462	M8x1	1000

fig.	GEV No.	G	L (mm)
11	102458	ASA 11/32	24" - 610
11	102459	ASA 11/32	72" - 1825

fig.	GEV No.	G	L (mm)
6	102998	M8x1	600

plug-in thermocouples flexible
with barrel socket $\varnothing 5\text{mm}$

pos.	GEV No.	G	L (mm)	pos.	GEV No.	G	L (mm)
1	102390	M8x1	600	4	102394	M10x1	900
2	102391	M8x1	900	5	102395	M10x1	1200
3	102393	M10x1	600				

fig.	GEV No.	G	L (mm)
7	107461	M8x1	600

with barrel socket $\varnothing 6(6.5)\text{mm}$

pos.	GEV No.	G	L (mm)	pos.	GEV No.	G	L (mm)
1	102402	M8x1	600	6	102407	M9x1	1200
2	102403	M8x1	900	7	102408	M10x1	600
3	102404	M8x1	1200	8	102409	M10x1	900
4	102405	M9x1	600	9	102410	M10x1	1200
5	102406	M9x1	900				

fig.	GEV No.	G	L (mm)
8	102463	M8x1	1000

with barrel socket $\varnothing 6\text{mm}$

pos.	GEV No.	G	L (mm)	pos.	GEV No.	G	L (mm)
1	102396	M8x1	600	4	102399	M10x1	600
2	102397	M8x1	900	5	102400	M10x1	900
3	102398	M8x1	1200	6	102401	M10x1	1200

fig.	GEV No.	G	L (mm)
9	102424	M10x1	650

miscellaneous

fig.	GEV No.	G	L (mm)
1	102428	M8x1	450

fig.	GEV No.	G	L (mm)
10	102893	ASA 11/32	1200



fig.	GEV No.	G	L (mm)
2	102422	M10x1	650

fig.	GEV No.	G	L (mm)
3	102423	M10x1	650

fig.	GEV No.	G	L (mm)
4	102429	ASA 11/32	600
4	102430	ASA 11/32	900
4	102431	ASA 11/32	1200

fig.	GEV No.	G	L (mm)
5	102433	ASA 11/32	900

fig.	GEV No.	G	L (mm)
6	102434	ASA 11/32	1200

plug-in thermocouples with aluminised tip

pos.	GEV No.	G	L (mm)	pos.	GEV No.	G	L (mm)
1	102573	M9x1	320	3	102574	M9x1	450
2	102683	M9x1	320	4	102681	M9x1	850

pos.	GEV No.	G	L (mm)	pos.	GEV No.	G	L (mm)
1	102573	M9x1	320	3	102574	M9x1	450
2	102683	M9x1	320	4	102681	M9x1	850

nickel-plated plug-in thermocouples

fig.	GEV No.	G	L (mm)
1	107297	M10x1	600

fig.	GEV No.	G	L (mm)
1	107297	M10x1	600

fig.	GEV No.	G	L (mm)
2	107260	M10x1	1000

fig.	GEV No.	G	L (mm)
2	107260	M10x1	1000

plug-in thermocouples with cable link

fig.	GEV No.	L (mm)	burner connection
1	102441	500	plug-in connection

fig.	GEV No.	L (mm)	burner connection
1	102441	500	plug-in connection

fig.	GEV No.	L (mm)	burner connection
2	102466	600	

fig.	GEV No.	L (mm)	burner connection
2	102466	600	

fig.	GEV No.	L (mm)	burner connection
3	102089	600	plug connection ø5.0mm

fig.	GEV No.	L (mm)	burner connection
3	102089	600	plug connection ø5.0mm

fig.	GEV No.	L (mm)	burner connection
4	102260	600	plug connection ø6.0mm

fig.	GEV No.	L (mm)	burner connection
4	102260	600	plug connection ø6.0mm



fig.	GEV No.	L (mm)	burner connection
5	102131	1000	plug connection $\varnothing 5.0\text{mm}$



fig.	GEV No.	L (mm)	burner connection
6	102814	1000	plug connection $\varnothing 5.0\text{mm}$

plug-in thermocouples with interruption

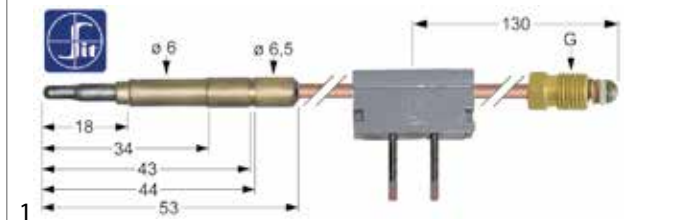


fig.	GEV No.	G	L (mm)	interrupter connection
1	102068	M9x1	320	solder connection
1	102288	M9x1	600	solder connection

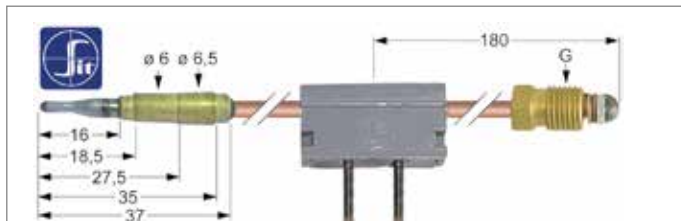


fig.	GEV No.	G	L (mm)	interrupter connection
2	107234	M9x1	400	solder connection
2	107460	M9x1	850	solder connection

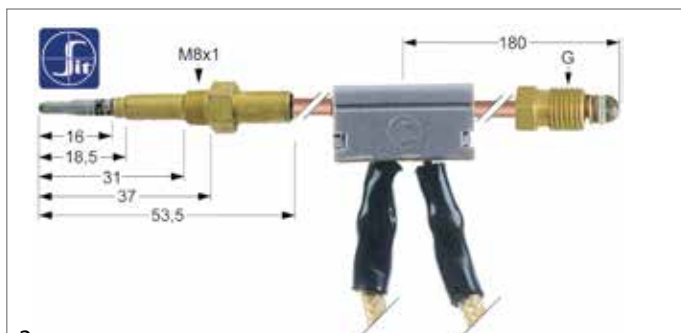


fig.	GEV No.	G	L (mm)	interrupter connection
3	107261	M9x1	600	cable 350mm

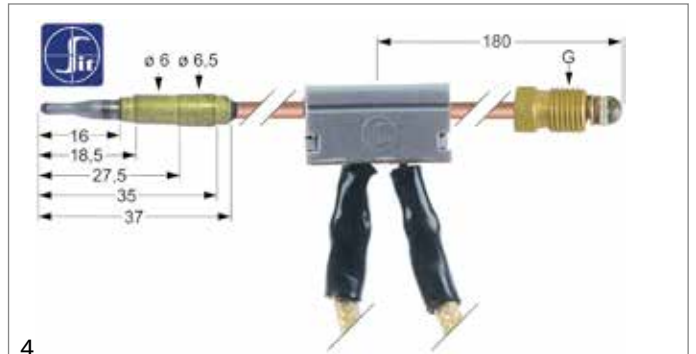


fig.	GEV No.	G	L (mm)	interrupter connection
4	107262	M9x1	600	cable 350mm

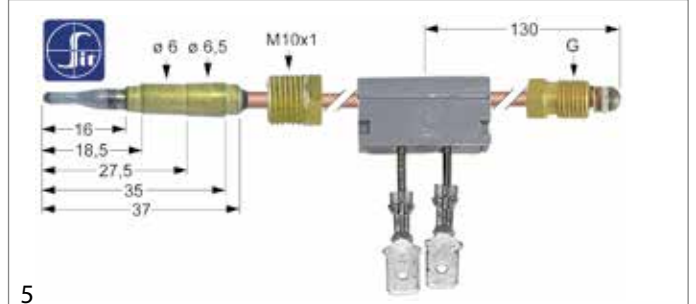


fig.	GEV No.	G	L (mm)	interrupter connection
5	102238	M9x1	600	F 6.3mm

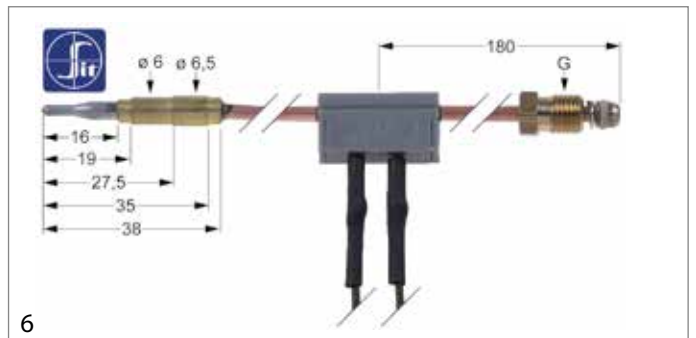


fig.	GEV No.	G	L (mm)	interrupter connection
6	102737	M9x1	600	F 6.3mm

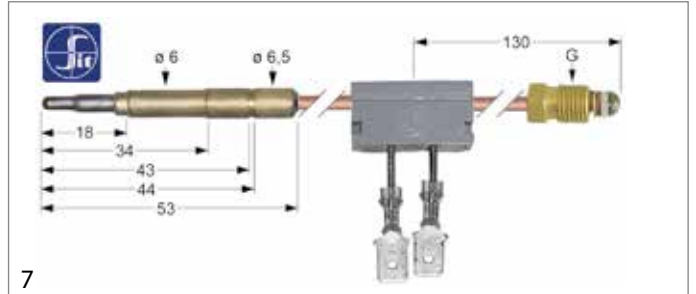
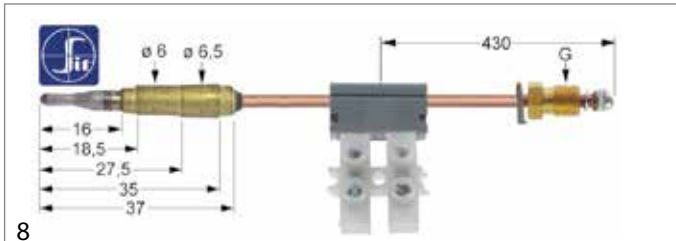
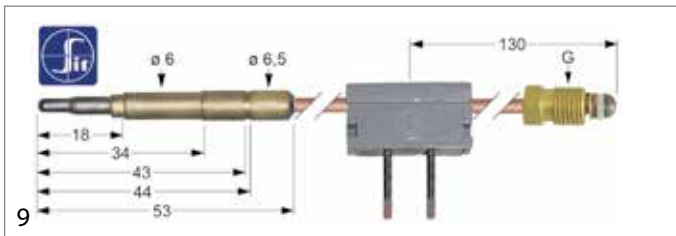


fig.	GEV No.	G	L (mm)	interrupter connection
7	107177	M9x1	600	F 6.3mm



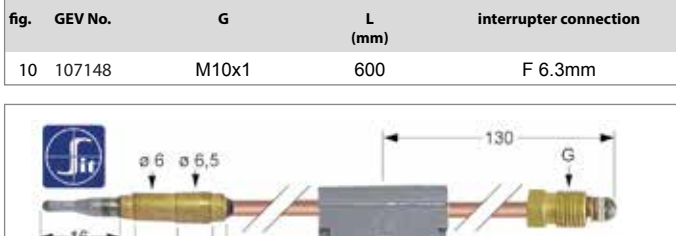
8	fig.	GEV No.	G	L (mm)	interrupter connection
8		107455	M9x1	850	solder connection



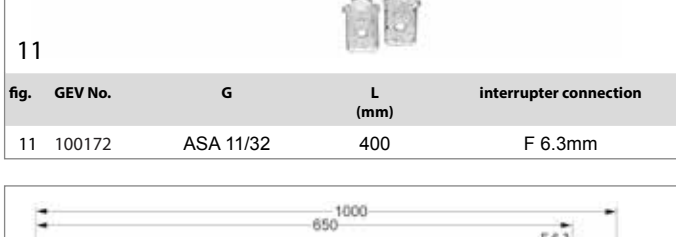
9	fig.	GEV No.	G	L (mm)	interrupter connection
9		107164	M9x1	1000	solder connection



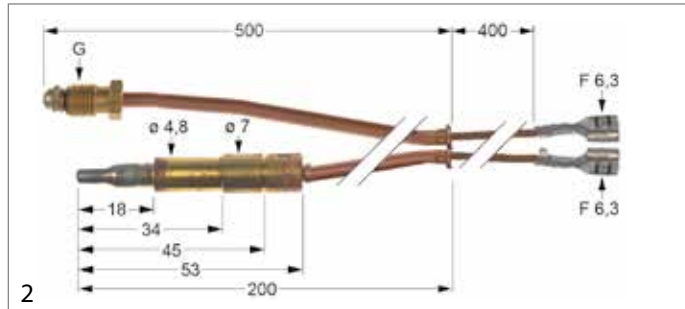
10	fig.	GEV No.	G	L (mm)	interrupter connection
10		107148	M10x1	600	F 6.3mm



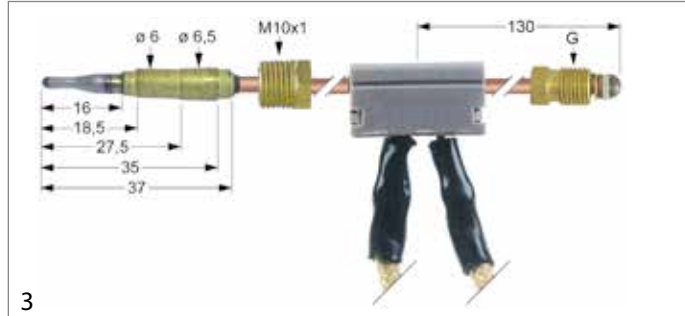
11	fig.	GEV No.	G	L (mm)	interrupter connection
11		100172	ASA 11/32	400	F 6.3mm



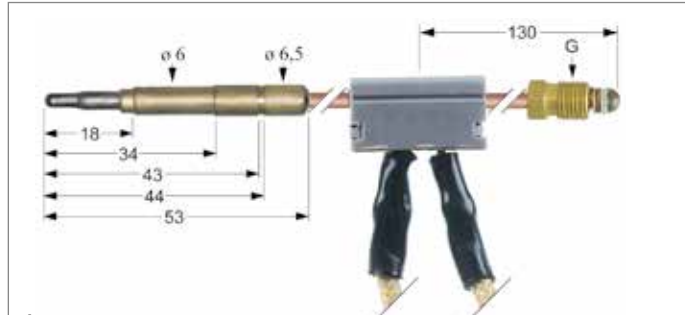
1	fig.	GEV No.	G	L (mm)	interrupter connection
1		102815	M8x1	1000	F 6.3mm



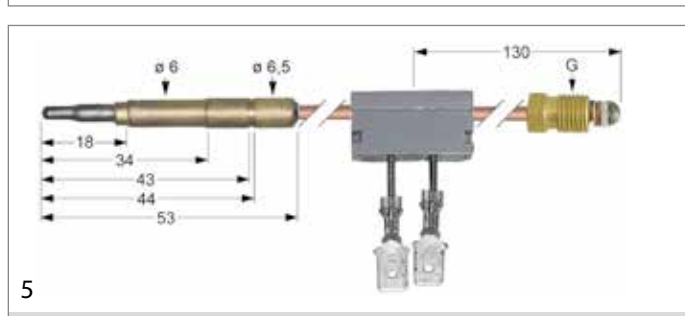
2	fig.	GEV No.	G	L (mm)	interrupter connection
2		102115	M9x1	500	F 6.3mm



3	fig.	GEV No.	G	L (mm)	interrupter connection
3		102252	M9x1	600	cable 650mm



4	fig.	GEV No.	G	L (mm)	interrupter connection
4		102247	M9x1	600	cable 700mm



5	fig.	GEV No.	G	L (mm)	interrupter connection
5		107145	M9x1	600	F6.3

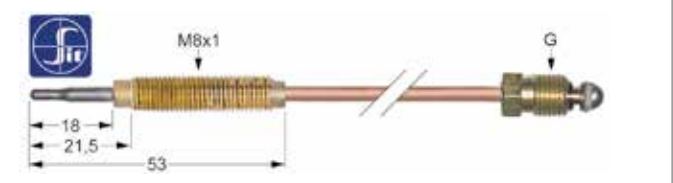


threaded thermocouples

threaded thermocouples standard

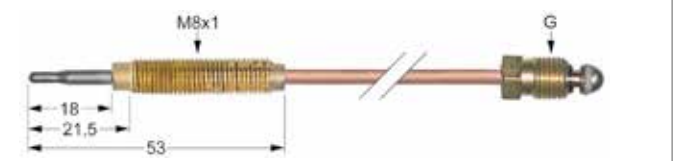
with socket with thread M8x1

SIT



pos.	GEV No.	G	L (mm)	pos.	GEV No.	G	L (mm)
1	107627	M8x1	220	11	107636	M9x1	600
2	107628	M8x1	320	12	107637	M9x1	850
3	107629	M8x1	450	13	107638	M9x1	1000
4	107630	M8x1	600	14	107639	M9x1	1200
5	107631	M8x1	850	15	107640	M9x1	1500
6	107632	M8x1	1000	16	107641	M10x1	400
7	107633	M8x1	1200	17	107642	M10x1	450
8	107634	M8x1	1500	18	107643	M10x1	600
9	107635	M9x1	320	19	107644	M10x1	750
10	107242	M9x1	400	20	107645	M10x1	1500

type Junkers with aluminised tip



pos.	GEV No.	G	L (mm)	pos.	GEV No.	G	L (mm)
1	102232	M8x1	220	11	102063	M9x1	850
2	102054	M8x1	320	12	102064	M9x1	1000
3	102056	M8x1	600	13	102065	M9x1	1200
4	102233	M8x1	750	14	102066	M9x1	1500
5	102057	M8x1	850	15	102073	M10x1	400
6	102058	M8x1	1000	16	102235	M10x1	450
7	102059	M8x1	1200	17	102078	M10x1	600
8	102060	M8x1	1500	18	102079	M10x1	750
9	102061	M9x1	320	19	102074	M10x1	1000
10	102062	M9x1	600	20	102080	M10x1	1500

threaded thermocouples (miscellaneous)

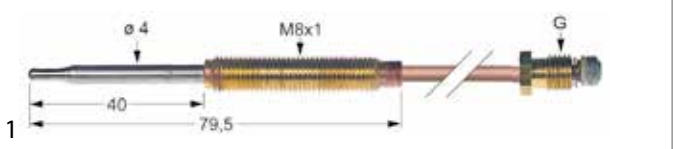


fig.	GEV No.	G	L (mm)
1	102249	M8x1	250

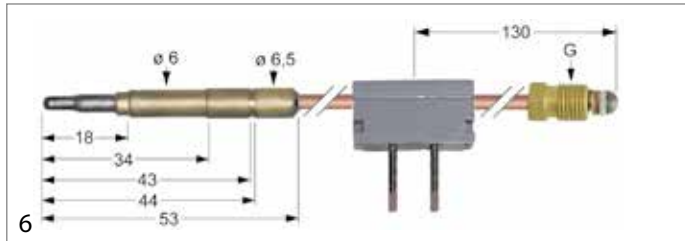


fig.	GEV No.	G	L (mm)	interrupter connection
6	102069	M9x1	600	solder connection

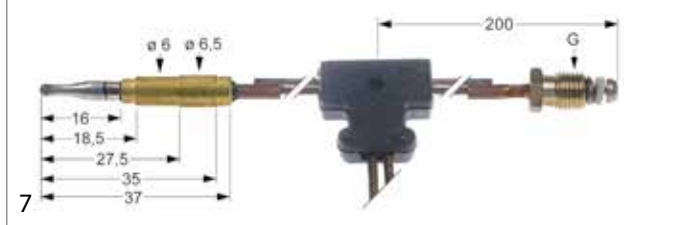


fig.	GEV No.	G	L (mm)	interrupter connection
7	102094	M9x1	750	cable 280mm

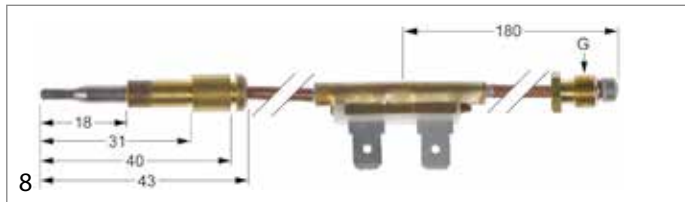


fig.	GEV No.	G	L (mm)	interrupter connection
8	102269	M9x1	850	F 6.3mm

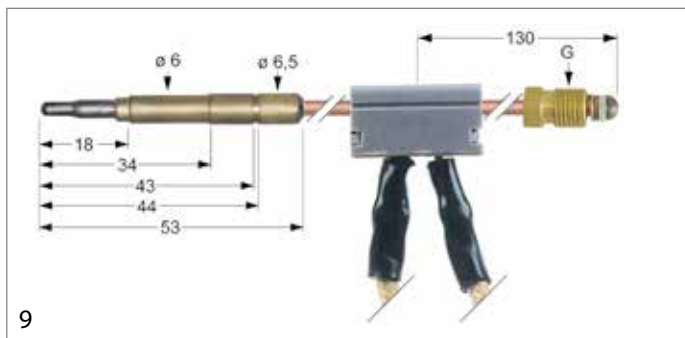


fig.	GEV No.	G	L (mm)	interrupter connection
9	102250	M9x1	1000	cable 1000mm

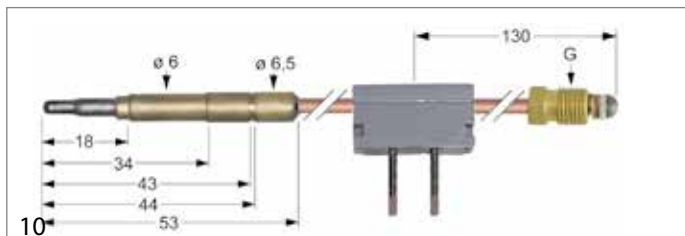


fig.	GEV No.	G	L (mm)	interrupter connection
10	102070	M9x1	1000	solder connection



fig.	GEV No.	G	L (mm)
2	102055	M8x1	450

fig.	GEV No.	G	L (mm)
9	102008	M9x1	1000

fig.	GEV No.	G	L (mm)
3	102245	M8x1	500

fig.	GEV No.	G	L (mm)
10	107646	M9x1	1000

fig.	GEV No.	G	L (mm)
4	102121	M8x1	600

threaded thermocouples flexible with socket with thread M8x1

pos.	GEV No.	G	L (mm)	pos.	GEV No.	G	L (mm)
1	102411	M8x1	600	5	102416	M9x1	1200
2	102412	M8x1	900	6	102417	M10x1	600
3	102413	M8x1	1200	7	102418	M10x1	900
4	102414	M9x1	600	8	102419	M10x1	1200

fig.	GEV No.	G	L (mm)
5	107350	M8x1	600

miscellaneous

fig.	GEV No.	G	L (mm)
6	102138	M9x1	300

fig.	GEV No.	G	L (mm)
1	102420	M8x1	750

fig.	GEV No.	G	L (mm)
7	102139	M9x1	500

fig.	GEV No.	G	L (mm)
2	102114	M8x1	900

fig.	GEV No.	G	L (mm)
8	107185	M9x1	600



fig.	GEV No.	G	L (mm)
3	102421	M10x1	750

fig.	GEV No.	L (mm)	connection
2	102242	750	F 7.7mm

fig.	GEV No.	G	L (mm)
4	102425	ASA 11/32	600

fig.	GEV No.	L (mm)	connection
3	102275	450	F 7.7mm

fig.	GEV No.	G	L (mm)
5	102426	ASA 11/32	900

fig.	GEV No.	L (mm)	ground cable connection
1	102127	600	

nickel-plated threaded thermocouples

fig.	GEV No.	G	L (mm)
1	107298	M8x1	750

fig.	GEV No.	L (mm)	ground cable connection
2	102152	750	

fig.	GEV No.	G	L (mm)
2	107450	M10x1	600

fig.	GEV No.	L (mm)	ground cable connection
3	102148	600	F 4.8x0.8mm

threaded thermocouples with cable link

fig.	GEV No.	L (mm)	connection
1	102145	600	F 7.7mm

fig.	GEV No.	L (mm)	ground cable connection
4	102147	750	F 4.8x0.8mm



5

fig.	GEV No.	L (mm)	ground cable connection
5	102120	750	F 6.3mm

6

fig.	GEV No.	L (mm)	ground cable connection
6	102271	600	M4

7

fig.	GEV No.	L (mm)	ground cable connection
7	102924	750	M4

8

fig.	GEV No.	L (mm)	ground cable connection
8	107385	600	M4

9

fig.	GEV No.	L (mm)	ground cable connection
9	102088	1500	

threaded thermocouples with interruption

1

fig.	GEV No.	G	L (mm)	interrupter connection
1	102239	M8x1	720	F 6.3mm

2

fig.	GEV No.	G	L (mm)	interrupter connection
2	102254	M9x1	1000	solder connection

3

fig.	GEV No.	G	L (mm)	interrupter connection
3	102259	M9x1	1000	with cable 1000mm

producer-specific thermocouples

1

fig.	GEV No.	content	L (mm)	suitable for
1	107444	3-piece	330	Falcon

2

fig.	GEV No.	content	L (mm)	suitable for
2	107427	6-piece	900	Falcon

3

fig.	GEV No.	content	L (mm)	suitable for
3	107265	11-piece	1200	Falcon



1 x M3x1
1 x M2x1
1 x M10x1
ASA 11/02

HONEYWELL/ROBERTSHAW

7/16"

M10x1

4

fig.	GEV No.	content	L (mm)	suitable for
4	107263	13-piece	900	Falcon

HONEYWELL/ROBERTSHAW

7/16"

M10x1

2 x M3x1
1 x M2x1
2 x M10x1
1 x ASA 11/02

5

fig.	GEV No.	content	L (mm)	suitable for
5	107264	13-piece	900	Falcon

thermoelectric generators

1

fig.	GEV No.	voltage (mV)	L (mm)
1	106670	750	850

2

fig.	GEV No.	voltage (mV)	L (mm)
2	102116	750	900

3

fig.	GEV No.	voltage (mV)	L (mm)
3	103241	250-750	36" - 915

White Rodgers

4

fig.	GEV No.	voltage (mV)	L (mm)
4	103243	250-750	36" - 915

White Rodgers

5

fig.	GEV No.	voltage (mV)	L (mm)
5	103244	250-750	36" - 915

White Rodgers

6

fig.	GEV No.	voltage (mV)	L (mm)
6	103245	250-750	36" - 915

Robertshaw

7

fig.	GEV No.	voltage (mV)	L (mm)
7	103246	250-750	36" - 915

Robertshaw

8

fig.	GEV No.	voltage (mV)	L (mm)
8	580035	250-750	36" - 915
8	103240	250-750	60" - 1525

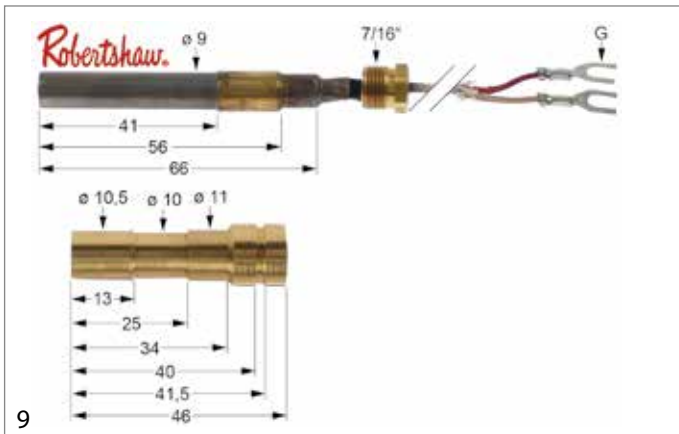



fig. 9

fig.	GEV No.	voltage (mV)	L (mm)
9	103242	250-750	60" - 1525

extensions




fig. 1

fig.	GEV No.	TS	L (mm)
1	102013	M9x1	500
1	102851	M9x1	1000
1	102852	M9x1	1500
1	102011	M10x1	400
1	102012	M10x1	1000
1	102010	M10x1	1500




fig. 2

fig.	GEV No.	TS	L (mm)
2	102241	M9x1 - M9x1	500




fig. 3

fig.	GEV No.	TS	L (mm)
3	102811	M9x1 - M9x1	600
3	107258	M10x1 - M8x1	1500

accessories

display adapters




fig. 1

fig.	GEV No.	description	TS
1	101337	display adapter M9x1	M9x1
1	100948	display adapter M10x1	M10x1

displays




fig.

fig.	GEV No.	description
1	101414	display solder connection
2	101410	display with mounting strap mounting distance 29mm

nuts




fig.

fig.	GEV No.	description
1	103173	nut M6x0,75 H 4mm WS 10 brass Qty 1 pcs
1	102067	nut M8x1 Qty 1 pcs
1	102500	nut M8x1 Qty 10 pcs
2	100892	thermocouple nut thread M6x0.5 H 6,5mm WS 8 brass
2	102143	thermocouple nut thread M6x0.75 H 12mm WS 8 brass
2	100965	thermocouple nut thread M8x1 H 15mm WS 11 brass

screws




fig.

fig.	GEV No.	description	TS	Qty (pcs)
1	101260	thermocouple fitting	M8x1	1
1	102566	thermocouple fitting	M8x1	10
1	101261	thermocouple fitting	M9x1	1
1	102561	thermocouple fitting	M9x1	10
1	101262	thermocouple fitting	M10x1	1
1	102562	thermocouple fitting	M10x1	10
1	101263	thermocouple fitting	ASA 11/32	1
1	102563	thermocouple fitting	ASA 11/32	5
2	100930	union screw	M8x1	1
2	102730	union screw	M8x1	5
2	100931	union screw	M9x1	1
2	102731	union screw	M9x1	5
2	100932	union screw	M10x1	1
2	102732	union screw	M10x1	5
2	100933	union screw	ASA 11/32	1
2	102733	union screw	ASA 11/32	5
3	100920	thermocouple fitting	M8x1 / M9x1	1
3	102720	thermocouple fitting	M8x1 / M9x1	5
3	100922	thermocouple fitting	M10x1 / ASA 11/32	1
3	102722	thermocouple fitting	M10x1 / ASA 11/32	5
4	102464	thermocouple fitting	M10x1	1



interrupters



1

fig.	GEV No.	description
1	101264	interrupter thread M8x1
1	101265	interrupter thread M9x1
1	101258	interrupter thread M10x1
1	101266	interrupter thread ASA 11/32



2

fig.	GEV No.	description
2	107279	interrupter L 90mm



3

fig.	GEV No.	description
3	107738	extension for interruptor L 420mm