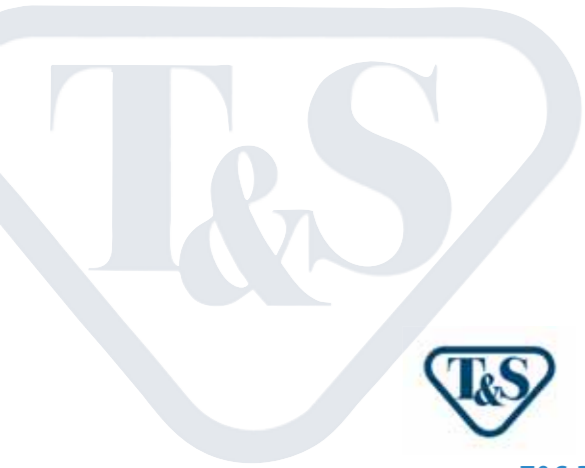




European Catalog



 **REPA**
A Parts Town unlimited Company



EUROPEAN CATALOG

T&S BRASS / INTRODUCTION	3
About T&S / Company Profile / Certifications	3-5
T&S Brass in the World	6-7
T&S and Water Conservation / Water Audits	8-11
WaterWatch	12
T&S Training Program: TSU	13
Spray Valve Overview	14
T&S EUROPE	14-15
Pre-Rinse Units	16-23
Low-Profile Pre-Rinse Units	24-29
Faucets	30-37
Sensor Faucets	38-48
Hose Reels	49-53
T&S SPECIAL SOLUTIONS	55
Glass Fillers	56-58
Waste Valves	59-60
Emergency Safety Eye Equipment	61
Dipperwell Faucets	62
Self-Closing Metering Faucets	63-64
ADA ANSI 117	65
Sustainability	66
T&S ORIGINALS	67
Pre-Rinse Units	68-77
Low-Profile Pre-Rinse Units	78-83
Faucets	84-91
Sensor Faucets	92-100
Hose Reels and Hose Reel Systems	101-127
T&S BRASS	129
Index	130-131
General Conditions / Warranty Chart	132-133



ABOUT T&S

T&S Brass and Bronze Works, Inc. is a leading manufacturer of faucets, fittings and specialty products and accessories for the foodservice, industrial, commercial plumbing and laboratory markets. Founded in 1947, the company introduced the industry's first pre-rinse unit, followed by key innovations like the foot pedal valve over the next decade.

T&S products are highly acclaimed throughout the industry for being well-built, long-lasting and reliable. Rigorous testing and a focus on interchangeability have helped set T&S apart from the competition for more than 70 years.

Today, more than 200 employees manufacture products and serve customers from the company's main headquarters in South Carolina – with many more working behind the scenes at distribution facilities in California and China. In the last two decades, T&S has significantly increased its overseas presence, with representatives now selling products in Europe, Australia, the Middle East, Canada, Japan, southeast Asia and South America.

"We're ready to supply what our customers need, wherever they are."



T&S HISTORY AND AWARDS

T&S was founded in 1947 by George Theisen and Carl Spatt, who developed the very first pre-rinse unit and the foot pedal valve, both of which set the foodservice industry standard. The products depict our dedication to sustainability through innovation & design, regional priority, the use of 98-99% recycled metals, using better metal materials, managing wastewater effluent, reducing paper and cardboard waste, and developing products that can help achieve credits for LEED certification in Water and Energy Efficiency.

T&S has received numerous awards, including the Silver Crescent Award in 2015, the most prestigious award for manufacturers in South Carolina. It was also named Manufacturer of the Year by the South Carolina Chamber of Commerce and was selected by Industry Week as Best Plants Winner in 2014 and 2019.

SUSTAINABILITY STATEMENT

From the past, present and into the future, T&S Brass is committed to sustainability. Protecting our planet's resources begins with the materials we select to use, continues through our manufacturing process, and ends with an environmentally friendly product solution.



Furthermore, through metrics and monitoring, we are continuously looking for new and better ways to improve the lifecycle of our products and reduce our corporate carbon footprint. We pay attention to the changing needs of the environment and market, and are fully committed to developing innovative solutions for the buildings and facilities that rely on T&S Brass.

COMPANY MISSION

To achieve profitable growth by designing, producing, and marketing high quality products for the food service and institutional markets, both domestically and internationally.

To progressively operate the company in a manner beneficial to the stockholders, employees, customers, and the communities in which we work.

To be the premier company of quality commercial, institutional, and industrial products by being innovative, creative, and aggressive, while maintaining a financially secure foundation.

COMPANY STATEMENT

Provide high quality solutions for the food service, plumbing and institutional markets with exceptional customer service.

ASSOCIATIONS



CERTIFICATIONS

As a leader in quality manufacturing, T&S Brass proudly displays certificates that demonstrate that we have met the stringent standards developed by the International Standardization Organization (ISO), ASME International, NSF International and CSA International (Canadian Standards Association) among many others.

T&S guarantees its products will be manufactured to the highest standards in the industry with the finest craftsmanship possible.

Our engineering department continually oversees periodic assessments to help T&S maintain its goal of exceeding customer expectations for quality manufacturing and service.

All of our product certifications are a further demonstration of our company's commitment to the needs of our customers and their communities. Following an evaluation for both the leaching of contaminants into drinking water from faucets and the mechanical quality standards, T&S pre-rinse units and drinking water and lavatory faucets meet or exceed the NSF/ANSI Standard 61, Section 9 standard for Drinking Water Systems (Health Effects) and the ASME A112.18.1 / CSA B125.1 standard for mechanical quality. In short, T&S products are both safe for use within any drinking water system and adhere to the mechanical quality standards for ease of installation, operation, and reliability.

By meeting or exceeding the standards set by these internationally recognized organizations, we demonstrate our commitment to deliver the highest quality products to customers around the world.

At T&S Brass, we are pleased to take a leading role in innovating and developing low lead compliant fixture fittings. Look to T&S's website, www.tsbrass.com for news and products related to low lead and the related standard NSF/ANSI 372 Drinking Water Systems Components – Lead Content. Contact your sales representative or T&S customer service for more information. And enjoy the confidence that comes with Reliability Built In™.





T&S BRASS IN THE WORLD

We are ready to supply what our customers need, wherever they are.

Why Choose T&S?

To Save Money, Time, and Energy.
Here's how:



EXPERIENCE
T&S Brass and Bronze Works, Inc., founded in 1947, introduced the industry's first pre-rinse unit, followed by key innovations like the foot pedal valve over the next decade.

DURABILITY
T&S Brass manufactures the best constructed products in the market, many of which are made in the USA, and undergo rigorous testing.

INTERCHANGEABILITY
Within the product line, you can exchange parts and customize each product to suit your need.

CERTIFICATIONS AND NAME RECOGNITION
Not only do we have a large series of certifications, underlining the quality we offer, but T&S is a name everyone recognizes and respects.

QUALITY AND RELIABILITY
T&S products are highly acclaimed throughout the industry for being well-built, long-lasting and reliable. Rigorous testing and a focus on interchangeability have helped set T&S apart from the competition for over 70 years. Today, more than 200 employees manufacture products and serve customers from the company's main headquarters in South Carolina with many more working behind the scenes at distribution facilities in California and China.

VARIETY OF PRODUCTS FOR VARIOUS INDUSTRIES
You will find a huge selection of products for nearly every type of industry.

OUTSTANDING CUSTOMER SERVICE
With customer service centers in South Carolina, California, and Shanghai, someone is always available to give you the best feedback. Contact us by phone, email, or chat.

FAMILY-OWNED AND EXPERIENCED
Since T&S's invention of the Pre-Rinse Units in 1947, T&S has been operated as a family business, treating our customers as one of their own while offering professional service and products of the highest quality.

CUSTOM ENGINEERING AND MODIFICATIONS
Find the perfect solution for your facility; just let us know what you need.

FAST SHIPPING AND SERVICE SUPPORT
Need a part immediately? T&S will assist you with fast and reliable service so you can get on with your business and life.

PROACTIVE WATER CONSERVATION
T&S offers you solutions to save tremendous amounts of water in virtually any situation.

COST SAVINGS CALCULATOR.

Visit our Cost Savings Calculator and see how you can save money.

Go to www.tsbrass.com to the **Sustainability** tab and scroll down to the **Cost Savings Calculator for Pre-Rinse Spray Valves**. Click **Advanced** at the bottom of the page for more information.

Cost Savings Calculator for Pre-Rinse Spray Valves

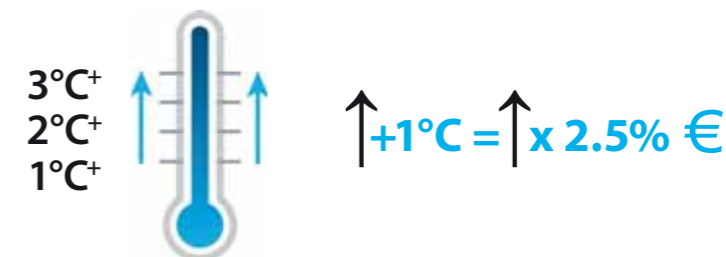
Current Flow Rate 16.09 L/min	Daily Usage 3 Hours	Per Facility 1
T&S Flow Rate 2.46 L/min	Days 365 Per Year	Number of Facilities 1
Models EB-0107-C		
Price 112.40 EUR		
Fuel Type <input checked="" type="radio"/> Electric <input type="radio"/> Gas	Cost Input <input type="radio"/> CCF <input checked="" type="radio"/> m ³	
Efficiency 95 %	Water Cost EUR 8.5 /m ³	
Temperature Rise Through Heater 39 °C	Sewer Cost EUR 11.32 /m ³	
Energy Cost EUR 0.11 /kWh		

Example Calculations

SPRAY VALVE SAVINGS	AERATOR SAVINGS	CARTRIDGE SAVINGS
Standard spray valve: 16.09 L/min	Standard faucet water flow rate: 8.33 L/min	Standard Compression (not quarter-turn) 2.8 bar to both inlets: 68.36 L/min 4.1 bar to both inlets: 87.41 L/min
T&S model flow rate: 2.46 L/min	T&S low-flow aerator water flow rate: 3.79 L/min	T&S Cerama Cartridge (quarter-turn) 2.8 bar to both inlets: 48.19 L/min 4.1 bar to both inlets: 55.19 L/min
Operating hours per day: 3	Number of employees/day in kitchen: 3	
Operating days per year: 365	Number of handwashes/employee/day: 8	
Total liters saved in year: 895,491	Operating days per year: 365	
	Seconds per handwash: 30	
	Total liters saved in year: 13,257	

WATER IS NOT JUST WATER.

COST EFFECT OF HIGHER WATER TEMPERATURE



WATER WASTE IS COSTLY AND AVOIDABLE

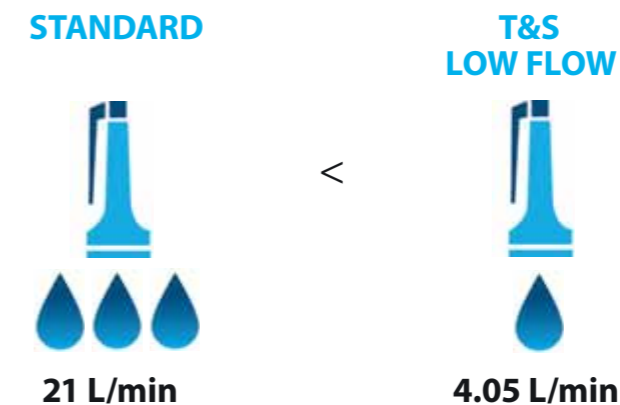


T&S Spray Valve & Aerator SAVINGS

You can choose from a wide range of water-saving products to meet your specific needs.

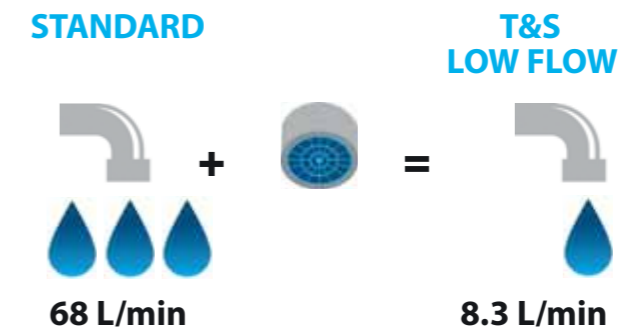
All of our T&S Low Flow Spray Valves and Aerators make it easy to save energy, water and money!

LOW FLOW SPRAY VALVE SAVINGS



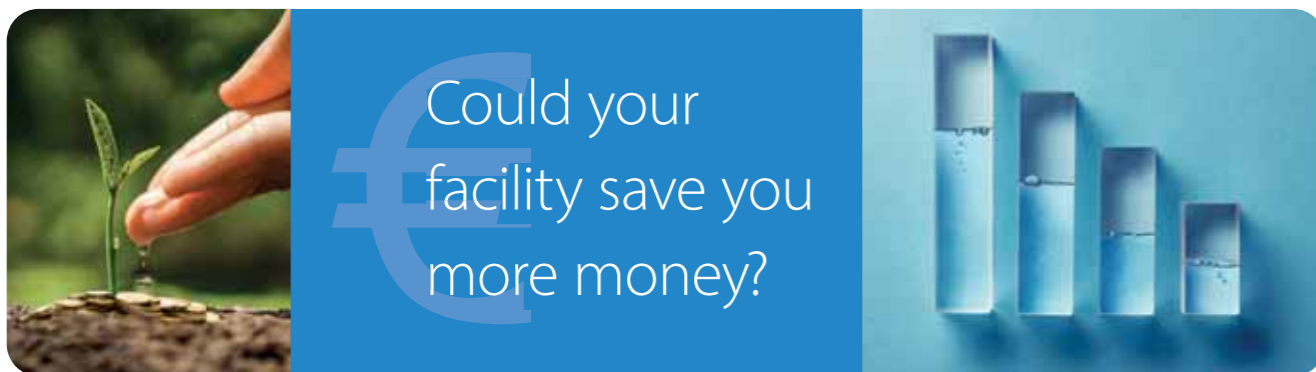
SAVE 1,113,615* LITERS annually

LOW FLOW AERATOR SAVINGS



SAVE 3,922,290* LITERS annually

*3 hours per day, 365 days per year



Could your facility save you more money?

T&S Spray Valves

You know that low-flow spray valves conserve water, and that conserving water means saving money. But how much will you save? You might be surprised at the costs you can cut annually by simply switching to one of T&S' low-flow spray valves.

How else can you save water and water-use related costs?

T&S Aerators

Hand-washing is an essential part of operating a kitchen safely. But with many hand sink faucets delivering water at up to 8.33 L/min or more, **the amount of water – and money wasted – can really add up.** By simply adding T&S' low-flow aerators to your existing faucets, you can significantly reduce the amount of water wasted while still maintaining a clean and healthy kitchen.



T&S Spray Valves and Aerators Can Save You Thousands a Year* In Water, Energy and Sewer Costs

After delivering innovative solutions to high-volume kitchens for decades, our experts know a few things about saving water, energy and money. That's why we developed our **exclusive water audit procedure** – a systematic, validated process that helps operators identify cost-saving opportunities and take action.

It's Simple – and FREE of Charge

- With a T&S water audit, you get:
- A comprehensive review of your operation, including faucet and spray valve applications.
 - A specific list of product recommendations based on measurements we collect and additional figures you provide, plus a detailed report of your projected savings.

Even minor investments have a huge impact on saving water, energy, and money! The larger the facility and the more changes you make, the higher the savings will be.

For more information on how you can save water and decrease your water-related costs:

€3,400*
(or the equivalent in your currency) **in annual savings**
Typical QSR average savings after changing out one (1) spray valve and adding a low-flow aerator to two (2) handsink faucets.



* Savings based on average QSR restaurant costs for operations involving pre-rinsing and handwashing. See the T&S Water Savings calculators at www.tsbrass.com for more specific information and to plug in more specific values related to your usage. Amount can vary according to your current costs of water, sewer and energy.

Sustainability Through Water Conservation

Water Audits with T&S Brass Water Availability

Although about 70% of the world's surface consists of water, only 1% is actually accessible to us. **At the current growth rate, the world's population is estimated to reach an incredible 9 billion people by the year 2040.** This means the available water per person will continuously decrease and we must do everything we can to sustain our populations and earth.



At T&S Brass and Bronze Works Inc., we take water conservation very seriously. We have therefore created a free-of-charge water audit program through which we can empirically measure the amount of water you are using in order to create a personalized and accurate estimate of how much water you could save. Concurrently, the correlating sewer and energy costs will be calculated for you by us as well, so you can see clearly how much you are wasting and overpaying.

Here is an example of actual measurements which a T&S Regional Sales Manager collected during a water audit:

By replacing just four pre-rinse units, the hotel from this audit was able to save 102,180 Liters of water a year. And don't forget: besides having saved 102,180 Liters of water, the hotel also saved on the costs of water, energy, and sewer costs. The savings really speak for themselves.

Item	Current Flow (Liters)	Recommended Flow (Liters)	Difference (Liters)	Min Used/Day	Total Liters/Day	Days Used/Year	Potentially Saved Liters/Year
Pre Rinse Unit-Pot wash	14	4.05	9.95	10	99.5	300	29,850
Pre Rinse Unit-Dish	13.6	4.05	9.55	15	143.25	300	42,975
Pre Rinse Unit-Prep	5.5	4.05	1.45	15	21.75	300	6,525
Pre Rinse Unit-Banquet	9.5	1.89	7.61	10	76.10	300	22,830
							102,180

SPRAY VALVE SAVINGS		AERATOR SAVINGS		CARTRIDGE SAVINGS	
Standard spray valve:	16.09 L/min	Standard faucet water flow rate:	8.33 L/min	Standard Compression (not quarter-turn)	
T&S model flow rate:	2.46 L/min	T&S low-flow aerator water flow rate:	3.79 L/min	40 psi to both inlets:	68.36 L/min
Operating hours per day:	3	Number of employees/day in kitchen:	3	60 psi to both inlets:	87.41 L/min
Operating days per year:	365	Number of handwashes/employee/day:	8	T&S Cerama Cartridge (quarter-turn)	
Total liters saved in year:	895,491	Operating days per year:	365	40 psi to both inlets:	48.19 L/min
		Seconds per handwash:	20	60 psi to both inlets:	55.19 L/min
		Total liters saved in year:	13,257		



A whole new way to monitor water consumption and protect your facility.

Imagine knowing when a faucet or fixture begins to leak — or getting an alert when a catastrophic water failure occurs. Not only is this kind of real-time information critical for protecting your facility, it's also the key to managing your overall water usage and saving money in the long run.

Introducing T&S WaterWatch: it's a true foodservice first — giving operators a cost-effective solution for monitoring water consumption, detecting leaks and optimizing conservation measures.



HOW DOES T&S WATERWATCH WORK?

T&S WaterWatch uses a non-invasive smartphone-sized device that **attaches to your facility's main water line**. By listening to the unique sound signatures of the water flow, T&S WaterWatch collects thousands of measurements every second from the pipe and translates those measurements to accurate water insights — **identifying exactly which fixtures are using water** and for how long. T&S WaterWatch can even distinguish between simultaneous water use events.



All it takes is a 7-day learning period, **using your facility's WiFi connection**, for T&S WaterWatch to provide daily consumption updates and real-time leak detection. **Using special algorithms** and machine learning, T&S WaterWatch identifies abnormal usage and **sends alerts** to immediately notify operators of major leaks so that corrective action can be taken. Reports are easily accessible using a mobile app or PC and provide information on smaller potential leak events and a more comprehensive understanding of your facility's overall water usage.

For more information and pricing, please contact us directly at internationalsales@tsbrass.com or visit <https://www.tsbrass.com/resources/literature/waterwatch>

Are You Certified Yet?

Did you know T&S Brass and Bronze Works offers various ways of continuing your knowledge of the extensive product lines, water conservation, and sustainability?



Online Training with T&S University

At T&S University, our mission is clear: to provide helpful, relevant education and training in every industry we serve. Utilizing the best of e-learning, on-site training, and other educational resources, we strive to equip our reps, dealers, and stakeholders with the tools they need to be most effective in their roles.

In the end, it's not just about our products – it's about the industries, markets and regulatory environments where T&S Brass solutions are at work every day.

It's easy to enroll and start learning today – even from your mobile device.

Sign up for T&S University to take the course. **We have 17 courses and counting!**

On-Location Training All Over the World!

Or you can attend a training where you and your team will learn about our products through product presentations, hands-on activities, or even take a tour of our factory.

Choose the most practical location:













- Travelers Rest, SC, USA (Factory tour included)
- Cologne, Germany
- Pordenone, Italy (Factory tour included)
- Shanghai, China (Factory/Warehouse tour included)



T&S Spray Valve Overview

T&S spray valves are available with flow rates ranging from 2.46 L/min to 21.2 L/min for the optimal solution, including for top performance and water conservation. Each type has been proven reliable for over 2 million cycles of testing.

All spray valves have an insulated handle to provide a cool grip, a hold-down ring for continuous flow.

SPRAY VALVE	FLOW RATE*	CLEANABILITY FORCE*	TYPICAL APPLICATION
EB-0107-C  Lowest flow	 2.46 L/min	 1.2 Newton	<ul style="list-style-type: none"> • Coffeshop • Bistro • Bakery
EB-0107-J  Low-flow	 4.05 L/min	 2.0 Newton	<ul style="list-style-type: none"> • Cantine • Hotel • Restaurant • QSR • Cruiseline
UK-0107  Low-flow	 4.35 L/min	 2.1 Newton	<ul style="list-style-type: none"> • Cantine • Hotel • Restaurant • QSR • Cruiseline
EB-0107**  Standard flow	 21.2 L/min	 2.3 Newton	<ul style="list-style-type: none"> • Cantine • Hotel • Restaurant • QSR • Cruiseline

* Flow Rate and Cleanability Force measured at 4.14 bar
 ** EB-0107 not intended for use with PRUs in North America

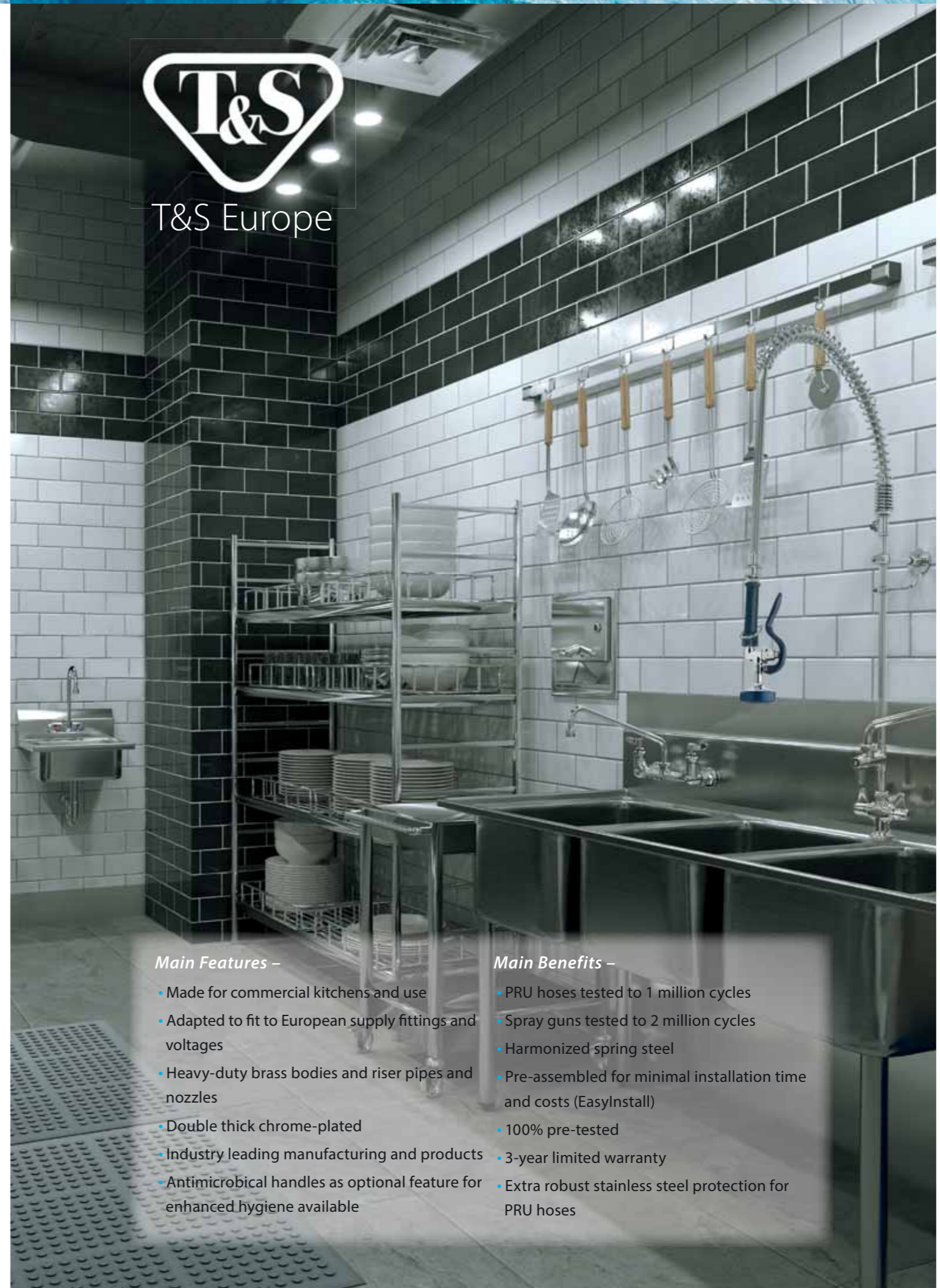


Optional: Pre-Rinse Swivel - 018200-40

Swivel allows 360° rotation and motion, reducing strain and fatigue in users and extends the life of the hoses. Factory installed on select pre-rinse units and spray valve assemblies, but can be easily retrofitted when ordered separately.



T&S Europe



Main Features –

- Made for commercial kitchens and use
- Adapted to fit to European supply fittings and voltages
- Heavy-duty brass bodies and riser pipes and nozzles
- Double thick chrome-plated
- Industry leading manufacturing and products
- Antimicrobial handles as optional feature for enhanced hygiene available

Main Benefits –

- PRU hoses tested to 1 million cycles
- Spray guns tested to 2 million cycles
- Harmonized spring steel
- Pre-assembled for minimal installation time and costs (EasyInstall)
- 100% pre-tested
- 3-year limited warranty
- Extra robust stainless steel protection for PRU hoses



EU-1DP Series

- EN** T&S Europe line – Single hole, single temperature, deck mount pre-rinse units optional with riser add-on faucet with 308 mm swivel nozzle (Ø20mm). 60mm-long mounting shank, ½" NPS male inlet with which is compatible with G½" with check valve adapter, ¼ turn ceramic cartridge(s) with "Euro Lever" handle optional as Antimicrobial handle, brass, chrome-plated. Available with spray valves with flow rates ranging from 2.46 to 21.2 L /min.
- ESP** Línea Europe de T&S: Unidades de prelavado para montaje sobre cubierta, de un solo orificio, de una sola temperatura con grifo complementario con tubo de subida opcional con boquilla (Ø20 mm) giratoria de 308 mm. Vástago de montaje de 60 mm de longitud, entrada macho de ½" NPS compatible con G½" con adaptador de válvula de retención, cartuchos de cerámica de ¼ de vuelta con maneral "Euro Lever" opcional como maneral antimicrobiano, de latón, cromado. Disponible con válvulas aspersoras con caudales que van de 2,46 a 21,2 l/min.
- GER** T&S Europe line – Einloch-Eingriff-Geschirrbrause zur Aufschmuntage (Monotemperatur), wahlweise mit schwenkbarem Auslauf mit 308mm Länge (Ø20mm). 60mm Montageschaft, ½" NPS AG welches zu G ½" IG kompatibel ist, mit Adapter mit Rückflussverhinderer. Keramikartusche(n) mit ¼ Drehung mit "Euro Lever" Griff(en), wahlweise mit Anti-Mikrobieller-Beschichtung, Messing, glanzverchromt. Erhältlich mit verschiedenen Handbrausen von 2,46 bis 21,2 L/min Durchlauf.
- FR** Ligne T&S Europe - Unités de pré-rinçage monotrou, monotempérature, montées sur le plan de travail, en option avec robinetterie additionnelle sur colonne montante avec buse pivotante de 308 mm (Ø20 mm). Tige de montage de 60 mm de long, entrée mâle ½ po. NPS compatible avec G½ po. avec adaptateur de clapet anti-retour, cartouche(s) céramique(s) ¼ de tour avec poignée « Euro Lever » en option comme poignée antimicrobienne, laiton chromé. Disponibles avec des vannes de pulvérisation avec des débits allant de 2,46 à 21,2 l/mn.
- ITA** Linea T&S Europe - Gruppi doccia monoforo da banco, ad un'acqua, con rubinetto sul tubo opzionale con canna orientabile L. 308 mm (Ø20 mm). Gambo di fissaggio L. 60 mm filettato maschio NPS ½" compatibile con femmina G½", adattatore con valvola di ritegno, vitone/i ceramico/i con apertura ¼ di giro con maniglia "Euro Lever", rivestimento antimicrobico opzionale, in ottone cromato. Disponibile con teste doccia con portate da 2,46 a 21,2 L /min.

Model Number	Inlet Type (D)	Installation / Mounting Hole Ø	Clearance (C)	Nozzle Length (L)	Nozzle Height (H)	Spray Valve	Spray Valve Flow Rate	AOF Flow Rate	Cartridge	Stocking Article in Europe
EU-1DP00-L*	½" NPS male, G½" compatible	Deck mount, 25 mm	N/A	N/A	N/A	EB-0107-C	2.46 L/min	N/A	Ceramic	×
EU-1DP00-J*						EB-0107-J	4.05 L/min			×
EUK-1DP00*						UK-0107	4.35 L/min			×
EU-1DP00						EB-0107**	21.2 L/min			×
EU-1DP12-L*			292 mm	308 mm	144 mm	Full flow 17 L/min	EB-0107-C	2.46 L/min		×
EU-1DP12-J*							EB-0107-J	4.05 L/min		×
EUK-1DP12*							UK-0107	4.35 L/min		×
EU-1DP12							EB-0107**	21.2 L/min		×

* Available by request

** EB-0107 not intended for use with PRUs in North America

Spare Parts and Accessories

Model	Description	Model	Description
001014-45	Washer, B-0100 Hose Barrel	E-HDL-L-AM	Anti-Microbial Coated Euro Lever Handle w/ Color Coded Screws
013787-45	equip Quarter-Turn Ceramic Cartridge, RTC (Red)	E-HDL-W-AM	Anti-Microbial Coated Euro Wrist Action Handle w/ Color Coded Screws
EU-EZ-K	Euro EasyInstall Retro-fit Kit	EB-10K	Replacement Parts Kit for EB-0107 Spray Valve
014200-45	Star Washer, Anti-Rotation	EB-10K-C	EB-0107-C Repair Parts Kit
EB-0044-R	44" Flexible Stainless Steel Hose w/ Blue Handle	EB-10K-C-NS	EB-0107-C Repair Parts Kit New Style
018200-40	Pre-rinse Hose and Spray Valve Hex Swivel with 7/8-20 UN female Outlet and 7/8-20 UN male Inlet	EB-10K-J	EB-0107-J Repair Parts Kit
E-HDL-L	European Lever Handle Kit w/ Color Coded Screws	EB-10K-J-NS	EB-0107-J Repair Parts Kit



EU-2DP Series

- EN** T&S Europe line – Single hole, mixing temperature, deck mount pre-rinse units optional with riser add-on faucet with 308 mm swivel nozzle (Ø20mm). 60mm-long mounting shank, G½" male inlets also with couplers for copper pipes with 15mm outer diameter with check valves, ¼ turn ceramic cartridges with "Euro Lever" handles optional as Antimicrobial handles, brass, chrome-plated. Available with spray valves with flow rates ranging from 2.46 to 21.2 L /min.
- ESP** Línea Europe de T&S: Unidades de prelavado para montaje sobre cubierta, de un solo orificio, de una sola temperatura con grifo complementario con tubo de subida opcional con boquilla (Ø20 mm) giratoria de 308 mm. Vástago de montaje de 60 mm de longitud, entrada macho de ½" NPS compatible con G½" con adaptador de válvula de retención, cartuchos de cerámica de ¼ de vuelta con maneral "Euro Lever" opcional como maneral antimicrobiano, de latón, cromado. Disponible con válvulas aspersoras con caudales que van de 2.46 a 21.2 l/min.
- GER** T&S Europe line - Einloch-Zweigriff-Geschirrbrause zur Aufschraubmontage, wahlweise mit schwenkbarem Auslauf mit 308mm Länge (Ø20mm). 60mm Montageschaft, G ½" AG und Kupplungen für 15mm Cu-Rohr mit Rückflussverhinderern. Keramikartuschen mit ¼ Drehung mit "Euro Lever" Griffen, wahlweise mit Anti-Mikrobieller-Beschichtung, Messing, glanzverchromt. Erhältlich mit verschiedenen Handbrausen von 2,46 bis 21,2 L/min Durchlauf.
- FR** Ligne T&S Europe - Unités de pré-rinçage monotrou, monotempérature, montées sur le plan de travail, en option avec robinetterie additionnelle sur colonne montante avec buse pivotante de 308 mm (Ø20 mm). Tige de montage de 60 mm de long, entrée mâle ½ po. NPS compatible avec G½ po. avec adaptateur de clapet anti-retour, cartouche(s) céramique(s) ¼ de tour avec poignée « Euro Lever » en option comme poignée antimicrobienne, laiton chromé. Disponibles avec des vannes de pulvérisation avec des débits allant de 2,46 à 21,2 l/mn.
- ITA** Linea T&S Europe - Gruppo doccia monoforo miscelatore da banco con rubinetto sul tubo opzionale con canna orientabile L. 308 mm (Ø20 mm). Gambo di fissaggio L. 60 mm, flessibili di raccordo maschio G½" oppure tubetti di alimentazione in rame diam. 15mm con valvole di ritegno. Vitoni ceramici con apertura ¼ di giro con "Euro Lever", rivestimento antimicrobico opzionale, in ottone cromato. Disponibile con teste doccia con portate che vanno da 2,46 a 21,2 L /min.

Model Number	Inlet Type (D)	Installation / Mounting Hole Ø	Clearance (C)	Nozzle Length (L)	Nozzle Height (H)	Spray Valve	Spray Valve Flow Rate	AOF Flow Rate	Cartridge	Stocking Article in Europe
EU-2DP00-L	Flexible supply hose with G½" male also with coupler for 15mm copper pipes with check valve	Deck mount, 38 mm	N/A	N/A	N/A	EB-0107-C	2.46 L/min	N/A	Ceramic	×
EU-2DP00-J*						EB-0107-J	4.05 L/min			×
EUK-2DP00						UK-0107	4.35 L/min			✓
EU-2DP00						EB-0107**	21.2 L/min			✓
EU-2DP12-L			279 mm	308 mm	144 mm	EB-0107-C	2.46 L/min	Full flow 17 L/min		×
EU-2DP12-J						EB-0107-J	4.05 L/min			✓
EUK-2DP12						UK-0107	4.35 L/min			✓
EU-2DP12						EB-0107**	21.2 L/min			✓

* Available by request

** EB-0107 not intended for use with PRUs in North America

Spare Parts and Accessories

Model	Description	Model	Description
001014-45	Washer, B-0100 Hose Barrel	E-HDL-L-AM	Anti-Microbial Coated Euro Lever Handle w/ Color Coded Screws
013787-45	equip Quarter-Turn Ceramic Cartridge, RTC (Red)	E-HDL-W-AM	Anti-Microbial Coated Euro Wrist Action Handle w/ Color Coded Screws
EU-EZ-K	Euro EasyInstall Retro-fit Kit	EB-10K	Replacement Parts Kit for EB-0107 Spray Valve
014200-45	Star Washer, Anti-Rotation	EB-10K-C	EB-0107-C Repair Parts Kit
EB-0044-R	44" Flexible Stainless Steel Hose w/ Blue Handle	EB-10K-C-NS	EB-0107-C Repair Parts Kit New Style
018200-40	Pre-rinse Hose and Spray Valve Hex Swivel with 7/8-20 UN female Outlet and 7/8-20 UN male Inlet	EB-10K-J	EB-0107-J Repair Parts Kit
E-HDL-L	European Lever Handle Kit w/ Color Coded Screws	EB-10K-J-NS	EB-0107-J Repair Parts Kit



Model Number	Inlet Type (D)	Installation / Mounting Hole Ø	Clearance (C)	Nozzle Length (L)	Nozzle Height (H)	Spray Valve	Spray Valve Flow Rate	AOF Flow Rate	Cartridge	Stocking Article in Europe	
EU-6DP00-L	½-14 BSPT male	Deck mount, 2 x 25 mm, 155 mm distance	N/A	N/A	N/A	EB-0107-C	2.46 L/min	N/A	Ceramic	×	
EU-6DP00-J*						EB-0107-J	4.05 L/min			×	
EU-6DP00						UK-0107	4.35 L/min			✓	
EU-6DP00						EB-0107**	21.2 L/min			✓	
EU-6DP12-L			273 mm	308 mm	144 mm	Full flow 17 L/min	EB-0107-C	2.46 L/min		Full flow 17 L/min	×
EU-6DP12-J*							EB-0107-J	4.05 L/min			×
EU-6DP12							UK-0107	4.35 L/min			✓
EU-6DP12							EB-0107**	21.2 L/min			✓

* Available by request

** EB-0107 not intended for use with PRUs in North America

EU-6DP Series

- EN** T&S Europe line – Double hole (155mm distance), mixing temperature, deck mount pre-rinse units optional with riser add-on faucet with 308 mm swivel nozzle (Ø20mm). 60mm-long mounting shank, ½" BSP male inlet with which is compatible with G½" with check valves, ¼ turn ceramic cartridges with "Euro Lever" handles optional as Antimicrobial handles, brass, chrome-plated. Available with spray valves with flow rates ranging from 2.46 to 21.2 L /min.
- ESP** Línea Europe de T&S: Unidades de prelavado para montaje sobre cubierta de orificio doble (155 mm de separación), mezcladoras de temperatura con grifo complementario con tubo de subida opcional con boquilla (Ø20 mm) giratoria de 308 mm. Vástago de montaje de 60 mm de longitud, entrada macho BSP de ½" compatible con G½" con válvulas de retención, cartuchos de cerámica de ¼ de vuelta con manuales "Euro Lever" opcionales como manuales antimicrobianos, de latón, cromados. Disponible con válvulas aspersoras con caudales que van de 2.46 a 21.2 l/min.
- GER** T&S Europe line – Zweiloch-Zweigriff-Geschirrbrause zur Aufschmtonage, wahlweise mit schwenkbarem Auslauf mit 308mm Länge (Ø20mm). 60mm Montageschaft, ½" BSP AG, welcher mit G½" IG kompatibel ist, mit Rückflussverhinderern. Keramikartuschen mit ¼ Drehung mit "Euro Lever" Griffen, wahlweise mit Anti-Mikrobieller-Beschichtung, Messing, glanzverchromt. Erhältlich mit verschiedenen Handbrausen von 2,46 bis 21,2 L/min Durchlauf.
- FR** Ligne T&S Europe - Unités de pré-rinçage à deux trous (écartement de 155 mm), à mélangeur, montées sur le plan de travail, en option avec robinetterie additionnelle sur colonne montante avec buse pivotante de 308 mm (Ø20 mm). Tige de montage de 60 mm de long, entrée mâle ½ po. BSP compatible avec G½ po. avec adaptateur de clapet anti-retour, cartouches céramiques ¼ de tour avec poignée « Euro Lever » en option comme poignée antimicrobienne, laiton chromé. Disponibles avec des vannes de pulvérisation avec des débits allant de 2,46 à 21,2 l/mn.
- ITA** Linea T&S Europe – Gruppo Doccia biforo miscelatore da banco (interasse 155mm) con rubinetto sul tubo opzionale con canna orientabile L. 308 mm (Ø20 mm). Gambo di fissaggio L. 60 mm filettato maschio ½" BSP compatibile con femmina G½", con valvola di ritegno. Vitoni ceramici con apertura ¼ di giro con maniglia "Euro Lever", rivestimento antimicrobico opzionale, in ottone cromato. Disponibile con teste doccia con portate che vanno da 2,46 a 21,2 L /min.

Spare Parts and Accessories

Model	Description	Model	Description
001014-45	Washer, B-0100 Hose Barrel	E-HDL-L-AM	Anti-Microbial Coated Euro Lever Handle w/ Color Coded Screws
013787-45	equip Quarter-Turn Ceramic Cartridge, RTC (Red)	E-HDL-W-AM	Anti-Microbial Coated Euro Wrist Action Handle w/ Color Coded Screws
013788-45	Euro EasyInstall Retro-fit Kit	EB-10K	Replacement Parts Kit for EB-0107 Spray Valve
EU-EZ-K	Star Washer, Anti-Rotation	EB-10K-C	EB-0107-C Repair Parts Kit
014200-45	44" Flexible Stainless Steel Hose w/ Blue Handle	EB-10K-C-NS	EB-0107-C Repair Parts Kit New Style
EB-0044-R	Pre-rinse Hose and Spray Valve Hex Swivel with 7/8-20 UN female Outlet and 7/8-20 UN male Inlet	EB-10K-J	EB-0107-J Repair Parts Kit
018200-40	European Lever Handle Kit w/ Color Coded Screws	EB-10K-J-NS	EB-0107-J Repair Parts Kit
E-HDL-L	European Lever Handle Kit w/ Color Coded Screws		



Model Number	Inlet Type (D)	Installation / Mounting Hole Ø	Clearance (C)	Nozzle Length (L)	Nozzle Height (H)	Spray Valve	Spray Valve Flow Rate	AOF Flow Rate	Cartridge	Stocking Article in Europe
EU-6WP00-L*	G½" Male offset inlets	Wall mount, 2 x 25 mm at 155 mm distance	N/A	N/A	N/A	EB-0107-C	2.46 L/min	N/A	Ceramic	×
EU-6WP00-J*						EB-0107-J	4.05 L/min			×
EUK-6WP00*						UK-0107	4.35 L/min			×
EU-6WP00*						EB-0107**	21.2 L/min			×
EU-6WP12-L*				308 mm	144 mm	Full flow 17 L/min	EB-0107-C	2.46 L/min		×
EU-6WP12-J*							EB-0107-J	4.05 L/min		×
EUK-6WP12							UK-0107	4.35 L/min		✓
EU-6WP12							EB-0107**	21.2 L/min		✓

* Available by request

** EB-0107 not intended for use with PRUs in North America

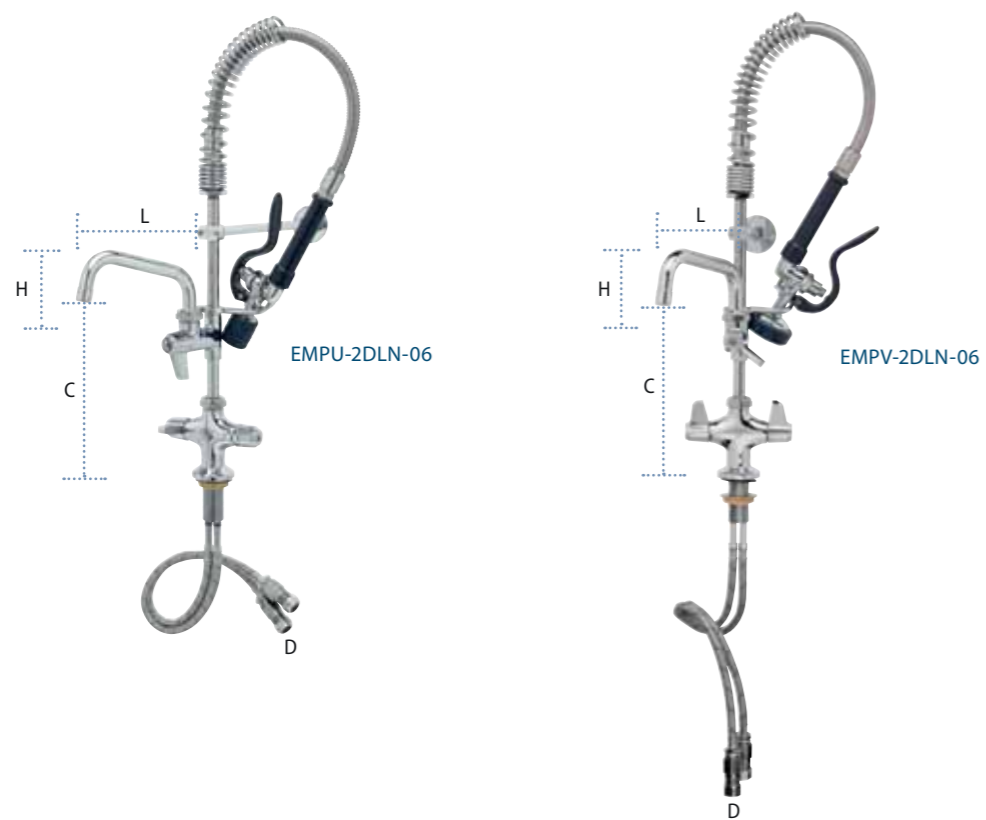
EU-6WP Series

- EN** T&S Europe line – Double hole (155 mm distance), mixing temperature, wall mount pre-rinse units optional with riser add-on faucet with 308 mm swivel nozzle faucet with swivel or rigid nozzle (Ø20mm). G½" male inlets with check valves, ¼ turn ceramic cartridges with "Euro Lever" handles optional as Antimicrobial handles, brass, chrome-plated. Available with spray valves with flow rates ranging from 2.46 to 21.2 L/min.
- ESP** Línea Europe de T&S: Unidades de prelavado para montaje en pared, de orificio doble (155 mm de separación), mezcladoras de temperatura con grifo complementario con tubo de subida opcional con grifo de boquilla giratoria de 308 mm con boquilla giratoria o rígida (Ø20 mm). Entradas macho G½" con válvulas de retención, cartuchos de cerámica de ¼ de vuelta con manerales "Euro Lever" opcionales como manerales antimicrobianos, de latón, cromados. Disponible con válvulas aspersoras con caudales que van de 2.46 a 21.2 l/min.
- GER** T&S Europe line – Zweiloch-Zweigriff-Geschirrbrause zur Wandmontage (155 mm), wahlweise mit schwenkbarem oder starrem 308mm langem Auslauf (Ø20mm). G½" AG mit Rückflussverhinderern. Keramikartuschen mit ¼ Drehung mit "Euro Lever" Griffen, wahlweise mit Anti-Mikrobieller-Beschichtung, Messing, glanzverchromt. Erhältlich mit verschiedenen Handbrausen von 2,46 bis 21,2 l/min Durchlauf.
- FR** Ligne T&S Europe - Unités de pré-rinçage à deux trous (écartement de 155 mm), à mélangeur, à montage mural, en option avec robinetterie additionnelle sur colonne montante avec buse pivotante ou fixe de 308 mm (Ø20 mm). Entrées mâles G½ po. avec clapets anti-retour, cartouches céramiques ¼ de tour avec poignées « Euro Lever » en option comme poignées antimicrobiennes, laiton chromé. Disponibles avec des vannes de pulvérisation avec des débits allant de 2,46 à 21,2 l/mn.
- ITA** Linea T&S Europe – Gruppo Doccia biforo miscelatore a parete (interasse 155 mm) con rubinetto sul tubo opzionale con canna L. 308 mm (Ø20 mm), orientabile o fissa. Raccordi maschio G½" con valvole di ritegno. Vitoni ceramici con apertura ¼ di giro con maniglia "Euro Lever", rivestimento antimicrobico opzionale, in ottone cromato. Disponibile con teste doccia con portate che vanno da 2,46 a 21,2 L/min.

Spare Parts and Accessories

Model	Description	Model	Description
001014-45	Washer, B-0100 Hose Barrel	E-HDL-L-AM	Anti-Microbial Coated Euro Lever Handle w/ Color Coded Screws
013788-45	equip Quarter-Turn Ceramic Cartridge, LTC (Blue)	E-HDL-W-AM	Anti-Microbial Coated Euro Wrist Action Handle w/ Color Coded Screws
013787-45	equip Quarter-Turn Ceramic Cartridge, RTC (Red)	EB-10K	Replacement Parts Kit for EB-0107 Spray Valve
EU-EZ-K	Euro EasyInstall Retro-fit Kit	EB-10K-C	EB-0107-C Repair Parts Kit
014200-45	Star Washer, Anti-Rotation	EB-10K-C-NS	EB-0107-C Repair Parts Kit New Style
EB-0044-R	44" Flexible Stainless Steel Hose w/ Blue Handle	EB-10K-J	EB-0107-J Repair Parts Kit
018200-40	Pre-rinse Hose and Spray Valve Hex Swivel with 7/8-20 UN female Outlet and 7/8-20 UN male Inlet	EB-10K-J-NS	EB-0107-J Repair Parts Kit
E-HDL-L	European Lever Handle Kit w/ Color Coded Screws		

Low-profile PRUs are ideal for kitchens and prep areas with little space, such as coffee shops, kitchens with wall cabinets, etc.



EMPU-2DLN, EMPV-2DLN and UMPK-2DLN Series

- EN** T&S Europe line – Single hole, mixing temperature, deck mount low-profile pre-rinse units optional with riser add-on faucet with 156 mm swivel nozzle (Ø20mm). 60mm-long mounting shank, G½" male inlets also with couplers for copper pipes with 15mm outer diameter with check valves, ¼ turn ceramic cartridges with "Euro Lever" handles optional as Antimicrobial handles, brass, chrome-plated. Available with spray valves with flow rates ranging from 2.46 to 21.2 L/min.
- ESP** Línea Europe de T&S: Unidades de prelavado compactas/cortas para montaje sobre cubierta, de un solo orificio, mezcladoras de temperatura con grifo complementario con tubo de subida opcional con boquilla (Ø20 mm) giratoria de 156 mm. Vástago de montaje de 60 mm de longitud, entradas macho G½", también con acopladores para tubos de cobre de 15 mm de diámetro exterior con válvulas de retención, cartuchos de cerámica de ¼ de vuelta con manuales "Euro Lever" opcionales como manuales antimicrobianos, de latón, cromados. Disponible con válvulas aspersoras con caudales que van de 2.46 a 21.2 l/min.
- GER** T&S Europe line – Einloch-Zweigriff-Mini-Geschirrbrause zur Auf Tischmontage in niedriger Ausführung, wahlweise mit schwenkbarem Auslauf mit 156mm Länge (Ø20mm). 60mm Montageschaft, G ½" AG und Kupplungen für 15mm Cu-Rohr mit Rückflussverhinderern. Keramikartuschen mit ¼ Drehung mit "Euro Lever" Griffen, wahlweise mit Anti-Mikrobieller-Beschichtung, Messing, glanzverchromt. Erhältlich mit verschiedenen Handbrausen von 2,46 bis 21,2 l/min Durchlauf.
- FR** Ligne T&S Europe - Unités de pré-rinçage monotrou, à mélangeur, montées sur le plan de travail à faible encombrement/compactes, en option avec robinetterie additionnelle sur colonne montante avec buse pivotante de 156 mm (Ø20 mm). Tige de montage de 60 mm de long, entrées mâles G½ po. également avec coupleurs pour tuyaux en cuivre de 15 mm de diamètre extérieur avec clapets anti-retour, cartouches céramiques ¼ de tour avec poignées « Euro Lever » en option comme poignées antimicrobiennes, laiton chromé. Disponibles avec des vannes de pulvérisation avec des débits allant de 2,46 à 21,2 l/mn.
- ITA** Linea T&S Europe – Gruppo doccia monoforo miscelatore da banco ad altezza ridotta con rubinetto sul tubo opzionale con canna orientabile L. 156 mm (Ø20 mm). Gambo di fissaggio L. 60 mm, flessibili di raccordo maschio G½" oppure tubetti di alimentazione in rame diam. 15mm con valvole di ritegno. Vitoni ceramici con apertura ¼ di giro con "Euro Lever", rivestimento antimicrobico opzionale, in ottone cromato. Disponibile con teste doccia con portate che vanno da 2,46 a 21,2 L /min.

Model Number	Inlet Type (D)	Installation / Mounting Hole Ø	Clearance (C)	Nozzle Length (L)	Nozzle Height (H)	Spray Valve	Spray Valve Flow Rate	AOF Flow Rate	Cartridge	Stocking Article in Europe
EMPU-2DLN-00	457 mm long flexible supply hoses w/ check valve, ½ NPSM male thread or 15 mm compression fitting					EB-0107-C	2.46 L/min	N/A		✓
EMPV-2DLN-00-J*						EB-0107-J	4.05 L/min			✗
UMPK-2DLN-00	500 mm long flexible supply hoses w/ check valve, G½ (½" BSPP) female swivel nut		N/A	N/A	N/A	UK-0107	4.35 L/min	N/A		✓
EMPV-2DLN-00	457 mm long flexible supply hoses w/ check valve, ½ NPSM male thread or 15 mm compression fitting	38 mm				EB-0107**	High flow			Full flow 17 L/min
EMPU-2DLN-06						EB-0107-C	2.46 L/min	✓		
EMPV-2DLN-06-J*			239 mm			EB-0107-J	4.05 L/min			✗
UMPK-2DLN-06	500 mm long flexible supply hoses w/ check valve, G½ (½" BSPP) female swivel nut		238 mm	156 mm	103 mm	UK-0107	4.35 L/min			✓
EMPV-2DLN-06	457 mm long flexible supply hoses w/ check valve, ½ NPSM male thread or 15 mm compression fitting		241 mm			EB-0107**	High flow			✓

* Available by request

** EB-0107 not intended for use with PRUs in North America

Spare Parts and Accessories

Model	Description	Model	Description
001014-45	Washer, B-0100 Hose Barrel	E-HDL-L-AM	Anti-Microbial Coated Euro Lever Handle w/ Color Coded Screws
013787-45	equip Quarter-Turn Ceramic Cartridge, RTC (Red)	E-HDL-W-AM	Anti-Microbial Coated Euro Wrist Action Handle w/ Color Coded Screws
013788-45	equip Quarter-Turn Ceramic Cartridge, LTC (Blue)	EB-10K	Replacement Parts Kit for EB-0107 Spray Valve
EU-EZ-K	Euro EasyInstall Retro-fit Kit	EB-10K-C	EB-0107-C Repair Parts Kit
014200-45	Star Washer, Anti-Rotation	EB-10K-C-NS	EB-0107-C Repair Parts Kit New Style
EB-0044-R	44" Flexible Stainless Steel Hose w/ Blue Handle	EB-10K-J	EB-0107-J Repair Parts Kit
018200-40	Pre-rinse Hose and Spray Valve Hex Swivel with 7/8-20 UN female Outlet and 7/8-20 UN male Inlet	EB-10K-J-NS	EB-0107-J Repair Parts Kit
E-HDL-L	European Lever Handle Kit w/ Color Coded Screws		

Low-profile PRUs are ideal for kitchens and prep areas with little space, such as coffee shops, kitchens with wall cabinets, etc.



Model Number	Inlet Type (D)	Installation / Mounting Hole Ø	Clearance (C)	Nozzle Length (L)	Nozzle Height (H)	Spray Valve	Spray Valve Flow Rate	AOF Flow Rate	Cartridge	Stocking Article in Europe
EMPU-6DLN-00*	51 mm Flanges w/ 1/2" BSPT male inlets	2 x 25 mm, ca. 152 mm apart	N/A	N/A	N/A	EB-0107-C	2.46 L/min	N/A	Ceramic	×
EMPV-6DLN-00-J*						EB-0107-J	4.05 L/min	×		
UMPK-6DLN-00						UK-0107	4.35 L/min	✓		
EMPV-6DLN-00*						EB-0107**	High flow	×		
EMPU-6DLN-06*			232 mm	156 mm	103 mm	EB-0107-C	2.46 L/min	Full flow 17 L/min		×
EMPV-6DLN-06-J*			232 mm			EB-0107-J	4.05 L/min			×
UMPK-6DLN-06			230 mm			UK-0107	4.35 L/min			✓
EMPV-6DLN-06			232 mm			EB-0107**	High flow			✓

* Available by request

** EB-0107 not intended for use with PRUs in North America

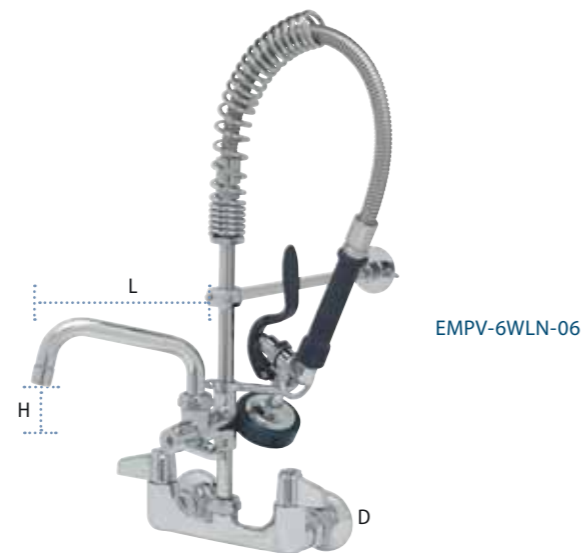
EMPU-6DLN, EMPV-6DLN and UMPK-6DLN Series

- EN** T&S Europe line – Double hole (155mm distance), mixing temperature, deck mount low-profile pre-rinse units optional with riser add-on faucet with 156 mm swivel nozzle (Ø20mm). 60mm-long mounting shank, 1/2" BSP male inlet with which is compatible with G1/2" with check valves, 1/4 turn ceramic cartridges with "Euro Lever" handles optional as Antimicrobial handles, brass, chrome-plated. Available with spray valves with flow rates ranging from 2.46 to 21.2 L /min.
- ESP** Línea Europe de T&S: Unidades de prelavado compactas/cortas para montaje sobre cubierta, de orificio doble (155 mm de separación), mezcladoras de temperatura con grifo complementario con tubo de subida opcional con boquilla (Ø20 mm) giratoria de 156 mm. Vástago de montaje de 60 mm de longitud, entrada macho BSP de 1/2" compatible con G1/2" con válvulas de retención, cartuchos de cerámica de 1/4 de vuelta con manuales "Euro Lever" opcionales como manuales antimicrobianos, de latón, cromados. Disponible con válvulas aspersoras con caudales que van de 2.46 a 21.2 l/min.
- GER** T&S Europe line – Zweiloch-Zweigriff-Mini-Geschirrbrause zur Auf Tischmontage 155 mm in niedriger Ausführung, wahlweise mit schwenkbarem Auslauf mit 156 mm Länge (Ø20mm). 60mm Montageschaft, 1/2" BSP AG, welcher mit G1/2" IG kompatibel ist, mit Rückflussverhinderern. Keramikartuschen mit 1/4 Drehung mit "Euro Lever" Griffen, wahlweise mit Anti-Mikrobieller-Beschichtung, Messing, glanzverchromt. Erhältlich mit verschiedenen Handbrausen von 2,46 bis 21,2 L/min Durchlauf.
- FR** Ligne T&S Europe - Unités de pré-rinçage à deux trous (écartement de 155 mm), à mélangeur, montées sur le plan de travail à faible encombrement/compactes, en option avec robinetterie additionnelle sur colonne montante avec buse pivotante de 156 mm (Ø20 mm). Tige de montage de 60 mm de long, entrée mâle 1/2 po. BSP compatible avec G1/2 po. avec adaptateur de clapet anti-retour, cartouches céramiques 1/4 de tour avec poignée « Euro Lever » en option comme poignée antimicrobienne, laiton chromé. Disponibles avec des vannes de pulvérisation avec des débits allant de 2,46 à 21,2 l/mn.
- ITA** Linea T&S Europe - Gruppo Doccia biforo miscelatore da banco (interasse 155 mm) ad altezza ridotta con rubinetto sul tubo opzionale con canna orientabile L. 156 mm (Ø20 mm). Gambo di fissaggio L. 60 mm filettato maschio 1/2" BSP compatibile con femmina G1/2", con valvola di ritegno. Vitoni ceramici con apertura 1/4 di giro con maniglia "Euro Lever", rivestimento antimicrobico opzionale, in ottone cromato. Disponibile con teste doccia con portate che vanno da 2,46 a 21,2 L /min.

Spare Parts and Accessories

Model	Description	Model	Description
001014-45	Washer, B-0100 Hose Barrel	E-HDL-L-AM	Anti-Microbial Coated Euro Lever Handle w/ Color Coded Screws
013787-45	equip Quarter-Turn Ceramic Cartridge, RTC (Red)	E-HDL-W-AM	Anti-Microbial Coated Euro Wrist Action Handle w/ Color Coded Screws
013788-45	equip Quarter-Turn Ceramic Cartridge, LTC (Blue)	EB-10K	Replacement Parts Kit for EB-0107 Spray Valve
EU-EZ-K	Euro EasyInstall Retro-fit Kit	EB-10K-C	EB-0107-C Repair Parts Kit
014200-45	Star Washer, Anti-Rotation	EB-10K-C-NS	EB-0107-C Repair Parts Kit New Style
EB-0044-R	44" Flexible Stainless Steel Hose w/ Blue Handle	EB-10K-J	EB-0107-J Repair Parts Kit
018200-40	Pre-rinse Hose and Spray Valve Hex Swivel with 7/8-20 UN female Outlet and 7/8-20 UN male inlet	EB-10K-J-NS	EB-0107-J Repair Parts Kit
E-HDL-L	European Lever Handle Kit w/ Color Coded Screws		

Low-profile PRUs are ideal for kitchens and prep areas with little space, such as coffee shops, kitchens with wall cabinets, etc.



EMPV-6WLN-06

Model Number	Inlet Type (D)	Installation / Mounting Hole Ø	Clearance (C)	Nozzle Length (L)	Nozzle Height (H)	Spray Valve	Spray Valve Flow Rate	AOF Flow Rate	Cartridge	Stocking Article in Europe
EMPU-6WLN-00*	G½" male offset inlets	2 x 25 mm, ca. 152 mm apart	N/A	N/A	N/A	EB-0107-C	2.46 L/min	N/A	Ceramic	×
EMPV-6WLN-00-J*						EB-0107-J	4.05 L/min	×		
EMPK-6WLN-00*						UK-0107	4.35 L/min	×		
EMPV-6WLN-00*						EB-0107**	High flow	×		
EMPU-6WLN-06*				156 mm	103 mm	Full flow 17 L/min	EB-0107-C	2.46 L/min		×
EMPV-6WLN-06-J*							EB-0107-J	4.05 L/min		×
EMPK-6WLN-06							UK-0107	4.35 L/min		✓
EMPV-6WLN-06							EB-0107**	High flow		✓

* Available by request

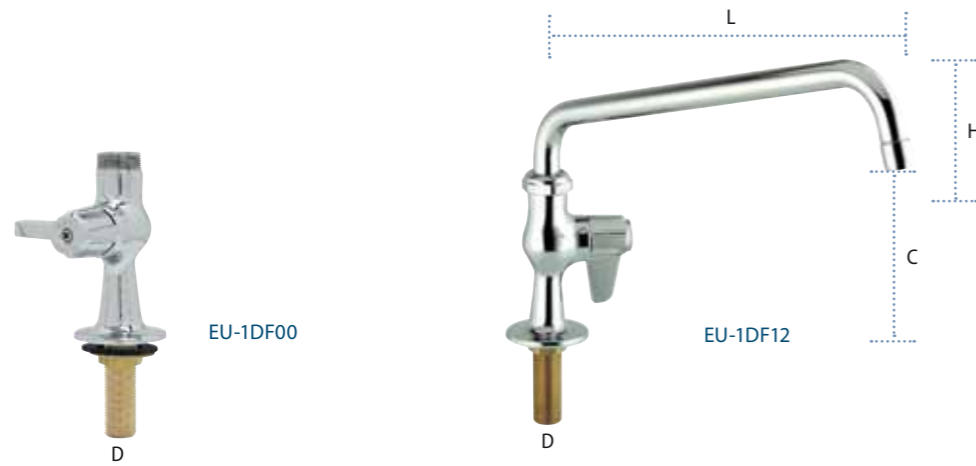
** EB-0107 not intended for use with PRUs in North America

EMPV-6WLN Series

- EN** T&S Europe line – Double hole (155 mm distance), mixing temperature, wall mount low-profile pre-rinse units optional with riser add-on faucet with 156mm swivel nozzle (Ø20mm). G½" male inlets with check valves, ¼ turn ceramic cartridges with "Euro Lever" handles optional as Antimicrobial handles, brass, chrome-plated. Available with spray valves with flow rates ranging from 2.46 to 21.2 L/min.
- ESP** Línea Europe de T&S: Unidades de prelavado compactas/cortas para montaje en pared, de orificio doble (155 mm de separación), mezcladoras de temperatura con grifo complementario con tubo de subida opcional con boquilla (Ø20 mm) giratoria de 156 mm. Entrada macho G ½" con válvulas de retención, cartuchos de cerámica de ¼ de vuelta con manuales "Euro Lever" opcionales como manuales antimicrobianos, de latón, cromados. Disponible con válvulas aspersoras con caudales que van de 2.46 a 21.2 l/min.
- GER** T&S Europe line – Zweiloch-Zweigriff-Mini-Geschirrbrause zur Wandmontage (155 mm) in niedriger Ausführung, wahlweise mit schwenkbarem oder starrem 156 mm langem Auslauf (Ø20mm). G½" AG mit Rückflussverhinderern. Keramikartuschen mit ¼ Drehung mit "Euro Lever" Griffen, wahlweise mit Anti-Mikrobieller-Beschichtung, Messing, glanzverchromt. Erhältlich mit verschiedenen Handbrausen von 2,46 bis 21,2 l/min Durchlauf.
- FR** Ligne T&S Europe - Unités de pré-rinçage à deux trous (écartement de 155 mm), à mélangeur, à montage mural, à faible encombrement/compactes, en option avec robinetterie additionnelle sur colonne montante avec buse pivotante de 156 mm (Ø20 mm). Entrées mâles G½" avec clapets anti-retour, cartouches céramiques ¼ de tour avec poignées « Euro Lever » en option comme poignées antimicrobiennes, laiton chromé. Disponibles avec des vannes de pulvérisation avec des débits allant de 2,46 à 21,2 l/mn.
- ITA** Linea T&S Europe – Gruppo Doccia biforo miscelatore a parete (interasse 155mm) ad altezza ridotta con rubinetto sul tubo opzionale con canna L. 156 mm (Ø20 mm). Raccordi eccentrici maschio G½" con valvole di ritegno. Vitoni ceramici con apertura ¼ di giro con maniglia "Euro Lever", rivestimento antimicrobico opzionale, in ottone cromato. Disponibile con teste doccia con portate che vanno da 2,46 a 21,2 L /min.

Spare Parts and Accessories

Model	Description	Model	Description
001014-45	Washer, B-0100 Hose Barrel	E-HDL-L-AM	Anti-Microbial Coated Euro Lever Handle w/ Color Coded Screws
013787-45	equip Quarter-Turn Ceramic Cartridge, RTC (Red)	E-HDL-W-AM	Anti-Microbial Coated Euro Wrist Action Handle w/ Color Coded Screws
013788-45	equip Quarter-Turn Ceramic Cartridge, LTC (Blue)	EB-10K	Replacement Parts Kit for EB-0107 Spray Valve
EU-EZ-K	Euro EasyInstall Retro-fit Kit	EB-10K-C	EB-0107-C Repair Parts Kit
014200-45	Star Washer, Anti-Rotation	EB-10K-C-NS	EB-0107-C Repair Parts Kit New Style
EB-0044-R	44" Flexible Stainless Steel Hose w/ Blue Handle	EB-10K-J	EB-0107-J Repair Parts Kit
018200-40	Pre-rinse Hose and Spray Valve Hex Swivel with 7/8-20 UN female Outlet and 7/8-20 UN male Inlet	EB-10K-J-NS	EB-0107-J Repair Parts Kit
E-HDL-L	European Lever Handle Kit w/ Color Coded Screws		



EU-1DF Series

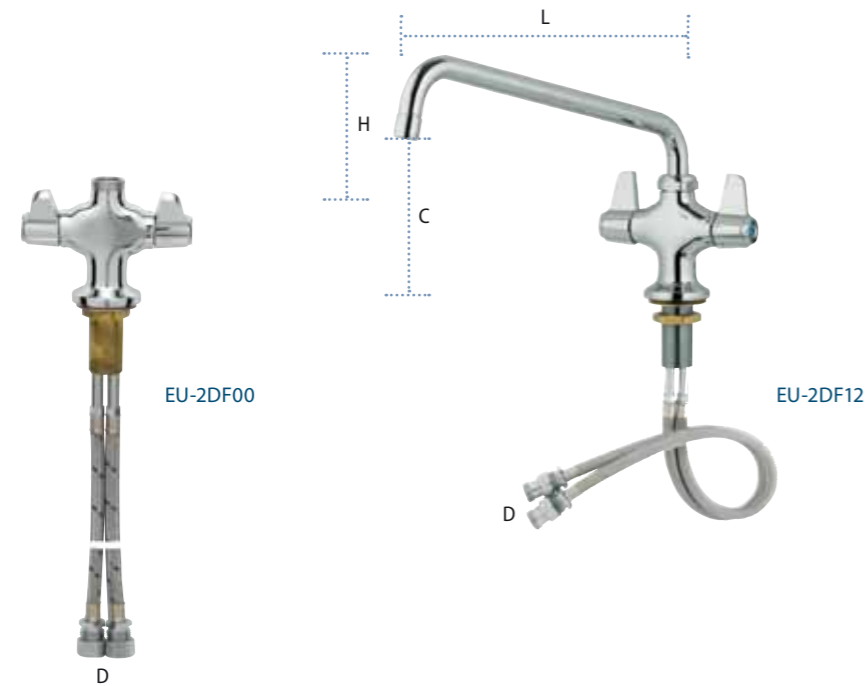
- EN** T&S Europe line – Single hole, single temperature, deck mount faucets with swivel or rigid nozzle (Ø20mm). 60mm-long mounting shank, ½" NPS male inlet with which is compatible with G½" with check valve adapter, ¼ turn ceramic cartridge with "Euro Lever" handles optional as Antimicrobial handles, brass, chrome-plated.
- ESP** Línea Europe de T&S: Grifos para montaje sobre cubierta, de un solo orificio, de una sola temperatura, con boquilla giratoria o rígida (Ø20 mm). Vástago de montaje de 60 mm de longitud, entrada macho de ½" NPS compatible con G½" con adaptador de válvula de retención, cartucho de cerámica de ¼ de vuelta con manuales "Euro Lever" opcionales como manuales antimicrobianos, de latón, cromados.
- GER** T&S Europe line – Einloch-Eingriff-Armatur zur Auf Tischmontage (Monotemperatur), wahlweise mit schwenkbarem oder starrem Auslauf (Ø20mm). 60mm Montageschaft, ½" NPS AG welches zu G ½" IG kompatibel ist, mit Adapter mit Rückflussverhinderer. Keramikartusche mit ¼ Drehung mit "Euro Lever" Griff, wahlweise mit Anti-Mikrobieller-Beschichtung, Messing, glanzverchromt.
- FR** Ligne T&S Europe - Robinets monotrou, monotempérature, à montage sur le plan de travail avec buse pivotante ou fixe (Ø20mm). Tige de montage de 60 mm de long, entrée mâle ½ po. NPS compatible avec G½ po. avec adaptateur de clapet anti-retour, cartouche céramique ¼ de tour avec poignées « Euro Lever » en option comme poignées antimicrobiennes, laiton chromé.
- ITA** Linea T&S Europe - Rubinetto monoforo da banco, ad un'acqua, con canna orientabile o fissa (Ø20 mm). Gambo di fissaggio L. 60 mm filettato maschio NPS ½" compatibile con femmina G½", adattatore con valvola di ritegno. Vitone ceramico con apertura ¼ di giro con maniglia "Euro Lever", rivestimento antimicrobico opzionale, in ottone cromato.

Model Number	Picture	Inlet Type (D)	Installation/ Mounting Hole Ø	Clearance (C)	Nozzle Height (H)	Nozzle Length (L)	Flow Rate	Cartridge	Stocking Article in Europe
EU-1DF00	—	½" NPS male, G½" compatible	Deck mount, 25 mm	N/A	N/A	No nozzle	N/A	Ceramic	✓
EU-1DF03*				222 mm	222 mm	72 mm	Full flow 20 L/min		✗
EU-1DF05*				238 mm	279 mm	140 mm			✗
EU-1DF06*				136 mm	103 mm	156 mm			✗
EU-1DF08*				150 mm	117 mm	206 mm			✗
EU-1DF10*				164 mm	131 mm	257 mm			✗
EU-1DF12				177 mm	144 mm	308 mm			✓
EU-1DF14*				191 mm	158 mm	359 mm			✗
EU-1DF16*				204 mm	171 mm	410 mm			✗
EU-1DF18*				218 mm	185 mm	460 mm			✗
EU-1DF18DJ*		201 mm	185 mm	454 mm	✗				

* Available by request

Spare Parts and Accessories

Model	Description
E-HDL-L	European Lever Handle Kit w/ Color Coded Screws
E-HDL-L-AM	Anti-Microbial Coated Euro Lever Handle w/ Color Coded Screws
E-HDL-W-AM	Anti-Microbial Coated Euro Wrist Action Handle w/ Color Coded Screws
013788-45	equip Quarter-Turn Ceramic Cartridge, LTC (Blue)



EU-2DF Series

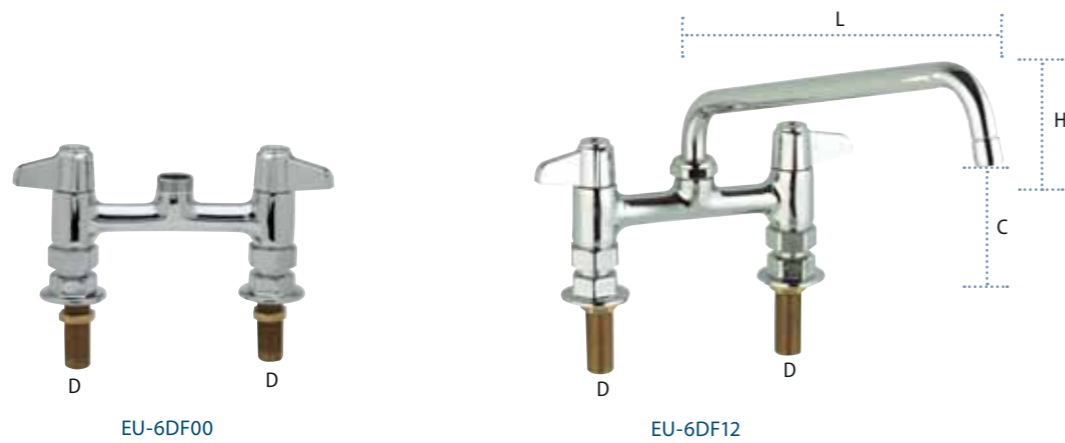
- EN** T&S Europe line – Single hole, mixing temperature, deck mount faucets with swivel or rigid nozzle (Ø20mm). 60mm-long mounting shank, G½" male inlets also with couplers for copper pipes with 15mm outer diameter with check valves, ¼ turn ceramic cartridges with "Euro Lever" handles optional as Antimicrobial handles, brass, chrome-plated.
- ESP** Línea Europe de T&S: Grifos para montaje sobre cubierta de un solo orificio, mezcladores de temperatura con boquilla giratoria o rígida (Ø20 mm). Vástago de montaje de 60 mm de longitud, entradas macho G½", también con acopladores para tubos de cobre de 15 mm de diámetro exterior con válvulas de retención, cartuchos de cerámica de ¼ de vuelta con manerales "Euro Lever" opcionales como manerales antimicrobianos, de latón, cromados.
- GER** T&S Europe line – Einloch-Zweigriff-Armatur zur Auf Tischmontage, wahlweise mit schwenkbarem oder starrem Auslauf (Ø20mm). 60mm Montageschaft, G ½" AG und Kupplungen für 15mm Cu-Rohr Kramikartuschen mit ¼ Drehung mit "Euro Lever" Griffen, wahlweise mit Anti-Mikrobieller-Beschichtung, Messing, glanzverchromt.
- FR** Ligne T&S Europe - Robinets mélangeurs mototrou à montage sur le plan de travail avec buse pivotante ou fixe (Ø20mm). Tige de montage de 60 mm de long, entrées mâles G½ po. également avec coupleurs pour tuyaux en cuivre de 15 mm de diamètre extérieur avec clapets anti-retour, cartouches céramiques ¼ de tour avec poignées « Euro Lever » en option comme poignées antimicrobiennes, laiton chromé.
- ITA** Linea T&S Europe - Rubinetti monoforo miscelatore da banco con canna orientabile o fissa (20 mm). Gambo di fissaggio L. 60 mm filettato Supporto di montaggio lunghezza 60 mm, flessibili di raccordo maschio G½" oppure tubetti di alimentazione in rame diam. 15mm con valvole di ritegno. Vitoni ceramici con apertura ¼ di giro con maniglie "Euro Lever", rivestimento antimicrobico opzionale, in ottone cromato.

Model Number	Picture	Inlet Type (D)	Installation / Mounting Hole Ø	Clearance (C)	Nozzle Height (H)	Nozzle Length (L)	Flow Rate	Cartridge	Stocking Article in Europe
EU-2DF00	—			N/A	N/A	No nozzle	N/A		✓
EU-2DF03*				209 mm	222 mm	72 mm	Full flow 20 L/min	Ceramic	✗
EU-2DF05*				225 mm	279 mm	140 mm			✗
EU-2DF06*				123 mm	103 mm	156 mm			✗
EU-2DF08*				137 mm	117 mm	206 mm			✗
EU-2DF10*				151 mm	131 mm	257 mm			✗
EU-2DF12				164 mm	144 mm	308 mm			✓
EU-2DF14*				178 mm	158 mm	359 mm			✗
EU-2DF16*				191 mm	171 mm	410 mm			✗
EU-2DF18				205 mm	185 mm	460 mm			✓
EU-2DF18DJ*				188 mm	185 mm	454 mm			✗

* Available by request

Spare Parts and Accessories

Model	Description
E-HDL-L	European Lever Handle Kit w/ Color Coded Screws
E-HDL-L-AM	Anti-Microbial Coated Euro Lever Handle w/ Color Coded Screws
E-HDL-W-AM	Anti-Microbial Coated Euro Wrist Action Handle w/ Color Coded Screws
013788-45	equip Quarter-Turn Ceramic Cartridge, LTC (Blue)



EU-6DF Series

- EN** T&S Europe line – Double hole (155mm distance), mixing temperature, deck mount faucets with swivel or rigid nozzle (Ø20mm). 60mm-long mounting shank, ½" BSP male inlet with which is compatible with G½" with check valves, ¼ turn ceramic cartridges with "Euro Lever" handles optional as Antimicrobial handles, brass, chrome-plated.
- ESP** Línea Europe de T&S: Grifos para montaje sobre cubierta, de orificio doble (155 mm de separación), mezcladores de temperatura, con boquilla giratoria o rígida (Ø20 mm). Vástago de montaje de 60 mm de longitud, entrada macho BSP de ½" compatible con G½" con válvulas de retención, cartuchos de cerámica de ¼ de vuelta con manerales "Euro Lever" opcionales como manerales antimicrobianos, de latón, cromados.
- GER** T&S Europe line – Zweiloch-Zweigriff-Armatur zur Aufschmontage, wahlweise mit schwenkbarem oder starrem Auslauf (Ø20mm). 60mm Montageschaft, ½" BSP AG, welcher mit G½" IG kompatibel ist, mit Rückflussverhinderern. Keramikartuschen mit ¼ Drehung mit "Euro Lever" Griffen, wahlweise mit Anti-Mikrobieller-Beschichtung, Messing, glanzverchromt.
- FR** Ligne T&S Europe - Robinets mélangeurs à deux trous (écartement de 155 mm) à montage sur le plan de travail avec buse pivotante ou fixe (Ø20mm). Tige de montage de 60 mm de long, entrée mâle ½ po. BSP compatible avec G½ po. avec adaptateur de clapet anti-retour, cartouches céramiques ¼ de tour avec poignée « Euro Lever » en option comme poignée antimicrobienne, laiton chromé.
- ITA** Linea T&S Europe – Rubinetto biforo miscelatore da banco (interasse 155 mm) con canna orientabile o fissa (20 mm). Gambo di fissaggio L. 60 mm filettato maschio ½" BSP compatibile con femmina G½", con valvola di ritegno. Vitoni ceramici con apertura ¼ di giro con maniglia "Euro Lever", rivestimento antimicrobico opzionale, in ottone cromato.

Model Number	Picture	Inlet Type (D)	Installation / Mounting Hole Ø	Clearance (C)	Nozzle Height (H)	Nozzle Length (L)	Flow Rate	Cartridge	Stocking Article in Europe
EU-6DF00	-	½-14 BSPT male thread shank	2x 25 mm, ca. 152 mm apart	N/A		No nozzle	N/A	Ceramic	✓
EU-6DF03*				202 mm	222 mm	72 mm	Full flow 20 L/min		✗
EU-6DF05*				218 mm	279 mm	140 mm			✗
EU-6DF06*				116 mm	103 mm	156 mm			✗
EU-6DF08*				130 mm	117 mm	206 mm			✗
EU-6DF10*				144 mm	131 mm	257 mm			✗
EU-6DF12				156 mm	144 mm	308 mm			✓
EU-6DF14*				171 mm	158 mm	359 mm			✗
EU-6DF16*				183 mm	171 mm	410 mm			✗
EU-6DF18*				198 mm	185 mm	460 mm			✗
EU-6DF18DJ*		174 mm	185 mm	454 mm	✗				

* Available by request

Spare Parts and Accessories

Model	Description
E-HDL-L	European Lever Handle Kit w/ Color Coded Screws
E-HDL-L-AM	Anti-Microbial Coated Euro Lever Handle w/ Color Coded Screws
E-HDL-W-AM	Anti-Microbial Coated Euro Wrist Action Handle w/ Color Coded Screws
013788-45	equip Quarter-Turn Ceramic Cartridge, LTC (Blue)



EU-6WF12

EU-6WF Series

- EN** T&S Europe line – Double hole (155mm distance), mixing temperature, wall mount faucets with swivel or rigid nozzle (Ø20mm). G½" male inlets with check valves, ¼ turn ceramic cartridges with "Euro Lever" handles optional as Antimicrobial handles, brass, chrome-plated.
- ESP** Línea Europe de T&S: Grifos para montaje en pared, de orificio doble (155 mm de separación), mezcladores de temperatura, con boquilla giratoria o rígida (Ø20 mm). Entradas macho G½" con válvulas de retención, cartuchos de cerámica de ¼ de vuelta con manerales "Euro Lever" opcionales como manerales antimicrobianos, de latón, cromados.
- GER** T&S Europe line – Zweigriff-Armatur zur Wandmontage (155mm), wahlweise mit schwenkbarem oder starrem Auslauf (Ø20mm). G½" AG mit Rückflussverhinderern. Keramikartuschen mit ¼ Drehung mit "Euro Lever" Griffen, wahlweise mit Anti-Mikrobieller-Beschichtung, Messing, glanzverchromt.
- FR** Ligne T&S Europe - Robinets mélangeurs à deux trous (écartement de 155 mm) à montage mural avec buse pivotante ou fixe (Ø20mm). Entrées mâles G½ po. avec clapets anti-retour, cartouches céramiques ¼ de tour avec poignées « Euro Lever » en option comme poignées antimicrobiennes, laiton chromé.
- ITA** Linea T&S Europe - Rubinetto biforo miscelatore a parete (interasse 155 mm) con canna orientabile o fissa (20 mm). Raccordi eccentrici maschio G½" con valvole di ritegno. Vitoni ceramici con apertura ¼ di giro con maniglia "Euro Lever", rivestimento antimicrobico opzionale, in ottone cromato.

Model Number	Picture	Inlet Type (D)	Installation / Mounting Hole Ø	Clearance (C)	Nozzle Length (L)	Flow Rate	Cartridge	Stocking Article in Europe
EU-6WF00	—	G½" male offset inlets	Wall mount, 2 x 25 mm mounting holes, ca. 152 mm apart	N/A	No nozzle	N/A	Ceramic	✓
EU-6WF03*				222 mm	72 mm	Full flow 20 L/min		✗
EU-6WF05*				279 mm	140 mm			✗
EU-6WF06*				103 mm	156 mm			✗
EU-6WF08*				117 mm	206 mm			✗
EU-6WF10*				131 mm	257 mm			✗
EU-6WF12				144 mm	308 mm			✓
EU-6WF14*				158 mm	359 mm			✗
EU-6WF16*				171 mm	410 mm			✗
EU-6WF18*				185 mm	460 mm			✗
EU-6WF18DJ*		185 mm	454 mm	✗				

* Available by request

Spare Parts and Accessories

Model	Description
E-HDL-L	European Lever Handle Kit w/ Color Coded Screws
E-HDL-L-AM	Anti-Microbial Coated Euro Lever Handle w/ Color Coded Screws
E-HDL-W-AM	Anti-Microbial Coated Euro Wrist Action Handle w/ Color Coded Screws
013788-45	equip Quarter-Turn Ceramic Cartridge, LTC (Blue)



European Sensor Faucets Overview



BEST



BETTER



GOOD

ChekPoint™ European Sensor Faucets

- High-quality, highly reliable sensor faucets with vandal-resistant aerator and low-flow options
- Programmable – flow time / activating distance
- Autoflush function to prevent stagnation of water
- Models for above and below deck electronics available
- AC/DC, battery, EC-HARDWIRE, or EC-HYDROGEN optional power supply
- EC-HYDROGEN units harness the energy from the water flowing through faucet to store energy to power the sensor faucet
- Standard inlets for EC are 3/8" and for the EU and UK models G 1/2" or G 3/8"
- Serviceable filter screens
- Manual mixing valve (standard), thermostatic mixing valve (optional)

Equip European Sensor Faucets

- High-quality, high reliable sensor faucets with vandal-resistant aerator and low-flow options
- Below deck electronics
- AC/DC, battery, or EC-HYDROGEN optional power supply
- EC-HYDROGEN units harness the energy from the water flowing through faucet to store energy to power the sensor faucet
- Standard inlets for EC are 3/8" and for the EU and UK models G 1/2" or G 3/8"
- Serviceable filter screens
- Manual mixing valve (standard), thermostatic mixing valve (optional)

CEF European Sensor Faucets

- Reliable sensor faucets with vandal-resistant aerators for price-sensitive customers with low-flow options
- Below deck electronics
- AC/DC with CE power supply, or battery operated
- Prepared for G 1/2" water supply valves
- Serviceable filter screens
- Manual mixing valve



EC-HYDROGEN

EC-HYDROGEN units harness the energy from the water flowing through faucet to store energy to power the sensor faucet. For use with flow rates greater than 4 L/min.



EC-HYDROGEN-LF

EC-HYDROGEN-LF Low-flow hydro-generator for use with flow rates from 2-4 L/min.

OPTIONS	ChekPoint EU	Equip EU	CEF-EU
Mount Options			
Deck Mount Options	✓	✓	✓
Wall Mount Options		✓	
Body Options			
Single Hole	✓	✓	✓
4-Inch Center Options (2-hole)			
4-Inch Centerset (3-hole)		✓	
Single Temperature			
Nozzle Options			
4 in (101.6 mm)			
6 in (152.4 mm)			
7 in (177.8 mm)			
8 in (203.2 mm)			
Cast Spout	✓	✓	✓
Gooseneck	✓	✓	✓
Less Nozzle			
Rigid	✓	✓	
Swivel / Rigid with Lock Washer		✓	✓
Surgical Bend			
Nozzle Outlet Options			
Aerator		✓	✓
Flow Regulator			
Laminar Flow Device			
Non-Aerated Spray Device	✓	✓	✓
Plain End			
Vandal Resistant	✓	✓	✓
Vandal-Resistant Key Options			
VR Key automatically included	✓	✓	✓
Aerator Options			
0.50 GPM (1.89 L/min)	✓	✓	✓
1.00 GPM (3.79 L/min)			
1.20 GPM (4.54 L/min)			
1.50 GPM (5.68 L/min)			
2.20 GPM (8.33 L/min)		✓	✓
Mixing Valve Options			
Mechanical Mixing Valve Options			
No Mixing Valve		✓	
Below-Deck Mixing Valve	✓	✓	✓
Side-Mount	✓		
Thermostatic Mixing Valve Options			
Side-Mount			
Above-Deck Mixing Valve			
Below-Deck Mixing Valve			

OPTIONS	ChekPoint EU	Equip EU	CEF-EU
Power Options			
Above-Deck Electronics	✓		
Below-Deck Electronics	✓	✓	✓
EC-HYDROGEN	✓	✓	
EC-HYDROGEN-LF	✓	✓	
Batteries	✓	✓	✓
EC-EasyWire			
EC-Hardwire	✓		
AC/DC Power	✓	✓	✓
Special Feature Options			
4 in (101.6 mm) C/C Deckplate			
8 in (203.2 mm) C/C Deckplate			
Check Valve	✓	✓	
Auto-Flush	✓		
Water-resistant control module	✓	✓	
Adjustable water shut-off delay	✓		
Adjustable sensor range	✓	✓	
Adjustable automatic time-out	✓		
Low battery indicator LED light	✓	✓	
Filtered solenoid valve with serviceable strainer	✓	✓	✓
Pre-assembled with mounting hardware and tee wrench installation tool included (with deck mount models)	✓	✓	✓
No sealant required	✓	✓	✓
Secure water-resistant sensor connector	✓	✓	✓
All-stainless steel braided hoses	✓	✓	✓
Chrome-plated brass	✓	✓	✓
Certifications			
ASME A112.18.1 / CSA B125.1	✓	✓	
BAA/ARRA			
NSF/ANSI 372 (Lead Content)	✓	✓	
NSF/ANSI 61	✓	✓	
UL 1951	✓	✓	
EPA WaterSense			
ADA-compliant	✓	✓	
Replacement Parts Available			
	✓	✓	

Note: Not all of the above options are available to all models in the product line. This chart depicts options of each line in general; differences between various model options and lines exist.



Spare Parts and Accessories

Model	Description
015425-45	Vandal Resistant Key
B-0199-28	2.2 GPM VR Laminar Flow Device
B-0199-08-N05	VR 0.5 GPM Non-Aerated Spray Device, 13/16-27 UN Male w/ Key
019082-45	Lever Arm & Body Screw Kit w/ L-Key
019088-45	Auxiliary Power Connector Cable
018544-45	SS Flex Hose
019086-45	Body Plug, Pre-Set Temperature
018543-45	Torx T-20 VR L-Key
EC-HARDWIRE	ChekPoint Hardwire AC Transformer, 100-240VAC - 6.5VDC / 2000mA
EC-ADEWIRE	ChekPoint Power Connector Cable x 33' (10m) Long

EU-3142 Series

- EN** T&S Europe Chekpoint line – High quality and highly reliable sensor faucets with vandal-resistant aerators and low flow option with programmable – flow time, activating distance, autoflush function to prevent stagnation of water, equipped with particle filter and manual mixing valve for water temperature with check-valves. All models can be powered by one or more of the following options: T&S EC-Hydrogen power supply, batteries, AC/DC power supply. Supply hoses with G^{1/2}" female and adapters for G^{3/8}" female connection. Brass, chrome-plated.
- ESP** Línea Europe Chekpoint de T&S: Grifos con sensor de alta calidad y muy confiables con aireadores a prueba de vandalismo y opción de caudal bajo con tiempo de salida de agua, distancia de activación y función de descarga automática programables para evitar el estancamiento de agua, equipados con filtro de partículas y válvula mezcladora manual para la temperatura del agua con válvulas de retención. Todos los modelos pueden funcionar con una o más de las siguientes opciones: fuente de alimentación EC-Hydrogen de T&S, baterías, suministro de energía de CA/CD. Mangueras de suministro con G^{1/2}" hembra y adaptadores para conexión G^{3/8}" hembra. De latón, cromadas.
- GER** T&S Europe Chekpoint line - High Quality-Sensor-Waschtischarmatur mit Vandalismus geschütztem Strahlregler und Low-Flow-Option. Programmierbare Einstellungen - Laufzeit, Aktivierungsabstand, Freispülung zur Vermeidung von Stagnationswasser. Ausgestattet mit Partikelfilter und manuellem Regelventil für die Wassertemperatur mit Rückflussverhinderern. Alle Modelle können in Kombination oder einzeln mit dem T&S EC-Hydrogenerator, Batterien oder CE-Zertifiziertem Steckernetzteil betrieben werden. Anschlussschläuche mit G^{1/2}" IG oder G^{3/8}" IG Adapter (beiliegend). Messing, glanzverchromt.
- FR** Ligne Chekpoint T&S Europe - Robinets à capteur de haute qualité et très fiables avec aérateurs anti-vandalisme et option de faible débit avec durée d'écoulement, distance d'activation programmables, fonction de rinçage automatique pour éviter la stagnation de l'eau, équipés d'un filtre à particules et d'un mélangeur manuel pour la température de l'eau avec clapets anti-retour. Tous les modèles peuvent être alimentés par une ou plusieurs des options suivantes : T&S EC - Alimentation en hydrogène, batteries, alimentation CA/CC. Flexibles d'alimentation avec G^{1/2} po. femelle et adaptateurs pour connexion G^{3/8} po. femelle. En laiton chromé.
- ITA** Linea T&S Europe Chekpoint - Rubinetti a sensore di alta qualità con aeratori antivandalo e opzione a bassa portata. Impostazioni programmabili - tempo di erogazione, distanza di attivazione, funzione di risciacquo automatico per evitare il ristagno dell'acqua. Dotati di filtro antiparticolato e levetta manuale per la miscelazione dell'acqua, con valvole di ritegno. Tutti i modelli possono essere alimentati nei seguenti modi, singolarmente o in combinazione tra loro: Alimentatore T&S EC-Hydrogenerator, batterie, presa di corrente certificata CE. Flessibili di alimentazione con raccordo femmina G^{1/2}" oppure femmina G^{3/8}" (adattatore incluso). Ottone cromato.



Spare Parts and Accessories

Model	Description
015425-45	Vandal Resistant Key
B-0199-28	2.2 GPM VR Laminar Flow Device
B-0199-08-N05	VR 0.5 GPM Non-Aerated Spray Device, 13/16-27 UN Male w/ Key
019082-45	Lever Arm & Body Screw Kit w/ L-Key
019088-45	Auxiliary Power Connector Cable
018544-45	SS Flex Hose
019086-45	Body Plug, Pre-Set Temperature
018543-45	Torx T-20 VR L-Key
EC-HARDWIRE	ChekPoint Hardwire AC Transformer, 100-240VAC - 6.5VDC / 2000mA
EC-ADEWIRE	ChekPoint Power Connector Cable x 33' (10m) Long

EU-3132 Series

- EN** T&S Europe Chekpoint line - High quality and highly reliable sensor faucets with vandal-resistant aerators and low flow option with programmable – flow time, activating distance, autoflush function to prevent stagnation of water, equipped with particle filter and manual mixing valve for water temperature with check-valves. All models can be powered by one or more of the following options: T&S EC-Hydrogen power supply, batteries, AC/DC power supply. Supply hoses with G^{1/2}" female and adapters for G^{3/8}" female connection. Brass, chrome-plated.
- ESP** Línea Europe Chekpoint de T&S: Grifos con sensor de alta calidad y muy confiables con aireadores a prueba de vandalismo y opción de caudal bajo con tiempo de salida de agua, distancia de activación y función de descarga automática programables para evitar el estancamiento de agua, equipados con filtro de partículas y válvula mezcladora manual para la temperatura del agua con válvulas de retención. Todos los modelos pueden funcionar con una o más de las siguientes opciones: fuente de alimentación EC-Hydrogen de T&S, baterías, suministro de energía de CA/CD. Mangueras de suministro con G^{1/2}" hembra y adaptadores para conexión G^{3/8}" hembra. De latón, cromadas.
- GER** T&S Europe Chekpoint line - High Quality-Sensor-Waschtischarmatur mit Vandalismus geschütztem Strahlregler und Low-Flow-Option. Programmierbare Einstellungen - Laufzeit, Aktivierungsabstand, Freispülung zur Vermeidung von Stagnationswasser. Ausgestattet mit Partikelfilter und manuellem Regelventil für die Wassertemperatur mit Rückflussverhinderern. Alle Modelle können in Kombination oder einzeln mit dem T&S EC-Hydrogenerator, Batterien oder CE-Zertifiziertem Steckernetzteil betrieben werden. Anschlussschläuche mit G^{1/2}" IG oder G^{3/8}" IG Adapter (beiliegend). Messing, glanzverchromt.
- FR** Ligne Chekpoint T&S Europe - Robinets à capteur de haute qualité et très fiables avec aérateurs anti-vandalisme et option de faible débit avec durée d'écoulement, distance d'activation programmables, fonction de rinçage automatique pour éviter la stagnation de l'eau, équipés d'un filtre à particules et d'un mélangeur manuel pour la température de l'eau avec clapets anti-retour. Tous les modèles peuvent être alimentés par une ou plusieurs des options suivantes : T&S EC - Alimentation en hydrogène, batteries, alimentation CA/CC. Flexibles d'alimentation avec G^{1/2} po. femelle et adaptateurs pour connexion G^{3/8} po. femelle. En laiton chromé.
- ITA** Linea T&S Europe Chekpoint - Rubinetti a sensore di alta qualità con aeratori antivandalo e opzione a bassa portata. Impostazioni programmabili - tempo di erogazione, distanza di attivazione, funzione di risciacquo automatico per evitare il ristagno dell'acqua. Dotati di filtro antiparticolato e levetta manuale per la miscelazione dell'acqua, con valvole di ritegno. Tutti i modelli possono essere alimentati nei seguenti modi, singolarmente o in combinazione tra loro: Alimentatore T&S EC-Hydrogenerator, batterie, presa di corrente certificata CE. Flessibili di alimentazione con raccordo femmina G^{1/2}" oppure femmina G^{3/8}" (adattatore incluso). Ottone cromato.

Model Number	Inlet Type (D)	Installation / Mounting Hole Ø	Clearance (C)	Flow Rate	Includes EC-HYDROGEN-LF (2-4 L/min)	Includes EC-HYDROGEN (>4 L/min)	Electronic Installation	Stocking Article in Europe	
EU-3142-VF05	G ^{1/2} " female or G ^{3/8} " female with included adapters	Deck mount, 32 mm	128 mm	1.9 L/min	×	×	Above deck (in faucet body)	✓	
EU-3142-VF05-HG					✓	×		×	
EU-3142*				×	×	8.3 L/min		×	×
EU-3142-HG*				×	✓			×	

* Available by request

Model Number	Inlet Type (D)	Installation / Mounting Hole Ø	Clearance (C)	Flow Rate	Includes EC-HYDROGEN-LF (2-4 L/min)	Includes EC-HYDROGEN (>4 L/min)	Electronic Installation	Stocking Article in Europe	
EU-3132-VF05	G ^{1/2} " female or G ^{3/8} " female with included adapters	Deck mount, 32 mm	169 mm	1.9 L/min	×	×	Above deck (in faucet body)	✓	
EU-3132-VF05-HG					✓	×		×	
EU-3132*				×	×	8.3 L/min		×	×
EU-3132-HG*				×	✓			×	

* Available by request



Spare Parts and Accessories

Model	Description
006575-45	015 O-Ring
B-0199-06-N05	VR 0.5 GPM Non-Aerated Spray Device, 55/64-27 UN Female w/ Key
015425-45	Vandal Resistant Key
017195-45	Angled Sensor w/ Cable
016297-45	Inlet Hose, Faucet, 1/2" NPSM Female x 1/4" NPSM Female
016647-45	ChekPoint Module (Grey)
5EF-0011	A/C Transformer (EU)
5EF-0006	Mechanical Mixing Valve
016167-45	Supply Hose, 1/2" NPSM Female x 1/2" NPSM Female
020498-25	Hex Bushing, G 3/8" Female x 1/2" NPSM Male w/ Sealing Washer
EC-FILTER	Replacement Filter
EC-HARDWIRE	ChekPoint Hardwire AC Transformer, 100-240VAC - 6.5VDC / 2000mA

EU-3100 Series

- EN** T&S Europe Chekpoint line - High quality and highly reliable sensor faucets with vandal-resistant aerators and low flow option with programmable - flow time, activating distance, autoflush function to prevent stagnation of water, equipped with particle filter and manual mixing valve for water temperature with check-valves. All models can be powered by one or more of the following options: T&S EC-Hydrogen power supply, batteries, AC/DC power supply. Supply hoses with G1/2" female and adapters for G3/8" female connection. Brass, chrome-plated.
- ESP** Línea Europe Chekpoint de T&S: Grifos con sensor de alta calidad y muy confiables con aireadores a prueba de vandalismo y opción de caudal bajo con tiempo de salida de agua, distancia de activación y función de descarga automática programables para evitar el estancamiento de agua, equipados con filtro de partículas y válvula mezcladora manual para la temperatura del agua con válvulas de retención. Todos los modelos pueden funcionar con una o más de las siguientes opciones: fuente de alimentación EC-Hydrogen de T&S, baterías, suministro de energía de CA/CD. Mangueras de suministro con G1/2" hembra y adaptadores para conexión G3/8" hembra. De latón, cromadas.
- GER** T&S Europe Chekpoint line - High Quality-Sensor-Waschtischarmatur mit Vandalismus geschütztem Strahlregler und Low-Flow-Option. Programmierbare Einstellungen - Laufzeit, Aktivierungsabstand, Freispülung zur Vermeidung von Stagnationswasser. Ausgestattet mit Partikelfilter und manuellem Regelventil für die Wassertemperatur mit Rückflussverhinderern. Alle Modelle können in Kombination oder einzeln mit dem T&S EC-Hydrogenerator, Batterien oder CE-Zertifiziertem Steckernetzteil betrieben werden. Anschlussschläuche mit G1/2" IG oder G3/8" IG Adapter (beiliegend). Messing, glanzverchromt.
- FR** Ligne Chekpoint T&S Europe - Robinets à capteur de haute qualité et très fiables avec aérateurs anti-vandalisme et option de faible débit avec durée d'écoulement, distance d'activation programmables, fonction de rinçage automatique pour éviter la stagnation de l'eau, équipés d'un filtre à particules et d'un mélangeur manuel pour la température de l'eau avec clapets anti-retour. Tous les modèles peuvent être alimentés par une ou plusieurs des options suivantes : T&S CE-Alimentation en hydrogène, batteries, alimentation CA/CC. Flexibles d'alimentation avec G1/2 po. femelle et adaptateurs pour connexion G3/8 po. femelle. En laiton chromé.
- ITA** Linea T&S Europe Chekpoint - Rubinetti a sensore di alta qualità con aeratori antivandalo e opzione a bassa portata. Impostazioni programmabili - tempo di erogazione, distanza di attivazione, funzione di risciacquo automatico per evitare il ristagno dell'acqua. Dotati di filtro antiparticolato e levetta manuale per la miscelazione dell'acqua, con valvole di ritegno. Tutti i modelli possono essere alimentati nei seguenti modi, singolarmente o in combinazione tra loro: Alimentatore T&S EC-Hydrogenerator, batterie, presa di corrente certificata CE. Flessibili di alimentazione con raccordo femmina G1/2" oppure femmina G3/8" (adattatore incluso). Ottone cromato.



Model Number	Inlet Type (D)	Installation / Mounting Hole Ø	Clearance (C)	Flow Rate	Includes EC-HYDROGEN-LF (2-4 L/min)	Includes EC-HYDROGEN (>4 L/min)	Electronic Installation	Stocking Article in Europe
EU-3100-VF05	G1/2" female or G3/8" female with included adapters	Deck mount, 25 mm	178 mm	1.9 L/min	✗	✗	Below deck	✓
EU-3100-VF05-HG				1.9 L/min	✓	✗		✗
EU-3100*				8.3 L/min	✗	✗		✗
EU-3100-HG*				8.3 L/min	✗	✓		✗

* Available by request



Spare Parts and Accessories

Model	Description
015425-45	Vandal Resistant Key
B-0199-09-N05	VR 0.5 GPM Non-Aerated Spray Device, 15/16-27 UN Male w/ Key
5EF-0004	24" Sensor Cable
016297-45	Inlet Hose, Faucet, 1/2" NPSM Female x 1/4" NPSM Female
5EF-0001	equip Sensor Faucet - Control Module
5EF-0011	EU Transformer, 100-240 VAC
016167-45	Supply Hose, 1/2" NPSM Female x 1/2" NPSM Female
5EF-0006	Mechanical Mixing Valve
5EF-FILTER	Replacement Filter
020498-25	Hex Bushing, G 3/8" Female x 1/2" NPSM Male w/Sealing Washer
B-0199-09	VR 2.2 GPM Aerator, 15/16-27 Male w/ Key
EC-FILTER	Replacement Filter

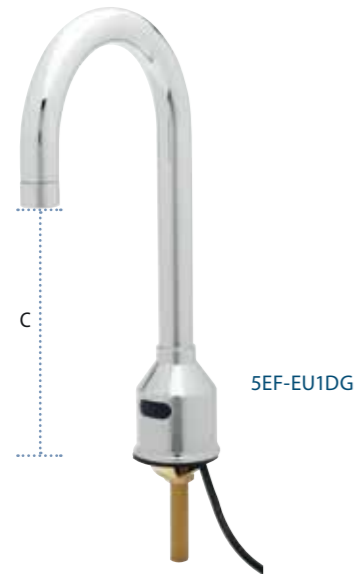
5EF-EU1DS Series

- EN** T&S Europe Equip line - Highly reliable sensor faucets with vandal-resistant aerators and low-flow options with programmable - flow time, activating distance, equipped with particle filter and manual mixing valve for water temperature with check valves. All models can be powered by one or more of the following: T&S EC-Hydrogen power supply, batteries, AC/DC power supply. Supply hoses with G1/2" female and adapters for G3/8" female connection. Brass, chrome-plated.
- ESP** Línea Europe Equip de T&S: Grifos con sensor muy confiables con aireadores a prueba de vandalismo y opciones de caudal bajo con tiempo de salida de agua y distancia de activación programables, equipados con filtro de partículas y válvula mezcladora manual para la temperatura del agua con válvulas de retención. Todos los modelos pueden funcionar con una o más de las siguientes opciones: fuente de alimentación EC-Hydrogen de T&S, baterías, suministro de energía de CA/CD. Mangueras de suministro con G1/2" hembra y adaptadores para conexión G3/8" hembra. De latón, cromadas.
- GER** T&S Europe Equip line - Qualitäts-Sensor-Waschtischarmatur mit Vandalismus geschütztem Strahlregler und Low-Flow-Option. Programmierbare Einstellungen - Laufzeit, Aktivierungsabstand. Ausgestattet mit Partikelfilter und manuellem Regelventil für die Wassertemperatur mit Rückflussverhinderern. Alle Modelle können in Kombination oder einzeln mit dem T&S EC-Hydrogenerator, Batterien oder CE-Zertifiziertem Steckernetzteil betrieben werden. Anschlussschläuche mit G1/2" IG oder G3/8" IG Adapter (beiliegend). Messing, glanzverchromt.
- FR** Ligne Equip T&S Europe - Robinets à capteur très fiables avec aérateurs anti-vandalisme et option de faible débit avec durée d'écoulement, distance d'activation programmables, équipés d'un filtre à particules et d'un mélangeur manuel pour la température de l'eau avec clapets anti-retour. Tous les modèles peuvent être alimentés par une ou plusieurs des options suivantes : T&S CE-Alimentation en hydrogène, batteries, alimentation CA/CC. Flexibles d'alimentation avec G1/2 po. femelle et adaptateurs pour connexion G3/8 po. femelle. En laiton chromé.
- ITA** Linea T&S Europe Equip - Rubinetti a fotocellula di qualità con aeratori antivandalo e opzione a bassa portata. Impostazioni programmabili - tempo di erogazione, distanza di attivazione. Dotati di filtro antiparticolato e levetta manuale per la miscelazione dell'acqua, con valvole di ritegno. Tutti i modelli possono essere alimentati nei seguenti modi, singolarmente o in combinazione tra loro: Alimentatore T&S EC-Hydrogenerator, batterie, presa di corrente certificata CE. Flessibili di alimentazione con raccordo femmina G1/2" oppure femmina G3/8" (adattatore incluso). Ottone cromato.



Model Number	Inlet Type (D)	Installation / Mounting Hole Ø	Clearance (C)	Flow Rate	Includes EC-HYDROGEN-LF (2-4 L/min)	Includes EC-HYDROGEN (>4 L/min)	Electronic Installation	Stocking Article in Europe
5EF-EU1DS-VF05	G1/2" female or G3/8" female with included adapters	Electronics below deck, deck mount, 32 mm	93 mm	1.9 L/min	✗	✗	Below deck	✓
5EF-EU1DS-VF05-HG				8.3 L/min	✓	✗		✗
5EF-EU1DS-C				1.9 L/min	✗	✗		✗
5EF-EU1DS-HG*				8.3 L/min	✗	✓		✗

* Available by request



Spare Parts and Accessories

Model	Description
015425-45	Vandal Resistant Key
B-0199-06-N05	VR 0.5 GPM Non-Aerated Spray Device, 55/64-27 UN Female w/ Key
5EF-0004	24" Sensor Cable
016297-45	Inlet Hose, Faucet, 1/2" NPSM Female x 1/4" NPSM Female
5EF-0001	equip Sensor Faucet - Control Module
5EF-0011	EU-Transformer, 100-240 VAC
016167-45	Supply Hose, 1/2" NPSM Female x 1/2" NPSM Female
EC-FILTER	Replacement Filter
020498-25	G 3/8" Female x 1/2" NPSM Male w/ asher
B-0199-06	VR 2.2 GPM Aerator, 55/64-27 UN Female w/ Key
5EF-FILTER	Replacement Filter
5EF-0006	Mechanical Mixing Valve
017506-45	1/2" NPSM Swivel Coupling
EC-HYDROGEN	HydroGenerator Power Supply

5EF-EU1DG Series

- EN** T&S Europe Equip line - Highly reliable sensor faucets with vandal-resistant aerators and low-flow options with programmable - flow time, activating distance, equipped with particle filter and manual mixing valve for water temperature with check valves. All models can be powered by one or more of the following: T&S EC-Hydrogen power supply, batteries, AC/DC power supply. Supply hoses with G^{3/8}" female and adapters for G^{3/8}" female connection. Brass, chrome-plated.
- ESP** Línea Europe Equip de T&S: Grifos con sensor muy confiables con aireadores a prueba de vandalismo y opciones de caudal bajo con tiempo de salida de agua y distancia de activación programables, equipados con filtro de partículas y válvula mezcladora manual para la temperatura del agua con válvulas de retención. Todos los modelos pueden funcionar con una o más de las siguientes opciones: fuente de alimentación EC-Hydrogen de T&S, baterías, suministro de energía de CA/CD. Mangueras de suministro con G^{3/8}" hembra y adaptadores para conexión G^{3/8}" hembra. De latón, cromadas.
- GER** T&S Europe Equip line - Qualitäts-Sensor-Waschtischarmatur mit Vandalismus geschütztem Strahlregler und Low-Flow-Option. Programmierbare Einstellungen - Laufzeit, Aktivierungsabstand. Ausgestattet mit Partikelfilter und manuellem Regelventil für die Wassertemperatur mit Rückflussverhinderern. Alle Modelle können in Kombination oder einzeln mit dem T&S EC-Hydrogenerator, Batterien oder CE-Zertifiziertem Steckernetzteil betrieben werden. Anschlussschläuche mit G^{3/8}" IG oder G^{3/8}" IG Adapter (beiliegend). Messing, glanzverchromt.
- FR** Ligne Equip T&S Europe - Robinets à capteur très fiables avec aérateurs anti-vandalisme et option de faible débit avec durée d'écoulement, distance d'activation programmables, équipés d'un filtre à particules et d'un mélangeur manuel pour la température de l'eau avec clapets anti-retour. Tous les modèles peuvent être alimentés par une ou plusieurs des options suivantes : T&S CE-Alimentation en hydrogène, batteries, alimentation CA/CC. Flexibles d'alimentation avec G^{3/8} po. femelle et adaptateurs pour connexion G^{3/8} po. femelle. En laiton chromé.
- ITA** Linea T&S Europe Equip - Rubinetti a fotocellula di qualità con aeratori antivandalo e opzione a bassa portata. Impostazioni programmabili - tempo di erogazione, distanza di attivazione. Dotati di filtro antiparticolato e levetta manuale per la miscelazione dell'acqua, con valvole di ritegno. Tutti i modelli possono essere alimentati nei seguenti modi, singolarmente o in combinazione tra loro: Alimentatore T&S EC-Hydro-generator, batterie, presa di corrente certificata CE. Flessibili di alimentazione con raccordo femmina G^{3/8}" oppure femmina G^{3/8}" (adattatore incluso). Ottone cromato.



Model Number	Inlet Type (D)	Installation / Mounting Hole Ø	Clearance (C)	Flow Rate	Includes EC-HYDROGEN-LF (2-4 L/min)	Includes EC-HYDROGEN (>4 L/min)	Electronic Installation	Stocking Article in Europe
5EF-EU1DG-VF05	G ^{3/8} " female or G ^{3/8} " female with included adapters	Electronics below deck, deck mount, 25 mm	191 mm	1.9 L/min	x	x	Below deck	✓
5EF-EU1DG-VF05-HG					✓	x		x
5EF-EU1DG-C				x	x	x		
5EF-EU1DG-HG				x	✓	x		
				8.3 L/min				

* Available by request



Spare Parts and Accessories

Model	Description
015425-45	Vandal Resistant Key
B-0199-09-N05	VR 0.5 GPM Non-Aerated Spray Device, 15/16-27 UN Male w/ Key
5EF-0003	24" Sensor Cable
016297-45	Inlet Hose, Faucet, 1/2" NPSM Female x 1/4" NPSM Female
5EF-0001	equip Sensor Faucet - Control Module
5EF-0011	EU Transformer, 100-240 VAC
016167-45	Supply Hose, 1/2" NPSM Female x 1/2" NPSM Female
EC-FILTER	Replacement Filter
020498-25	Hex Bushing, G 3/8" Female x 1/2" NPSM Male w/ Sealing Washer
B-0199-09	VR 2.2 GPM Aerator, 15/16-27 Male w/ Key
5EF-0006	Mechanical Mixing Valve

5EF-EU4DS Series

- EN** T&S Europe Equip line - Highly reliable sensor faucets with vandal-resistant aerators and low-flow options with programmable - flow time, activating distance, equipped with particle filter and manual mixing valve for water temperature with check valves. All models can be powered by one or more of the following: T&S EC-Hydrogen power supply, batteries, AC/DC power supply. Supply hoses with G^{3/8}" female and adapters for G^{3/8}" female connection. Brass, chrome-plated.
- ESP** Línea Europe Equip de T&S: Grifos con sensor muy confiables con aireadores a prueba de vandalismo y opciones de caudal bajo con tiempo de salida de agua y distancia de activación programables, equipados con filtro de partículas y válvula mezcladora manual para la temperatura del agua con válvulas de retención. Todos los modelos pueden funcionar con una o más de las siguientes opciones: fuente de alimentación EC-Hydrogen de T&S, baterías, suministro de energía de CA/CD. Mangueras de suministro con G^{3/8}" hembra y adaptadores para conexión G^{3/8}" hembra. De latón, cromadas.
- GER** T&S Europe Equip line - Qualitäts-Sensor-Waschtischarmatur mit Vandalismus geschütztem Strahlregler und Low-Flow-Option. Programmierbare Einstellungen - Laufzeit, Aktivierungsabstand. Ausgestattet mit Partikelfilter und manuellem Regelventil für die Wassertemperatur mit Rückflussverhinderern. Alle Modelle können in Kombination oder einzeln mit dem T&S EC-Hydrogenerator, Batterien oder CE-Zertifiziertem Steckernetzteil betrieben werden. Anschlussschläuche mit G^{3/8}" IG oder G^{3/8}" IG Adapter (beiliegend). Messing, glanzverchromt.
- FR** Ligne Equip T&S Europe - Robinets à capteur très fiables avec aérateurs anti-vandalisme et option de faible débit avec durée d'écoulement, distance d'activation programmables, équipés d'un filtre à particules et d'un mélangeur manuel pour la température de l'eau avec clapets anti-retour. Tous les modèles peuvent être alimentés par une ou plusieurs des options suivantes : T&S CE-Alimentation en hydrogène, batteries, alimentation CA/CC. Flexibles d'alimentation avec G^{3/8} po. femelle et adaptateurs pour connexion G^{3/8} po. femelle. En laiton chromé.
- ITA** Linea T&S Europe Equip - Rubinetti a fotocellula di qualità con aeratori antivandalo e opzione a bassa portata. Impostazioni programmabili - tempo di erogazione, distanza di attivazione. Dotati di filtro antiparticolato e levetta manuale per la miscelazione dell'acqua, con valvole di ritegno. Tutti i modelli possono essere alimentati nei seguenti modi, singolarmente o in combinazione tra loro: Alimentatore T&S EC-Hydro-generator, batterie, presa di corrente certificata CE. Flessibili di alimentazione con raccordo femmina G^{3/8}" oppure femmina G^{3/8}" (adattatore incluso). Ottone cromato.



Model Number	Inlet Type (D)	Installation / Mounting Hole Ø	Clearance (C)	Flow Rate	Includes EC-HYDROGEN-LF (2-4 L/min)	Includes EC-HYDROGEN (>4 L/min)	Electronic Installation	Stocking Article in Europe
5EF-EU4DS-VF05	G ^{3/8} " female or G ^{3/8} " female with included adapters	Electronics below deck, deck mount, 32 mm	180 mm	1.9 L/min	x	x	Below deck	✓
5EF-EU4DS-VF05-HG*					✓	x		x
5EF-EU4DS-C				x	x	x		
5EF-EU4DS-HG*				x	✓	x		
				8.3 L/min				

* Available by request



Spare Parts and Accessories

Model	Description
015425-45	Vandal Resistant Key
B-0199-06-N05	VR 0.5 GPM Non-Aerated Spray Device, 55/64-27 UN Female w/ Key
014200-45	Star Washer, Anti-Rotation
5EF-0003	24" Sensor Cable
016325-45	Inlet Hose, Faucet, 1/2" NPSM Female x 3/8" NPSM Female
5EF-0001	equip Sensor Faucet Control Module
5EF-0011	EU Transformer, 100-240 VAC
016167-45	Supply Hose, 1/2" NPSM Female x 1/2" NPSM Female
5EF-0006	Mechanical Mixing Valve
EC-FILTER	Replacement Filter
020498-25	G 3/8" Female x 1/2" NPSM Male w/ asher
B-0199-06	VR Aerator w/ Key
5EF-FILTER	Replacement Filter

5EF-EU1WG Series

- EN** T&S Europe Equip line - Highly reliable sensor faucets with vandal-resistant aerators and low-flow options with programmable - flow time, activating distance, equipped with particle filter and manual mixing valve for water temperature with check valves. All models can be powered by one or more of the following: T&S EC-Hydrogen power supply, batteries, AC/DC power supply. Supply hoses with G1/2" female and adapters for G3/8" female connection. Brass, chrome-plated.
- ESP** Línea Europe Equip de T&S: Grifos con sensor muy confiables con aireadores a prueba de vandalismo y opciones de caudal bajo con tiempo de salida de agua y distancia de activación programables, equipados con filtro de partículas y válvula mezcladora manual para la temperatura del agua con válvulas de retención. Todos los modelos pueden funcionar con una o más de las siguientes opciones: fuente de alimentación EC-Hydrogen de T&S, baterías, suministro de energía de CA/CD. Mangueras de suministro con G1/2" hembra y adaptadores para conexión G3/8" hembra. De latón, cromadas.
- GER** T&S Europe Equip line - Qualitäts-Sensor-Waschtischarmatur mit Vandalismus geschütztem Strahlregler und Low-Flow-Option. Programmierbare Einstellungen - Laufzeit, Aktivierungsabstand. Ausgestattet mit Partikelfilter und manuellem Regelventil für die Wassertemperatur mit Rückflussverhinderern. Alle Modelle können in Kombination oder einzeln mit dem T&S EC-Hydrogenerator, Batterien oder CE-Zertifiziertem Steckernetzteil betrieben werden. Anschlusschläuche mit G1/2" IG oder G3/8" IG Adapter (beiliegend). Messing, glanzverchromt.
- FR** Ligne Equip T&S Europe - Robinets à capteur très fiables avec aérateurs anti-vandalisme et option de faible débit avec durée d'écoulement, distance d'activation programmables, équipés d'un filtre à particules et d'un mélangeur manuel pour la température de l'eau avec clapets anti-retour. Tous les modèles peuvent être alimentés par une ou plusieurs des options suivantes : T&S CE-Alimentation en hydrogène, batteries, alimentation CA/CC. Flexibles d'alimentation avec G1/2 po. femelle et adaptateurs pour connexion G3/8 po. femelle. En laiton chromé.
- ITA** Linea T&S Europe Equip - Rubinetti a fotocellula di qualità con aeratori antivandalo e opzione a bassa portata. Impostazioni programmabili - tempo di erogazione, distanza di attivazione. Dotati di filtro antiparticolato e levetta manuale per la miscelazione dell'acqua, con valvole di ritegno. Tutti i modelli possono essere alimentati nei seguenti modi, singolarmente o in combinazione tra loro: Alimentatore T&S EC-Hydro-generator, batterie, presa di corrente certificata CE. Flessibili di alimentazione con raccordo femmina G1/2" oppure femmina G3/8" (adattatore incluso). Ottone cromato.



Model Number	Inlet Type (D)	Installation / Mounting Hole Ø	Clearance (C)	Flow Rate	Includes EC-HYDROGEN-LF (2-4 L/min)	Includes EC-HYDROGEN (>4 L/min)	Electronic Installation	Stocking Article in Europe	
5EF-EU1WG-VF05	G1/2" female or G3/8" female with included adapters	Electronics below deck, wall mount, 29 mm	N/A	1.9 L/min	×	×	Below deck	×	
5EF-EU1WG-VF05-HG*					✓	×		×	
5EF-EU1WG-C				×	×	8.3 L/min		×	×
5EF-EU1WG-HG*				×	✓			×	

* Available by request



Spare Parts and Accessories

Model	Description
EU-0199-M24-V05	VR 0.5 GPM Spray Device, M24x1 Male
020377-45	Sensor Cable
019920-45	Control Module
019921-45	Mechanical Temperature Mixing Valve
019922-45	Supply Hose, G 3/8" x G 1/2" Connections
020498-25	Hex Bushing, G 3/8" Female x 1/2" NPSM Male w/ Sealing Washer
019926-45	Flexible Connector Hose
019924-45EU	Plug-in AC Adapter w/ EU Plug
EU-0199-M24-V22	VR 2.2 GPM Aerator, M24x1 Male
015425-45	Vandal Resistant Key

CEF-EU1DS Series

- EN** T&S Europe CEF line - Reliable sensor faucets with vandal-resistant aerators and low-flow option. Equipped with particle filter and manual mixing valve for water temperature with check-valves. All models can be powered by one or more of the following: batteries, AC/DC power supply. Supply hoses with G1/2" female and adapters for G3/8" female connection. Brass, chrome-plated.
- ESP** Línea Europe CEF de T&S: Grifos con sensor confiables con aireadores a prueba de vandalismo y opción de caudal bajo. Equipados con filtro de partículas y válvula mezcladora manual para la temperatura del agua con válvulas de retención. Todos los modelos pueden funcionar con una o más de las siguientes opciones: baterías, suministro de energía de CA/CD. Mangueras de suministro con G1/2" hembra y adaptadores para conexión G3/8" hembra. De latón, cromadas.
- GER** T&S Europe CEF line - Sensor-Waschtischarmatur mit Vandalismus geschütztem Strahlregler und Low-Flow-Option. Ausgestattet mit Partikelfilter und manuellem Regelventil für die Wassertemperatur mit Rückflussverhinderern. Alle Modelle können in Kombination oder einzeln mit dem CE-Zertifiziertem Steckernetzteil oder Batterien betrieben werden. Anschlusschläuche mit G1/2" IG oder G3/8" IG Adapter (beiliegend). Messing, glanzverchromt.
- FR** Ligne CEF T&S Europe - Robinets à capteur fiables avec aérateurs anti-vandalisme et option de faible débit. Équipés d'un filtre à particules et d'un mélangeur manuel pour la température de l'eau avec clapets anti-retour. Tous les modèles peuvent être alimentés par une ou plusieurs des options suivantes : batteries, alimentation CA/CC. Flexibles d'alimentation avec G1/2 po. femelle et adaptateurs pour connexion G3/8 po. femelle. En laiton chromé.
- ITA** Linea T&S Europe CEF - Rubinetti a fotocellula con aeratori antivandalo e opzione a bassa portata. Dotati di filtro antiparticolato e levetta manuale per la miscelazione dell'acqua, con valvole di ritegno. Tutti i modelli possono essere alimentati con batteria o presa di corrente certificata CE, singolarmente o in combinazione tra loro. Flessibili di alimentazione con raccordo femmina G1/2" oppure femmina G3/8" (adattatore incluso). Ottone cromato.

Model Number	Inlet Type (D)	Installation / Mounting Hole Ø	Clearance (C)	Flow Rate	Includes EC-HYDROGEN -LF (2-4 L/min)	Includes EC-HYDROGEN (>4 L/min)	Electronic Installation	Stocking Article in Europe
CEF-EU1DS-VF05	G1/2" female or G3/8" female with included adapters	Electronics below deck, deck mount, 32mm	133 mm	1.9 L/min	N/A	N/A	Below deck	✓
CEF-EU1DS				8.3 L/min				✓



Spare Parts and Accessories

Model	Description
EU-0199-M22-V05	VR 0.5 GPM Spray Device, M22 x 1 Female
020377-45	Sensor Cable
019920-45	Control Module
019921-45	Mechanical Temperature Mixing Valve
019922-45	Supply Hose, G 3/8" x G 1/2" Connections
020498-25	Hex Bushing, G 3/8" Female x 1/2 NPSM Male w/ Sealing Washer
019926-45	Flexible Connector Hose
019924-45EU	Plug-in AC Adapter w/ EU Plug
015425-45	Vandal Resistant Key

CEF-EU1DG Series

- EN** T&S Europe CEF line - Reliable sensor faucets with vandal-resistant aerators and low-flow option. Equipped with particle filter and manual mixing valve for water temperature with check-valves. All models can be powered by one or more of the following: batteries, AC/DC power supply. Supply hoses with G 1/2" female and adapters for G 3/8" female connection. Brass, chrome-plated.
- ESP** Línea Europe CEF de T&S: Grifos con sensor confiables con aireadores a prueba de vandalismo y opción de caudal bajo. Equipados con filtro de partículas y válvula mezcladora manual para la temperatura del agua con válvulas de retención. Todos los modelos pueden funcionar con una o más de las siguientes opciones: baterías, suministro de energía de CA/CD. Mangueras de suministro con G 1/2" hembra y adaptadores para conexión G 3/8" hembra. De latón, cromadas.
- GER** T&S Europe CEF line - Sensor-Waschtischarmatur mit Vandalismus geschütztem Strahlregler und Low-Flow-Option. Ausgestattet mit Partikelfilter und manuellem Regelventil für die Wassertemperatur mit Rückflussverhinderern. Alle Modelle können in Kombination oder einzeln mit dem CE-Zertifiziertem Steckernetzteil oder Batterien betrieben werden. Anschlussschläuche mit G 1/2" IG oder G 3/8" IG Adapter (beiliegend). Messing, glanzverchromt.
- FR** Ligne CEF T&S Europe - Robinets à capteur fiables avec aérateurs anti-vandalisme et option de faible débit. Équipés d'un filtre à particules et d'un mélangeur manuel pour la température de l'eau avec clapets anti-retour. Tous les modèles peuvent être alimentés par une ou plusieurs des options suivantes : batteries, alimentation CA/CC. Flexibles d'alimentation avec G 1/2 po. femelle et adaptateurs pour connexion G 3/8 po. femelle. En laiton chromé.
- ITA** Linea T&S Europe CEF - Rubinetti a fotocellula con aeratori antivandalo e opzione a bassa portata. Dotati di filtro antiparticolato e levetta manuale per la miscelazione dell'acqua, con valvole di ritegno. Tutti i modelli possono essere alimentati con batteria o presa di corrente certificata CE, singolarmente o in combinazione tra loro. Flessibili di alimentazione con raccordo femmina G 1/2" oppure femmina G 3/8" (adattatore incluso). Ottone cromato.

Model Number	Inlet Type (D)	Installation / Mounting Hole Ø	Clearance (C)	Flow Rate	Includes EC-HYDROGEN -LF (2-4 L/min)	Includes EC-HYDROGEN (>4 L/min)	Electronic Installation	Stocking Article in Europe
☐ CEF-EU1DG-VF05	G 1/2" female or G 3/8" female	Electronics below deck, deck mount, 32mm	180 mm	1.9 L/min	N/A	N/A	Below deck	☑
☑☑☑ CEF-EU1DG	with included adapters			8.3 L/min				☑



HOSE REEL MODEL	PRODUCT IMAGE	LENGTH 1.27 cm (1/2")	OPEN / ENCLOSED MATERIAL	NOTES
EU-7133		10 m	Open Stainless Steel	• Quick-Disconnect • Spray gun not included; order separately
EU-7133-FG		10 m	Open Stainless Steel	• Food grade hose • Quick-Disconnect • Spray gun not included; order separately
EU-7143		15 m	Open Stainless Steel	• Quick-Disconnect • Spray gun not included; order separately
ESA-4L65-S		20 m	Open Stainless Steel	• Spray gun not included; order separately
ESA-4L82-S		25 m	Open Stainless Steel	• Spray gun not included; order separately
5R.M10.449		10 m	Enclosed Stainless Steel	• Includes Nito II Combi Spray gun
5R.M10.T449		10 m	Enclosed Stainless Steel	• NBR food grade hose • Includes Nito II Combi Spray gun
5R.M15.449		15 m	Enclosed Stainless Steel	• Includes Nito II Combi Spray gun
5R.M15.T449		15 m	Enclosed Stainless Steel	• NBR Food grade hose • Includes Nito II Combi Spray gun
5R.M20.449		20 m	Enclosed Stainless Steel	• Includes Nito II Combi Spray gun
5R.M20.T449		20 m	Enclosed Stainless Steel	• NBR Food grade hose • Includes Nito II Combi Spray gun



EU-7133 and EU-7133-FG

(Spray valve / water gun *not* included; must order separately)

Spare Parts and Accessories

Model	Description
014935-45	Large Stainless Steel Spring
014938-45	Roller Replacement Kit
014940-45	Ratchet Repair Kit
014947-45	½" [12.7mm] Swivel Repair Kit
015089-45	½" x 35' [12.7mm x 10.68m] Hose Replacement Kit
017888-45	1.5m Flexible Stainless Steel Supply Hose w/ ½" BSPP Female x ½" NPT Male
018399-45	½" NPT Chrome Plate Brass Quick Disconnect
019191-45K	Hose Reel Bracket Mounting Kit
019473-45	O-Ring Replacement Kit
019499-45	½" [12.7mm] Hose Stop Repair Kit
G019430-45	EasyInstall Stainless Steel Hose Reel Swing Bracket
019419-45	½" x 35' [12.7mm x 10.68m] Food Grade Hose Replacement Kit

EU-7133 Series ½" Stainless Steel Hose Reels

- EN** Heavy duty, high quality open hose reels with extremely robust stainless steel reel, housing and swing wall-bracket. Flexible installation options for low wall, high wall or ceiling installations. Retractable hose equipped with quick-disconnect connector, plastic rollers to avoid wear and tear of the hose, adjustable hose stopper, 1.5m flexible stainless steel supply inlet hose with ½" BSPP female compatible to G½" female connector. Different spray gun options available.
- ESP** Carretes para manguera abiertos de alta calidad y resistencia con carrete, compartimento y soporte para pared giratorio de acero inoxidable de gran resistencia. Opciones de instalación flexibles para instalaciones en paredes bajas, paredes altas o techos. Manguera retráctil equipada con conector de desacoplamiento rápido, rodillos de plástico para evitar el desgaste de la manguera, tope de manguera ajustable, manguera de entrada de suministro de acero inoxidable flexible de 1.5 m con conector hembra BSPP de ½" compatible con conector G½" hembra. Se dispone de diferentes opciones de pistolas aspersoras.
- GER** Heavy Duty, High Quality Schlauchaufroller, offen, mit robustem Gehäuse, Haspel und Wandhalterung aus Edelstahl. Für flexible Wand- oder Deckmontage. Automatische Schlauchaufrollung, Schlauch ausgestattet mit Schnellverschluss und Stopper. Plastikrollen am Gehäuse verringern die Abnutzung des Schlauches. 1,5m flexibler Anschlussschlauch mit Edelstahlmantelung mit ½" BSPP IG, kompatibel zu G½" AG. Verschiedene Sprühpistolen optional verfügbar.
- FR** Enrouleurs de flexible ouverts de haute qualité et à usage intensif, avec un enrouleur, un boîtier et un support mural pivotant extrêmement robustes en acier inoxydable. Options d'installation flexibles pour les installations sur un mur bas, un mur haut ou au plafond. Flexible rétractable équipé d'un raccord à déconnexion rapide, de rouleaux en plastique pour éviter l'usure du tuyau, d'une butée de tuyau réglable, d'un tuyau d'alimentation flexible en acier inoxydable de 1,5 m avec un connecteur femelle de ½ po. BSPP compatible avec un connecteur femelle G½ po. Différentes options de pistolet de pulvérisation disponibles.
- ITA** Avvolgitubo aperto di alta qualità e molto robusto con pulegge, involucro e supporto a parete orientabile in acciaio inossidabile. Varie opzioni di installazione: a parete in posizione bassa o alta, a soffitto. Tubo a riavvolgimento automatico dotato di raccordo a sgancio rapido e boccola di fermo regolabile. I rulli in plastica posizionati all'uscita del tubo ne evitano l'usura. Tubo flessibile di alimentazione in acciaio inossidabile L. 1,5 m con raccordo femmina ½" BSPP compatibile con maschio G½". Diversi modelli di idropistola disponibili.

Model	Inlet	Hose Material	Spray Gun	Hose Length	Hose Inner Ø	Maximum Temperature	Maximum Pressure	Stocking Article in Europe
EU-7133	½" BSPP female compatible to G ½" male	EPDM	Not included	10 m	½" (1.27 cm)	93.33° C	20.68 bar	✓
EU-7133-FG		Food Grade				93.33° C	8.62 bar	✓

Model	Type	Flow Rate	Hose Reel Suffix
EB-0107	Spray Valve	18.7 L/min	-01
MV-2516-24	Rear Trigger Water Gun	19.68 L/min	-02
MV-2522-24	Front Trigger Water Gun	19.68 L/min	-03



EU-7143

(Spray valve / water gun *not* included; must order separately)

Spare Parts and Accessories

Model	Description
014945-45	½" x 50' [12.7mm x 15.24m] Hose Replacement Kit
019499-45	½" [12.7mm] Hose Stop Repair Kit
014947-45	½" [12.7mm] Swivel Repair Kit
019473-45	O-Ring Replacement Kit
014935-45	Large Stainless Steel Spring
014938-45	Roller Replacement Kit
014940-45	Ratchet Repair Kit
017888-45	1.5m Flexible Stainless Steel Supply Hose w/ ½" BSPP Female x ½" NPT male
G019430-45	EasyInstall Stainless Steel Hose Reel Swing Bracket
018399-45	½" NPT Chrome Plated Brass Quick Disconnect
019191-45K	Hose Reel Bracket Mounting Kit

EU-7143 ½" Stainless Steel Hose Reels

- EN** Heavy duty, high quality open hose reels with extremely robust stainless steel reel, housing and swing wall-bracket. Flexible installation options for low wall, high wall or ceiling installations. Retractable hose equipped with quick-disconnect connector, plastic rollers to avoid wear and tear of the hose, adjustable hose stopper, 1.5m flexible stainless steel supply inlet hose with ½" BSPP female compatible to G½" female connector. Different spray gun options available.
- ESP** Carretes para manguera abiertos de alta calidad y resistencia con carrete, compartimento y soporte para pared giratorio de acero inoxidable de gran resistencia. Opciones de instalación flexibles para instalaciones en paredes bajas, paredes altas o techos. Manguera retráctil equipada con conector de desacoplamiento rápido, rodillos de plástico para evitar el desgaste de la manguera, tope de manguera ajustable, manguera de entrada de suministro de acero inoxidable flexible de 1.5 m con conector hembra BSPP de ½" compatible con conector G½" hembra. Se dispone de diferentes opciones de pistolas aspersoras.
- GER** Heavy Duty, High Quality Schlauchaufroller, offen, mit robustem Gehäuse, Haspel und Wandhalterung aus Edelstahl. Für flexible Wand- oder Deckmontage. Automatische Schlauchaufrollung, Schlauch ausgestattet mit Schnellverschluss und Stopper. Plastikrollen am Gehäuse verringern die Abnutzung des Schlauches. 1.5m flexibler Anschlussschlauch mit Edelstahlmantelung mit ½" BSPP IG, kompatibel zu G½" AG. Verschiedene Sprühpistolen optional verfügbar.
- FR** Enrouleurs de flexible ouverts de haute qualité et à usage intensif, avec un enrouleur, un boîtier et un support mural pivotant extrêmement robustes en acier inoxydable. Options d'installation flexibles pour les installations sur un mur bas, un mur haut ou au plafond. Flexible rétractable équipé d'un raccord à déconnexion rapide, de rouleaux en plastique pour éviter l'usure du tuyau, d'une butée de tuyau réglable, d'un tuyau d'alimentation flexible en acier inoxydable de 1,5 m avec un connecteur femelle de ½ po. BSPP compatible avec un connecteur femelle G½ po. Différentes options de pistolet de pulvérisation disponibles.
- ITA** Avvolgitubo aperto di alta qualità e molto robusto con pulegge, involucro e supporto a parete orientabile in acciaio inossidabile. Varie opzioni di installazione: a parete in posizione bassa o alta, a soffitto. Tubo a riavvolgimento automatico dotato di raccordo a sgancio rapido e boccola di fermo regolabile. I rulli in plastica posizionati all'uscita del tubo ne evitano l'usura. Tubo flessibile di alimentazione in acciaio inossidabile L. 1,5 m con raccordo femmina ½" BSPP compatibile con maschio G½". Diversi modelli di idropistola disponibili.

Model	Inlet	Hose Material	Spray Gun	Hose Length	Hose Inner Ø	Maximum Temperature	Maximum Pressure	Stocking Article in Europe
EU-7143	½" BSPP female compatible to G ½" male	EPDM	Not included	15 m	½" (1.27 cm)	93.33° C	20.68 bar	✓

Model	Type	Flow Rate	Hose Reel Suffix
EB-0107	Spray valve	18.7 L/min	-01
MV-2516-24	Rear trigger water gun	19.68 L/min	-02
MV-2522-24	Front trigger water gun	19.68 L/min	-03



ESA-4L65-S

(Spray valve / water gun not included;
must order separately)

Spare Parts and Accessories

Model	Description
017895-45	Detent Kit ESA Hose Reels
018678-45	Large Replacement Spring ESA Hose Reels
019437-45	Hose Reel Swivel Repair Kit
ESA-4L65-HOSE	½" x 65' Hose For ESA hose reel ESA-4L65-S
ESA-4L82-HOSE	½" x 82' Hose For ESA hose reel ESA-4L82-S
ESA-QD	Chrome Plated Brass ½" BSP Quick Disconnect

ESA-4L65-S and ESA-4L82-S Hose Reels

- EN** Heavy duty, high quality open hose reels with extremely robust stainless steel reel, housing and swivel bracket. Flexible installation options for low wall, high wall or ceiling installations. Retractable hose equipped with quick-disconnect connector, plastic rollers to avoid wear and tear of the hose, adjustable hose stopper, 1.5 m flexible stainless steel supply inlet hose with ½" BSPP female compatible to G½" female connector. Different spray gun options available.
- ESP** Carretes para manguera abiertos de alta calidad y resistencia con carrete, compartimento y soporte para pared giratorio de acero inoxidable de gran resistencia. Opciones de instalación flexibles para instalaciones en paredes bajas, paredes altas o techos. Manguera retráctil equipada con conector de desacoplamiento rápido, rodillos de plástico para evitar el desgaste de la manguera, tope de manguera ajustable, manguera de entrada de suministro de acero inoxidable flexible de 1.5 m con conector hembra BSPP de ½" compatible con conector G½" hembra. Se dispone de diferentes opciones de pistolas aspersoras.
- GER** Heavy Duty, High Quality Schlauchaufroller, offen, mit robustem Gehäuse, Haspel und Wandhalterung aus Edelstahl. Für flexible Wand- oder Deckmontage. Automatische Schlauchaufrollung, Schlauch ausgestattet mit Schnellverschluss und Stopper. Plastikrollen am Gehäuse verringern die Abnutzung des Schlauches. 1.5m flexibler Anschlussschlauch mit Edelstahlmantelung mit ½" BSPP IG, kompatibel zu G½" AG. Verschiedene Sprühpistolen optional verfügbar.
- FR** Enrouleurs de flexible ouverts de haute qualité et à usage intensif, avec un enrouleur, un boîtier et un support mural pivotant extrêmement robustes en acier inoxydable. Options d'installation flexibles pour les installations sur un mur bas, un mur haut ou au plafond. Flexible rétractable équipé d'un raccord à déconnexion rapide, de rouleaux en plastique pour éviter l'usure du flexible, d'une butée de flexible réglable, d'un flexible d'alimentation en acier inoxydable de 1,5 m avec un connecteur femelle de ½ po. BSPP compatible avec un connecteur femelle G½ po.. Différentes options de pistolet de pulvérisation disponibles.
- ITA** Avvolgitubo aperto di alta qualità e molto robusto con pulegge, involucro e supporto a parete orientabile in acciaio inossidabile. Varie opzioni di installazione: a parete in posizione bassa o alta, a soffitto. Tubo a riavvolgimento automatico dotato di raccordo a sgancio rapido e boccia di fermo regolabile. I rulli in plastica posizionati all'uscita del tubo ne evitano l'usura. Tubo flessibile di alimentazione in acciaio inossidabile L. 1,5 m con raccordo femmina ½" BSPP compatibile con maschio G½". Diversi modelli di idropistola disponibili.

Model	Inlet	Hose Material	Spray Gun	Hose Length	Hose Inner Ø	Maximum Temperature	Maximum Pressure	Stocking Article in Europe
ESA-4L65-S	G ½" female	EPDM	Not included	20 m	½" (1.27 cm)	93° C	25 bar	✓
ESA-4L82-S				25 m				✓

- EN** Note: For ESA- & EU- Hose Reels, you must order a EMV-0522-24 Water Gun separately.
- ESP** Nota: Para carretes de manguera ESA/EU debe ordenar una pistola de agua EMV-0522-24 por separado.
- GER** Hinweis: Bei den ESA/EU-Schlauchrollen müssen Sie einen EMV-0522-24 Brausekopf separat bestellen.
- FR** Remarque : Pour les dévidoirs de tuyau souple ESA/EU, vous devez commander un pistolet à eau EMV-0522-24 séparément.
- ITA** Nota: per avvolgitubo ESA/EU, è necessario ordinare separatamente una pistola per acqua EMV-0522-24

KLARCO®



5R.M20.449

Spare Parts and Accessories

Model	Description
F134	DN10 x 20m Hose Replacement Kit
F135	DN10 x 15m Hose Replacement Kit
F136	DN10 x 10m Hose Replacement Kit
F175	DN10 x 20m Hose Replacement Kit
F176	DN10 x 15m Hose Replacement Kit
F177	DN10 x 10m Hose Replacement Kit
P030	Backflow Preventer DW15/DN10
P074	Flat Gasket ½" Ø18.5x11 sp.2mm
P097	O-Ring 2056 (14 x 1.78mm)
P201	M10 Reel Spring
P203	90° Coupling + Backflow Preventer
P206	JS Seeger-Ring (Heavy Duty) DIN 472
P223	M15-M20 Reel Spring
P273	Ratchet Repair Kit
P333	Bushing+O-Rings
P350	M10 Roller Repair Kit
P387	M15-20 Roller Repair Kit
P449	Water Gun (Female G½")

KLARCO ½" Stainless Steel Hose Reels

- EN** Enclosed, wall mount swivel MAXIReel hose reels with 10-20 meter-long EPDM or food grade NBR rubber retractable hose. Heavy-duty NiTo-II Combi spray gun with adjustable flow, G ½" male inlet with built-in check valve, cover and wall bracket AISI 304 stainless steel.
- ESP** Carretes para manguera giratorios, cerrados, para montaje en pared MAXIReel con manguera retráctil de goma EPDM o NBR de grado alimenticio de 10 a 20 metros de longitud. Pistola aspersora NiTo-II Combi de alta resistencia con flujo ajustable, entrada macho G ½" con válvula de retención incorporada, tapa y soporte para pared de acero inoxidable AISI 304.
- GER** Geschlossener MAXIReel-Schlauchaufroller zur Wandmontage. Schlauchlängen 10m, 15m oder 20m. Aus EPDM oder NBR (lebensmittelecht) mit NiTo-II Kombi-Sprühpistole mit einstellbarem Durchfluss, Anschluss - G½" AG mit integriertem Rückflussverhinderer. Gehäuse und Wandhalter AISI304 Edelstahl.
- FR** Enrouleurs muraux fermés et pivotants MAXIReel avec flexible rétractable de 10 à 20 mètres de long en EPDM ou en caoutchouc NBR de qualité alimentaire. Pistolet Combi NiTo-II à usage intensif avec débit réglable, entrée G ½ po. mâle avec clapet anti-retour intégré, couvercle et support mural en acier inoxydable AISI 304.
- ITA** Avvolgitubo automatico Mod. MAXIReel orientabile a parete, chiuso, con tubo retraibile in gomma EPDM o NBR alimentare lungo 10, 15 o 20 metri. Idropistola professionale NiTo-II Combi a getto regolabile. Raccordo di alimentazione maschio G ½" con valvola di ritegno incorporata. Involucro e telaio per fissaggio a parete in acciaio inox AISI 304.

Model	Inlet	Hose Material	Spray Gun	Hose Length	Hose Inner Ø	Maximum Temperature	Maximum Pressure	Stocking Article in Europe
5R.M10.449	G ½" male	EPDM	NiTo-II Combi spray gun	10 m	Hose connection G ½" male thread	90° C	10.0 bar	✓
5R.M10.T449		Food grade		10 m				✓
5R.M15.449		EPDM		15 m				✓
5R.M15.T449		Food grade		15 m				✓
5R.M20.449		EPDM		20 m				✓
5R.M20.T449		Food grade		20 m				✓

Model	Type	Flow Rate	Hose Reel Suffix
NiTo-I Combi	Spray gun	8.5 L/min	.448
NiTo-II Combi	Spray gun	8.5 L/min	.449



T&S Special Solutions

Main Features –

- Made for commercial kitchens and heavy uses areas
- Heavy-duty construction
- Industry leading manufacturing and products
- Various heights and sizes available

Main Benefits –

- Low flow options for specific applications in ice cream stores, bakeries, bars, coffee shops, and more
- Easy retrofit and installation
- Increased hygiene
- Improved sustainable approaches and reduction of trash creation
- 1-year limited warranty on most products; lifetime warranty on select products
- Replacement parts available



Model	Description
000925-45	Lab Handle Screw
002521-45NS	4-Arm Handle (New Style)
002954-45	Shank Lock Nut
012443-40NS	Quarter-Turn Eterna Cartridge w/ Spring Check, RTC
015550-45	Lever Arm Repair Kit
015588-40	Adjustable Outlet w/ Torx Wrench
015589-40	Valve Assembly
015886-40	B-1210 Glass Filler Pedestal
015892-40	B-1211 Pedestal
018506-19NS	Blue Button Index, Press-in
059X	6" Swing Nozzle
B-0412	Rigid to Swivel Adapter
B-PT	Full Flow Stream Regulator, 55/64-27
B-WFC	Filter Cartridge
B-WFDS	Water Filtration Docking Station
B-WKF	Water Filtration Kit

B-1200 Series Glass Fillers

- EN** Hygienic glass and bottle filler for connection to the drinking water network, for tabletop-mounted installation in different mounting heights or for wall mounting or with a direct stainless-steel drain sink. Connection 1/2" NPT, compatible with G1/2". With optional filter cartridge as an accessory.
- ESP** Estación higiénica de llenado de vasos y botellas para conexión a la red de agua potable, para instalación sobre mesa a diferentes alturas o para montaje en pared o con pila de desagüe directo de acero inoxidable. Conexión de 1/2" NPT compatible con G1/2". Con cartucho de filtro opcional como accesorio.
- GER** Hygienischer Glas- und Flaschenfüller zum Anschluss an das Trinkwassernetz für Auf Tischmontage in verschiedenen Montagehöhen oder für Wandmontage oder direkt mit Edelstahl-Abflussbecken. Anschluss 1/2" NPT, kompatibel zu G1/2". Mit Filterkartusche als optionales Zubehör.
- FR** Remplisseur de verres et de bouteilles hygiénique pour le raccordement au réseau d'eau potable, pour une installation sur table à différentes hauteurs de montage ou pour un montage mural ou avec un évier à évacuation directe en acier inoxydable. Raccordement 1/2 po. NPT, compatible avec G1/2 po. Avec une option de cartouche filtrante en accessoire.
- ITA** Erogatore per il riempimento di bicchieri e bottiglie da collegare alla rete dell'acqua potabile. Da banco con colonnina disponibile in diverse altezze, a parete o con vassoio in acciaio inox con griglia e piletta. Raccordo 1/2" NPT, compatibile con G 1/2". Accessorio opzionale: cartuccia filtro.

Model	Inlet Type (D)	Installation / Mounting Hole Ø	Clearance (C)	Height (H)	Mounting Dim. Drip Pan	Water Filtration	Stocking Article in Europe
B-1200	3/8" NPT female inlet	Wall mount, 22 mm	-	115 mm	-	-	x
B-1201			-		-	x	
B-1202			3/8" NPSM male thread, with 1/4" sweat tailpiece		-	-	x
B-1204			1/2" NPT male inlet		-	-	x
B-1205			3/8" NPT male inlet		-	-	x
B-1211	1/2" NPT male inlet	Deck mount, 25 mm	104 mm	135 mm	-	-	x
B-1213			202 mm	236 mm	-	-	x
B-1215			209 mm	242 mm	-	-	x
B-1215-12			311 mm	338 mm	-	-	x
B-1220			-	203 mm	236 mm	-	-
B-1222	3/8" NPT female inlet	-	202 mm	236 mm	-	-	x
B-1225	1/2" NPT male inlet	Deck mount, 25 mm	221 mm	455 mm	-	-	x
B-1230			201 mm	239 mm	321 mm x 270 mm	-	✓
B-1230-12			305 mm	341 mm		-	x
B-1230-WFK			202 mm	237 mm		included	x
B-1231			-	-		-	✓
B-1235	1/2" NPT male inlet	25 mm	201 mm	238 mm		-	x

Chart cont. on next page

B-1210 Series Glass Fillers

- EN** Hygienic glass and bottle filler for connection to the drinking water network, for tabletop-mounted installation in different mounting heights or for wall mounting or with a direct stainless-steel drain sink. Connection 1/2" NPT, compatible with G1/2". With optional filter cartridge as an accessory.
- ESP** Estación higiénica de llenado de vasos y botellas para conexión a la red de agua potable, para instalación sobre mesa a diferentes alturas o para montaje en pared o con pila de desagüe directo de acero inoxidable. Conexión de 1/2" NPT compatible con G1/2". Con cartucho de filtro opcional como accesorio.
- GER** Hygienischer Glas- und Flaschenfüller zum Anschluss an das Trinkwassernetz für Auf Tischmontage in verschiedenen Montagehöhen oder für Wandmontage oder direkt mit Edelstahl-Abflussbecken. Anschluss 1/2" NPT, kompatibel zu G1/2". Mit Filterkartusche als optionales Zubehör.
- FR** Remplisseur de verres et de bouteilles hygiénique pour le raccordement au réseau d'eau potable, pour une installation sur table à différentes hauteurs de montage ou pour un montage mural ou avec un évier à évacuation directe en acier inoxydable. Raccordement 1/2 po. NPT, compatible avec G1/2 po. Avec une option de cartouche filtrante en accessoire.
- ITA** Erogatore per il riempimento di bicchieri e bottiglie da collegare alla rete dell'acqua potabile. Da banco con colonnina disponibile in diverse altezze, a parete o con vassoio in acciaio inox con griglia e piletta. Raccordo 1/2" NPT, compatibile con G 1/2". Accessorio opzionale: cartuccia filtro.

Cont. from previous page

Model	Inlet Type (D)	Installation / Mounting Hole Ø	Clearance (C)	Height (H)	Mounting Dim. Drip Pan	Water Filtration	Stocking Article in Europe
B-1210	1/2" NPT male inlet	Deck mount, 25 mm	203 mm	236 mm	-	-	✓
B-1210-01			253 mm	287 mm	-	-	✓
B-1210-01-WFK			253 mm	287 mm	-	included	x
B-1210-12			305 mm	338 mm	-	-	x
B-1210-12-WFK			305 mm	338 mm	-	included	x
B-1210-16			406 mm	440 mm	-	-	x
B-1210-WFK			202 mm	236 mm	-	included	x



5GF-8P



5GF-8P-WS

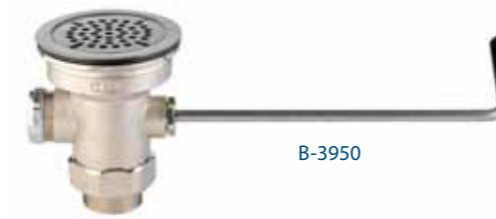
5GF-8P Series Glass Fillers

- EN** Hygienic glass and bottle filler for connection to the drinking water network, for tabletop-mounted installation in different mounting heights or for wall mounting or with a direct stainless-steel drain sink. Connection 1/2" NPT, compatible with G 1/2". With optional filter cartridge as an accessory.
- ESP** Estación higiénica de llenado de vasos y botellas para conexión a la red de agua potable, para instalación sobre mesa a diferentes alturas o para montaje en pared o con pila de desagüe directo de acero inoxidable. Conexión de 1/2" NPT compatible con G 1/2". Con cartucho de filtro opcional como accesorio.
- GER** Hygienischer Glas- und Flaschenfüller zum Anschluss an das Trinkwassernetz für Auf Tischmontage in verschiedenen Montagehöhen oder für Wandmontage oder direkt mit Edelstahl-Ablaufbecken. Anschluss 1/2" NPT, kompatibel zu G 1/2". Mit Filterkartusche als optionales Zubehör.
- FR** Remplisseur de verres et de bouteilles hygiénique pour le raccordement au réseau d'eau potable, pour une installation sur table à différentes hauteurs de montage ou pour un montage mural ou avec un évier à évacuation directe en acier inoxydable. Raccordement 1/2 po. NPT, compatible avec G 1/2 po. Avec une option de cartouche filtrante en accessoire.
- ITA** Erogatore per il riempimento di bicchieri e bottiglie da collegare alla rete dell'acqua potabile. Da banco con colonnina disponibile in diverse altezze, a parete o con vassoio in acciaio inox con griglia e piletta. Raccordo 1/2" NPT, compatibile con G 1/2". Accessorio opzionale: cartuccia filtro.

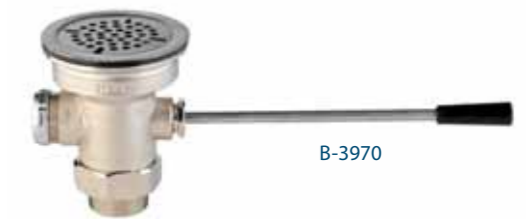
Model	Inlet Type (D)	Installation / Mounting Hole Ø	Clearance (C)	Height (H)	Mounting Dim. Drip Pan	Water Filtration	Stocking Article in Europe
5GF-8P	1/2" NPT male inlet	Deck mount, 25 mm	206 mm	237 mm	-	-	✓
5GF-8P-WS			206 mm	338 mm	321 mm x 270 mm	-	✓
5GF-12P			304 mm	338 mm	-	-	✓
5GF-16P			406 mm	443 mm	-	-	×
5GF-16P-WS			406 mm	443 mm	321 mm x 270 mm	-	×
5GF-W-F	3/8" NPT female inlet	Wall mount	-	111 mm	-	-	×
5GF-W			-	111 mm	-	-	×

Spare Parts Kits and Accessories

Model	Description	Model	Description
000895-45	Spring	003198-45	Spray Valve Handle Nut
000974-45	Bonnet Washer	003199-45	Spray Valve Handle Screw
001062-45	O-Ring	010123-45	Drip Pan
001094-45	Seat Washer	010126-45	Drip Pan Drain
001100-45	Packing Seal	016783-40	Adjustable Deck Flange Repair Kit
001145-45	Lever Arm, Retro Glass Filler	183F	Drip Pan Grid
002954-45	Shank Lock Nut	5GF-8P	Pedestal Glass Filler
003090-45	Outlet Tip, Retro Glass Filler	5GF-W	Wall Mount, 3/8" Male NPT Retro Glass Filler



B-3950



B-3970

B-39xx Series Waste Valves

- EN** Drain for sink in heavy design, chemicals-resilient due to brass material. Design either with rotary handle or lever, optionally with overflow protection. Chrome-plated brass, stainless steel handle; overflow pipe, stainless steel.
- ESP** Desagüe para pila de diseño sólido, resistente a productos químicos debido al material de latón. Diseño con maneral giratorio o palanca, opcionalmente con protección contra reboso. Latón, cromado, acero inoxidable; tubo de rebosadero, acero inoxidable.
- GER** Auslass für Spülbecken in schwerer Ausführung aus Messing und damit Chemikalienresistent. Ausführung wahlweise mit Drehgriff oder Hebel, wahlweise mit Überlauf. Messing, verchromt, Edelstahl; Überlaufrohr, Edelstahl
- FR** Vidange pour évier de conception lourde, résistante aux produits chimiques grâce au matériau en laiton. Conception avec poignée rotative ou levier, en option avec protection contre le débordement. Laiton chromé, acier inoxydable ; tuyau de débordement, acier inoxydable
- ITA** Piletta di Scarico per lavello, di costruzione robusta, in ottone e pertanto resistente ai prodotti chimici. Disponibile con maniglia girevole o con leva. Accessorio opzionale: troppopieno. Ottone cromato, acciaio inossidabile; troppopieno in acciaio inossidabile.

Waste Valve Model	Sink Opening	Drain Outlet	Overflow Assembly	Handle	Stocking Article in Europe
B-3940	3"	2" NPT male to 1 1/2" NPT male adapter	Optional	Standard twist, 12 1/4" (311 mm)	×
B-3945	(see chart below)		-	-	×
B-3950	3 1/2"		Optional	Standard twist, 12 1/4" (311 mm)	✓
B-3970	3 1/2"		Optional	Standard lever, 12 1/8" (308 mm)	×

Spare Parts Kits and Accessories

Model	Description	Model	Description
010381-45	Gasket, 3" Face Flange	010391-45	Nut, Coupling For Twist Drain
010382-45	Gasket, 3 1/2" Face Flange	010392-45	Bushing, Waste Drain Lever Handle
010384-45	Flange, 3 1/2" Face	010393-45	Handle, Rotary Waste Valve Twist
010385-45	Strainer, 3" Snap-in	010394-45	Handle, Waste Drain Valve Lever
010386-45	Strainer, 3 1/2" Snap-in Removable	015306-45	Flange, 3" Face
010388-45	Plunger, Lever and Twist Drain	012640-45	Waste Drain Overflow Cap w/ Sealing Washer
010389-45	O-Ring, Plunger	B-39K	Washers, O-Rings & Gaskets
010390-45	Ferrule, Coupling Nut	B-3945	Adapter, 2" NPT x 1 1/2" NPT



B-3990 (Closed)



B-3990 (Open)

B-3990 Series Waste Valves

- EN Drain for sink with blade for closing the sink and separating food residues, in heavy design of stainless steel, chemicals-resilient. Maintenance without disassembly of the piping of the waste valve is possible in this design. Stainless steel.
- ESP Desagüe para pila con paleta para cerrar la pila y separar los restos de comida, diseño resistente de acero inoxidable, resistente a productos químicos. En este diseño, es posible el mantenimiento sin desmontar la tubería de la válvula de descarga. Acero inoxidable.
- GER Auslass für Spülbecken mit Klinge zum Verschließen des Beckens und zum Zerteilen von Lebensmittelresten in schwerer Ausführung aus Edelstahl, Chemikalienresistent. Bei dieser Ausführung ist die Wartung ohne Demontage der Verrohrung des Waste-Valves möglich. Edelstahl.
- FR Vidange pour évier avec lame pour fermer l'évier et séparer les résidus alimentaires, version lourde en acier inoxydable, résistante aux produits chimiques. Cette conception permet un entretien sans démontage de la tuyauterie de la vanne de vidange. Acier inoxydable.
- ITA Piletta di scarico per lavello con lama per chiudere il lavello e per tagliare eventuali residui di cibo, di costruzione pesante in acciaio inossidabile, resistente ai prodotti chimici. Questa versione permetta la manutenzione senza necessità di smontare le tubature della valvola di scarico. Acciaio inossidabile.

Modular Waste Valve Model	Sink Opening	Drain Outlet	Overflow Assembly	Handle	Stocking Article in Europe
B-3990	3 1/2"	2" NPT male to 1 1/2" NPT male adapter	Optional	Push-pull, 5 3/4" closed; 8 5/8" open	×
B-3990-01	3 1/2"		Included		×
B-3990-BSP	3 1/2"	With 1 1/2" BSP male adapter	Optional		×

Spare Parts Kits and Accessories

Model	Description	Model	Description
B-3990-3KIT	3" Extension	010391-45	Nut, Coupling for Twist Drain
B-3990-5KIT	5" Extension	011355-45	Tube, Overflow Elbow
014734-45	#8 Spanner Bit For Vandal Resistant Screw	011356-45	Head Asm, Overflow Tube
012640-45	Sealing Cap When Overflow Tube Coupling Nut is Not Used	017219-45	Valve Body w/ (2) Seals
010382-45	Gasket, 3 1/2" Face Flange	017670-45	Waste Drain Installation Tool
010384-45	Flange, 3 1/2" Face	017694-45	Guard, 3 1/2" Vandal Resistant Drain
010386-45	Strainer, 3 1/2" Snap-in Removable	017698-45K	Valve Body Seal Kit, Bag of (2)
010390-45	Ferrule, Coupling Nut	B-3945	Adapter, 2" NPT x 1 1/2" NPT



EW-7360B

EW-7360B Eye/Face Wash

- EN Wall mount eye/face wash with round stainless steel receptor and ABS green plastic eyewash head with built-in 2.5 GPM flow control, 1/2" NPT inlet and outlet, 1 1/4" NPT waste
- ESP Estación de lavado de ojos/cara para montaje en pared con receptor redondo de acero inoxidable y cabezal ABS para lavado de ojos, de plástico de color verde con control de flujo incorporado de 2.5 GPM, entrada y salida de 1/2" NPT, desagüe de 1 1/4" NPT.
- GER Wandmontierte Augen-/Gesichtsdusche mit rundem Edelstahl becken und grünem ABS-Kopf für Augendusche mit integrierter 2,5 GPM-Flusskontrolle, 1/2" NPT-Ein- und Auslass, 1 1/4" NPT-Abwasservorrichtung
- FR Poste mural de lavage des yeux/du visage avec récepteur rond en acier inoxydable et tête de lavage oculaire en plastique vert ABS avec contrôle de débit intégré de 2,5 GPM, entrée et sortie 1/2 po. NPT, évacuation de 1 1/4 po. NPT.
- ITA Doccia oculare/facciale con lavello rotondo in acciaio inossidabile e soffione in plastica verde ABS con controllo di flusso integrato da 2,5 GPM, raccordi di ingresso e uscita 1/2" NPT, scarico da 1 1/4" NPT

Model	Material	Inlet Type (D)	Outlet	Stocking Article in Europe
EW-7360B	ABS green plastic eyewash head and round stainless steel receptor	1/2" NPT	1 1/4" NPT	×



EW-7656WC

EW-7656WC Eye Wash Station

- EN Stainless steel recessed wall mount Eye/Face wash with chrome plated brass pull-down valve with strainer, 1/2" NPT inlet and 2" NPT waste outlet
- ESP Estación de lavado de ojos/cara empotrada en pared con palanca de latón, cromada, entrada de 1/2" NPT y salida de desagüe de 2" NPT.
- GER Versenkte wandmontierte Augen-/Gesichtsdusche mit chromplattiertem, gebürstetem ausziehbarem 1/2" NPT-Einlass und 2" NPT-Abwasserauslass
- FR Poste de lavage des yeux/du visage à encastrer avec tirette en laiton chromé, entrée de 1/2 po. NPT et sortie d'évacuation de 2 po. NPT.
- ITA Doccia oculare/facciale da incasso a parete con vassoio estraibile in ottone cromato, ingresso 1/2" NPT, scarico da 2" NPT. Involucro di alloggiamento in acciaio inossidabile

Model	Inlet type (D)	Installation / Mounting Hole Ø	Dimension	Stocking Article in Europe
EW-7656WC	1/2" NPT	Wall mount, 308mm (depth) x 765mm (height)	308mm (depth) x 765mm (height)	×



B-2282 Series Dipperwell Faucets and Bowls

- EN "Dipper Well" system for storage of, e.g., confectioner's knives, ice cream scoops, etc., with continuous, adjustable water exchange with overflow protection. Stainless steel bowl, chrome-plated brass faucet
- ESP Sistema de pila con grifo abierto para el almacenamiento de, por ejemplo, cuchillos de pastelería, cucharas para helado, etc., con intercambio de agua continuo y ajustable con protección contra rebose. Cuenco, acero inoxidable, accesorio, latón, cromado brillante
- GER "Dipper Well" - System zum Aufbewahren von z.B. Konditormessern, Eisportionierern, etc. mit kontinuierlichem, regelbarem, Wasseraustausch mit Überlaufschutz. Behälter, Edelstahl, Armatur, Messing, glanzverchromt
- FR Système « Dipper Well pour le stockage, par exemple, de couteaux de pâtissier, cuillères à glace, etc., avec renouvellement d'eau en continu et réglable avec protection contre le débordement. Cuve, acier inoxydable, raccord, laiton chromé brillant
- ITA Sistema "Dipper Well" per il posizionamento di utensili quali, ad esempio, coltelli da pasticceria, porzionatori o palette per il gelato. Ricambio di acqua continuo e regolabile, con protezione troppopieno. Contenitore in acciaio inossidabile, rubinetto in ottone cromato.

Model	Inlet Type (D)	Installation / Mounting Hole Ø	Clearance (C)	Height (H)	Flow Rate	Min. and Max. Pressure	Max. Thickness	Stocking Article in Europe
B-2282	8 mm I.D. sweat fitting or removable for 1/2" NPSM male inlet compatible with G 1/2"	Deck mount, 22 mm	43 mm	67 mm at maximum open	Variable	1.38 bar - 8.62 bar	51 mm	x
B-2282-01		22 mm for faucet, 146 mm for stainless steel bowl			Variable			✓
B-2282-01-F05		22 mm for faucet, 146 mm for stainless steel bowl			1.89 L/min			x
B-2282-F03		Deck mount, 22 mm			0.95 L/min			x
B-2282-F05		Deck mount, 22 mm			1.89 L/min			x

Spare Parts and Accessories

Model	Description
B-2282-RK	Parts Kit for Dipperwell
006678-45	Dipperwell w/ Stainless Steel Overflow Cup & Drain
017225-45	Dipperwell Drain



B-0712 Series Self-Closing Metering Faucets

- EN Self-closing fittings in different designs, with elbow or pushbutton operation. Adjustable open-time. ADA-compatible, i.e. little force is necessary to actuate the fitting. E.g. for children, the elderly, or persons with disabilities. Chrome-plated brass
- ESP Accesorios de cierre automático en diferentes diseños, con accionamiento por codo o botón. Tiempo de apertura ajustable. Compatible con ADA, es decir, se necesita poca fuerza para accionar el accesorio. Por ejemplo, para niños, ancianos o personas con discapacidad. Latón, cromado brillante
- GER Selbstschluss-Armaturen in verschiedenen Ausführungen, mit Ellbogen- oder Ducktaster-Bedienung. Offenzeit einstellbar. ADA-kompatibel, das bedeutet, dass für die Aktivierung der Armatur nur geringe Kraft notwendig ist. Z.B. für Kinder, Senioren oder Menschen mit Behinderung. Messing, glanzverchromt
- FR Raccords à fermeture automatique de différents modèles, avec commande au coude ou par bouton-poussoir. Durée d'ouverture réglable. Compatible avec les normes ADA, c'est-à-dire qu'une faible force est nécessaire pour actionner le raccord. Par exemple, pour les enfants, les personnes âgées ou les personnes handicapées. Laiton, chromé brillant
- ITA Rubinetti temporizzati ad un'acqua in diverse versioni, a leva o a pulsante. Tempo di erogazione regolabile. Compatibile ADA in quanto è necessaria poca forza per azionare il rubinetto. È adatto, ad esempio, per i bambini, gli anziani o le persone con disabilità. Ottone cromato.

Model	Inlet Type (D)	Installation / Mounting Hole Ø	Clearance (C)	Height (H)	Flow Rate	Outlet	Cartridge	Vandal-Resistant	Stocking Article in Europe
B-0712	1/2" NPSM male inlet, optional tail-piece & nut for 1/4" NPT connection (included)	Deck mount, 29mm	34 mm	119 mm	8.3 L/min	B-0199-03 Aerator	238A Push button metering cartridge	No	x
B-0712-VF05			33 mm	118 mm	1.79 L/min	B-0199-08-N05 VR non-aerated spray device	238A Push button metering cartridge	Yes	x
B-0712-WA			34 mm	171 mm	8.3 L/min	B-0199-03 Aerator	Wrist action metering cartridge	No	x

Spare Parts Kits and Accessories

Model	Description	Model	Description
014193-40	Blank Push Button Cap w/ Spanner Bit	018506-19NS	Blue Button Index, Press-in
000925-45	Lab Handle Screw	238A	Push Button Metering Cartridge
000958-20	Coupling Nut	238AB	Metering Cartridge w/ Blank Push Button Cap & Spanner Bit
001000-45	Rosette Washer	B-0199-03	2.2 GPM Aerator
002954-45	Shank Lock Nut	B-0199-08-N05	0.5 GPM VR Spray Device, 13/16-27 Male
012449-40	Wrist-Action Metering Cartridge	B-WH4C-NS	4" Wrist Action Handle, Screw & Cold Index
014734-45	Spanner Bit, #8	B-WH4-NS	Wrist Action Handle - New Style



Spare Parts Kits and Accessories

Model	Description
000999-45	Brass Lock Washer
002954-45	Shank Lock Nut
014193-40	Blank Push Button Cap w/ Spanner Bit
044A	3/8" to Aerator Adapter
238A	Push Button Metering Cartridge
238AB	Metering Cartridge w/ Blank Push Button Cap & Spanner Bit
B-0199-01	2.2 GPM Aerator, 55/64-27 UN Female
B-0199-01-WS	1.5 GPM Aerator, 55/64-27 Female
B-0199-02	2.2 GPM Aerator, 3/8" NPSM Male
B-0199-02-WS	1.5 GPM Aerator, 3/8" NPSM Male
B-0199-06-N05	VR 0.5 GPM Non-Aerated Spray Device, 55/64"-27 UN Female w/ Key
B-0199-07-N05	VR 0.5 GPM Non-Aerated Spray Device, 3/8" NPSM Male w/ Key

B-0805 Push Button Metering Faucet

- EN** Self-closing fittings in different designs, with elbow or pushbutton operation. Adjustable open-time. ADA-compatible, i.e. little force is necessary to actuate the fitting. E.g. for children, the elderly, or persons with disabilities. Chrome-plated brass
- ESP** Accesorios de cierre automático en diferentes diseños, con accionamiento por codo o botón. Tiempo de apertura ajustable. Compatible con ADA, es decir, se necesita poca fuerza para accionar el accesorio. Por ejemplo, para niños, ancianos o personas con discapacidad. Latón, cromado brillante, cromado brillante. Por ejemplo, para niños, ancianos o personas con discapacidades.
- GER** Selbstschluss-Armaturen in verschiedenen Ausführungen, mit Ellbogen- oder Ducktaster-Bedienung. Offenzeit einstellbar. ADA-kompatibel, das bedeutet, dass für die Aktivierung der Armatur nur geringe Kraft notwendig ist. Z.B. für Kinder, Senioren oder Menschen mit Behinderung. Messing, glanzverchromt
- FR** Raccords à fermeture automatique de différents modèles, avec commande au coude ou par bouton-poussoir. Durée d'ouverture réglable. Compatible avec les normes ADA, c'est-à-dire qu'une faible force est nécessaire pour actionner le raccord. Par exemple, pour les enfants, les personnes âgées ou les personnes handicapées. Laiton, chromé brillant Laiton, chromé brillant par exemple, pour les enfants, les personnes âgées ou les personnes handicapées.
- ITA** Rubinetti temporizzati ad un'acqua in diverse versioni, a leva o a pulsante. Tempo di erogazione regolabile. Compatibile ADA in quanto è necessaria poca forza per azionare il rubinetto. È adatto, ad esempio, per i bambini, gli anziani o le persone con disabilità. Ottone cromato

Model	Inlet Type (D)	Installation / Mounting Hole Ø	Clearance (C)	Height (H)	Flow Rate	Outlet	Cartridge	Vandal-Resistant	Stocking Article in Europe
B-0805	1/2" NPSM male inlet with coupling nut	Deck mount, 25mm	41 mm	126 mm	8.3 L/min	B-0199-01 Aerator	238A Push button metering cartridge	No	×
B-0805-VF05			41 mm		1.79 L/min	B-0199-07-N05 VR non-aerated spray device		Yes	×
B-0805-WS			41 mm		5.7 L/min	B-0199-02-WS Aerator		No	×



ADA ANSI 117

According to the ANSI / ICC A117.1 accessibility standard, it is prescribed that

309.4 Operation. Operable parts shall be operable with one hand and shall not require tight grasping, pinching, or twisting of the wrist. The force required to activate operable parts shall be 5.0 pounds (22.2 N) maximum.

In order to find solutions for buildings and facilities with ADA ANSI requirements, T&S has adapted some products to comply with this standard. T&S considers it a moral responsibility to provide facilities with options to make lives easier for persons with disabilities.

All applicable T&S products include the "ADA Compliant" logo and/or the ANSI A117.1 product compliance note in the specification drawings and product submittals.





"In the end, it's all about helping save natural and financial resources for our customers. It's our mission — and it's part of everything we do."



T&S Originals



Main Features –

- Made for commercial kitchens and use
- Comes with U.S. standards for supply fittings and voltages to fit to customers around the world
- Heavy-duty brass bodies and riser pipes and nozzles
- Double thick chrome-plated
- Industry leading manufacturing and products
- Antimicrobial-handles as optional feature for enhanced hygiene available

Main Benefits –

- PRU hoses tested to 1 million cycles
- Spray guns tested to 600K cycles
- Harmonized spring steel
- Pre-assembled for minimal installation time and costs (EasyInstall)
- 100% pre-tested
- Limited warranty three years or longer
- Extra robust stainless steel protection for PRU hoses
- Original T&S ETERNA or CERAMA long life cartridges
- Wide range of available products
- Over 80% same day shipment for orders

For full range of products, visit www.tsbrass.com

DURAPULL T&S DuraPull Pre-Rinse Units

ALL DURAPULL PULL DOWN MODELS FEATURE:

- Dual temperature mixing faucet
- Cerama cartridges
- Sprayer 4.05 L/min (1.07 GPM)
- Pull down activation and automatic shut-off
- 7-YEAR warranty



SAME HEIGHT AND REACH as traditional pre-rinse units

SWIVEL allows 360° rotation of sprayer

SIMPLY PULL DOWN to activate water

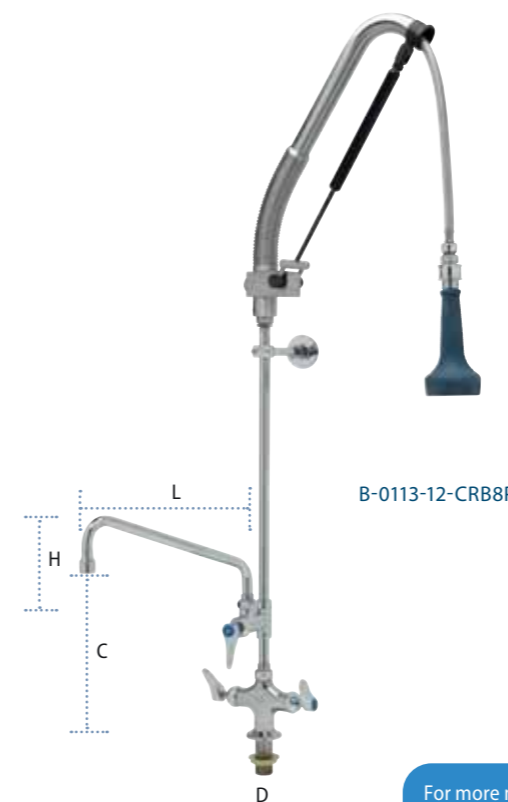
Highly DURABLE CERAMA CARTRIDGES come standard

RIGOROUS LIFECYCLE TESTING far exceeds industry standards



B-0133-12-CRB8P
Pull Down Pre-Rinse Unit

EasyInstall



B-0113-12-CRB8P

For more model variations, go to www.tsbrass.com

Spare Parts Kits and Accessories

Model	Description
000369-40	3/8" NPT x 18" Riser
001014-45	Washer, B-0100 Hose Barrel
001019-45	Coupling Nut Washer
001193-19NS	Red Button Index, Press-in
001359-40	Hex Bushing, 1/2" NPT Male x 3/8" NPT Female
001638-45NS	Lever Handle (New Style)
00AA	1/2" NPT Female Eccentric Flange
012394-25NS	Quarter-Turn Cerama Cartridge w/ Check Valve, RTC
012395-25NS	Quarter-Turn Cerama Cartridge w/ Check Valve, LTC
012446-25NS	Quarter-Turn Cerama Cartridge w/ Check Valve, Handle, Red Index & Screw, RTC
012447-25NS	Quarter-Turn Cerama Cartridge w/ Check Valve, Handle, Red Index & Screw, LTC
012534-45	18" Flexible Supply Hose (2)
014200-45	Star Washer, Anti-Rotation
018200-40	3/8" NPT Live Swivel
018506-19NS	Blue Button Index, Press-in
019898-40	1.07 GPM Sprayer w/ Swivel
019901-45	30" Stainless Steel Braided Hose w/ 1/2" NPSM Threads
020063-45	Valve Body Repair Kit
062X	12" Swing Nozzle
1085F-RK	Spray Face Repair Kit
B-0109-01	6" Wall Bracket
B-0155-CR-LN	Add-On Faucet w/ Cerama Cartridge, RTC & Lever Handle (Less Nozzle)
B-PT	Full Flow Stream Regulator, 55/64-27
EZ-K	EasyInstall Kit: Nut, Bushing, O-Ring & Lock Washer

B-0113 Series DURAPULL Pre-Rinse Units

- EN** T&S DuraPull is an all-new premium design pre-rinse unit featuring pull-down activation and automatic shut-off. With an industry-best seven-year warranty, 4.05 L/min flow rate, a variety of body types and styles, add-on faucets in various lengths, and a B-TEE-RGD for easy connection to cleaning solutions. Quarter-turn Cerama cartridges, and compression fittings for 5/8" O.D. copper tubing (remove compression nut for 1/2" NPSM male). Antimicrobial handles available.
- ESP** DuraPull de T&S es una unidad de prelavado de diseño premium completamente nueva que cuenta con activación mediante palanca y cierre automático. Con la mejor garantía de siete años de la industria, caudal de 4.05 l/min, una variedad de tipos y estilos de cuerpo, grifos complementarios de varias longitudes y un B-TEE-RGD para conectarlo fácilmente a las soluciones de limpieza. Cartuchos Cerama de un cuarto de vuelta y juntas de compresión para tubería de cobre de 5/8" de diámetro exterior (retire la tuerca de compresión para macho de 1/2" NPSM). Manerales antimicrobianos disponibles.
- GER** T&S DuraPull ist eine neue erstklassige Geschirrbrause, die durch Herunterziehen aktiviert wird und sich automatisch abschaltet. Mit branchenweit bester 7-Jahres-Garantie, einer Flussrate von 4,05 l/min, einer Vielzahl verschiedener Modelle und Stilrichtungen, aufsetzbaren Wasserhähnen in verschiedenen Längen und einem B-TEE-RGD für einfachen Anschluss an Reinigungslösungen. Cerama-Kartuschen mit Vierteldrehung und Kompressionsarmaturen für 5/8" O.D. Kupferrohre (Kompressionsmutter für 1/2" NPSM männlich entfernen). Antimikrobielle Griffe erhältlich.
- FR** T&S DuraPull est un tout nouveau modèle d'appareil de pré-rinçage de qualité supérieure, avec activation par tirette et arrêt automatique. Avec une garantie de sept ans, la meilleure du secteur, un débit de 4,05 l/mn, divers types et de styles de corps, des robinets supplémentaires de différentes longueurs et un B-TEE-RGD pour une connexion facile aux solutions de nettoyage. Cartouches Cerama quart de tour et raccords à compression pour tube cuivre de 5/8 po. de D.E.. (enlever l'écrou à compression pour 1/2 po. NPSM mâle). Poignées antimicrobiennes disponibles.
- ITA** T&S DuraPull è un nuovo Gruppo Doccia che si attiva tramite la trazione della testa doccia, l'erogazione si interrompe automaticamente al rilascio della testa doccia stessa. Con una garanzia di sette anni, una portata di 4.05L/min, vari tipi di rubinetti e stili, rubinetti sul tubo di varie lunghezze e un B-TEE-RGD per un facile collegamento ai sistemi di pulizia. Cartucce Cerama a un quarto di giro e raccordi a compressione per tubi di rame da 5/8" (rimuovere il dado a compressione per 1/2" NPSM maschio). Maniglie con rivestimento antimicrobico disponibili.

Model Number	Inlet Type (D)	Installation / Mounting Hole Ø	Clearance (C)	Nozzle Length (L)	Nozzle Height (H)	Spray Valve	Spray Valve Flow Rate	AOF Flow Rate	Cartridge	Stocking Article in Europe
•• B-0113-12-CRB8P	1/2" NPSM male	Deck mount, 38 mm	295 mm	305 mm	179 mm	Durapull sprayer	4.05 L/min	Full flow 20 L/min	Cerama ceramic	×
•• B-0113-CR-B8P	1/2" NPSM male		N/A	N/A	N/A					×
•• B-0133-12-CRB8P	Flanges w/ 1/2" NPT female inlets	Wall mount N/A	305 mm	N/A	179 mm					×



B-0113-B



B-0113-V-BC
(with vacuum breaker)

For more model variations, go to www.tsbrass.com

B-0113 Series Pre-Rinse Units

- EN** Single hole deck mount base faucet assembly (B-0200-LN) with EasyInstall™ "pop and lock" riser installation feature. Overhead spring, 457 mm flexible inlets with 5/8" compression / 1/2" NPSM male couplings. 1/4 turn cartridges with cross flow prevention. 610 mm riser, B-0044-H2A 1118 mm flexible stainless steel hose, and finger hook.
- ESP** Unidad de grifo de base para montaje sobre cubierta, de un solo orificio (B-0200-LN) con la función de instalación con tubo de subida "pop and lock" (zafar y trabar) EasyInstall™. Resorte para grifo, entradas flexibles de 457 mm con acoplamiento macho de compresión de 5/8" / 1/2" NPSM. Cartuchos de 1/4 de vuelta con prevención de flujo cruzado. Tubo de subida de 610 mm, manguera flexible de acero inoxidable de 1118 mm B-0044-H2A y gancho.
- GER** Einlochwasserhahn-Set zur Aufsatzmontage (B-0200-LN) mit EasyInstall™ „Pop and Lock“-Steigrohrinstallationsmerkmal. Überkopf-Feder, biegsame 457 mm-Einlässe mit 5/8" Kompression/ 1/2" NPSM-Anschlussstücken, männlich. Kartuschen mit 1/4 Drehung mit Verhinderung von Querflüssen. 610 mm Steigleitung, B-0044-H2A biegsamer 1.118 mm Edelstahlschlauch und Fingerhaken.
- FR** Robinet de base monotrou à montage sur le plan de travail (B-0200-LN) avec fonction d'installation de la colonne montante « pop and lock » EasyInstall™. Ressort suspendu, entrées flexibles de 457 mm avec raccords mâles de 5/8 po. à compression / 1/2 po. NPSM. Cartouches 1/4 de tour avec prévention des flux croisés. Colonne montante de 610 mm, flexible en acier inoxydable de 1118 mm B-0044-H2A et crochet pour les doigts.
- ITA** Gruppo Doccia monoforo da banco miscelatore (B-0200-LN) con modalità di montaggio del tubo di supporto EasyInstall™ "pop and lock". Mollone di supporto del flessibile, flessibili di alimentazione L. 457mm con raccordi a compressione maschio 5/8" compressione / 1/2" NPSM. Vitoni con apertura 1/4 di giro con valvola di non-ritorno integrata. Tubo di supporto L. 610 mm, flessibile in acciaio inossidabile B-0044-H2A L. 1118 mm e gancio per testa doccia.

Model Number	Inlet Type (D)	Installation / Mounting Hole Ø	Clearance (C)	Nozzle Height (H)	Nozzle Length (L)	Spray Valve	Spray Valve Flow Rate	AOF Flow Rate	Cartridge	Vacuum Breaker	Stocking Article in Europe
•• B-0113-B	1/2" NPSM male	Deck mount, 38 mm	N/A	N/A	N/A	B-0107	4.35 L/min	N/A	Eterna compression	×	×
•• B-0113-CR-B			N/A					N/A	N/A	N/A	Cerama ceramic
•• B-0113-ADF12-B			295 mm	179 mm	305 mm			Full flow 20 L/min	Eterna compression	×	×
•• B-0113-12-CR-B			295 mm						Cerama ceramic	×	×
•• B-0113-V with vacuum breaker			N/A	N/A	N/A			N/A	N/A	Eterna compression	×

Spare Parts Kits and Accessories

Model	Description	Model	Description
010476-45	#27 Washer	EZ-K	EasyInstall Kit: Nut, Bushing, O-Ring & Lock Washer
002987-40	Grip Handle	001065-45	O-Ring
001014-45	Washer, Hose Barrel	014200-45	Star Washer, Anti-Rotation
B-0044-H2A	44" Flexible Stainless Steel Hose, Less Handle	012442-40NS	Quarter-Turn Eterna Cartridge w/Spring Check, LTC
000888-45	EasyInstall Overhead Spring	002711-40NS	Quarter-Turn Eterna Cartridge w/Spring Check, Handle, Blue Index & Screw, LTC
B-0109-01	6" Wall Bracket	001638-45NS	Lever Handle (New Style)
000821-40	Spring Body	012534-45	18" Flexible Supply Hose (2)
004R	Finger Hook	012443-40NS	Quarter-Turn Eterna Cartridge w/ Spring Check, RTC
000372-40	3/8" NPT x 24" Riser	002712-40NS	Quarter-Turn Eterna Cartridge w/Spring Check, Handle, Red Index & Screw, RTC



For more model variations, go to www.tsbrass.com

B-0123 and B-2277 Series Pre-Rinse Units

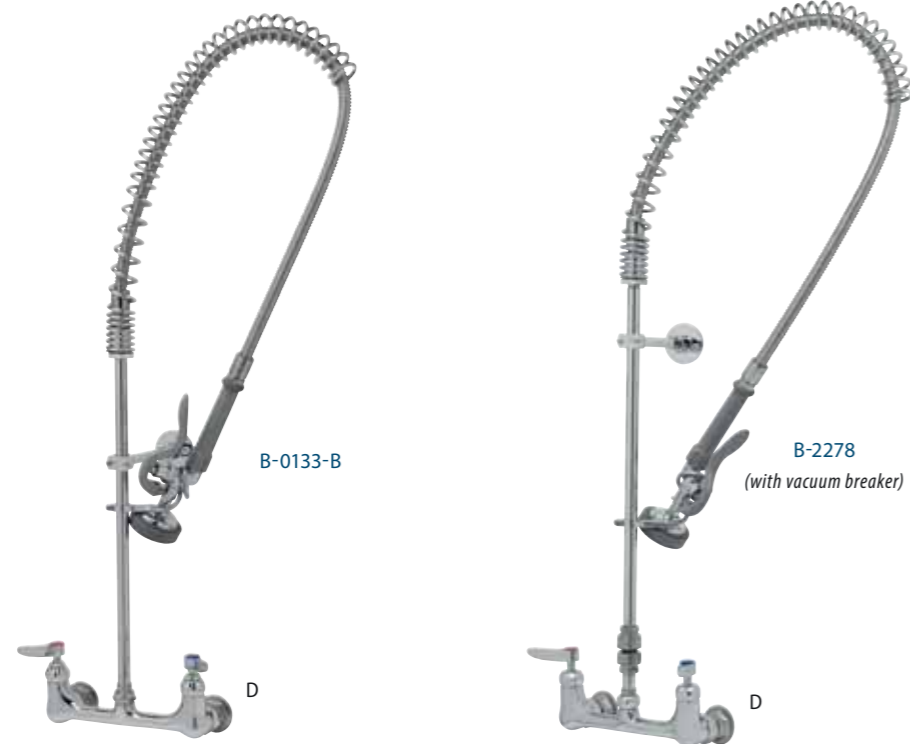
- EN** 203 mm deck mount base faucet assembly (B-0220-LN) with EasyInstall™ “pop and lock” riser installation feature. Overhead spring, ¼ turn cartridges with cross flow prevention, ½” NPT female eccentric flanged inlets (00AA), B-0044-H2A 1118 mm flexible stainless steel hose, finger hook (004R). 305 mm adjustable wall bracket.
- ESP** Unidad de grifo de base para montaje sobre cubierta (B-0220-LN) de 203 mm con la función de instalación de tubo de subida “pop and lock” (zafar y trabar) EasyInstall™. Resorte para grifo, cartuchos de ¼ de vuelta con prevención de flujo cruzado, entradas hembra excéntricas con pestaña de ½” NPT (00AA), manguera flexible de acero inoxidable B-0044-H2A de 1118 mm y gancho (004R). Soporte de pared ajustable de 305 mm.
- GER** 203 mm Wasserhahn-Set zur Aufsatzmontage (B-0220-LN) mit EasyInstall™ „Pop and Lock“-Steigrohrinstallationsmerkmal. Überkopf-Feder, Kartuschen mit ¼ Drehung mit Verhinderung von Querflüssen, ½” NPT-Einlässe, weiblich, exzentrisch geflanscht (00AA), B-0044-H2A biegsamem 1.118 mm Edelstahlschlauch und Fingerhaken (004R). Einstellbare 305 mm Wandhalterung.
- FR** Robinet de base à montage sur le plan de travail de 203 mm (B-0220-LN) avec fonction d’installation de la colonne montante « pop and lock » EasyInstall™. Ressort suspendu, cartouches ¼ de tour avec prévention des flux croisés, entrées à bride excentrique femelle ½ po. NPT (00AA), flexible en acier inoxydable B-0044-H2A de 1118 mm et crochet pour les doigts (004R). Support mural réglable de 305 mm.
- ITA** Gruppo Doccia biforo miscelatore da banco con interasse 203mm (B-0220-LN) con modalità di montaggio del tubo di supporto EasyInstall™ “pop and lock”. Mollone di supporto del flessibile. Vitoni con apertura ¼ di giro con valvola di non-ritorno integrata., raccordi eccentrici flangiati femmina ½” NPT (00AA), flessibile in acciaio inossidabile B-0044-H2A L. 1118 mm e gancio per testa doccia. Supporto a parete regolabile L. 305mm.

Model Number	Inlet Type (D)	Installation / Mounting Hole Ø	Clearance (C)	Nozzle Length (L)	Nozzle Height (H)	Spray Valve	Spray Valve Flow Rate	AOF Flow Rate	Cartridge	Stocking Article in Europe
B-0123-B	Flanges w/ ½” NPT female inlets	Deck mount, 203mm distance	N/A	N/A	N/A	B-0107	4.35 L/min	N/A	Eterna compression	×
B-2277 with vacuum breaker									Eterna compression	×
B-2277-CR with vacuum breaker			Full flow 20 L/min	Cerama ceramic	×					
B-2277-01 with vacuum breaker					Eterna compression			×		
B-2277-01-CR with vacuum breaker					Cerama ceramic			×		

Spare Parts Kits and Accessories

Model	Description
010476-45	#27 Washer
002987-40	Grip Handle
001014-45	Washer, B-0100 Hose Barrel
B-0044-H2A	44" Flexible Stainless Steel Hose, Less Handle
000888-45	EasyInstall Overhead Spring
000821-40	Spring Body
001638-45NS	Lever Handle (New Style)
012442-40NS	Quarter-Turn Eterna Cartridge w/ Spring Check, LTC
002711-40NS	Quarter-Turn Eterna Cartridge w/ Spring Check, Handle, Blue Index & Screw, LTC
001065-45	O-Ring
014200-45	Star Washer, Anti-Rotation

Model	Description
001019-45	Coupling Nut Washer
00AA	½” NPT Female Eccentric Flange
EZ-K	EasyInstall Kit: Nut, Bushing, O-ring, Lock Washer
012443-40NS	Quarter-Turn Eterna Cartridge w/ Spring Check, RTC
002712-40NS	Quarter-Turn Eterna Cartridge w/ Spring Check, Handle, Red Index & Screw, RTC
000369-40	¾” NPT x 18” Riser
B-0970-FE	¾” NPT Vacuum Breaker
B-0970-FEZ	EasyInstall ¾” NPT Vacuum Breaker
B-0425-M	½” NPT Supply Nipple Kit (2)
000999-45	Brass Lock Washer
002954-45	Shank Lock Nut



For more model variations, go to www.tsbrass.com

B-0133 and B-2278 Series Pre-Rinse Units

- EN** 203 mm wall mount base faucet assembly (B-0230-LN) with EasyInstall™ "pop and lock" riser installation feature. ¼ turn cartridges with cross flow prevention, ½" NPT female eccentric flanged inlets (00AA), B-0044-H2A 1118 mm flexible stainless steel hose, overhead spring, and finger hook (004R).
- ESP** Unidad de grifo de base para montaje en pared (B-0230-LN) de 203 mm con la función de instalación de tubo de subida "pop and lock" (zafar y trabar) EasyInstall™. Cartuchos de ¼ de vuelta con prevención de flujo cruzado, entradas hembra excéntrica con pestaña de ½" NPT (00AA), manguera flexible de acero inoxidable B-0044-H2A de 1118 mm, resorte para grifo y gancho (004R).
- GER** 203 mm Wasserhahn-Set zur Wandmontage (B-0230-LN) mit EasyInstall™ „Pop and Lock“-Steigrohrinstallationsfunktion. Kartuschen mit ¼ Drehung mit Verhinderung von Querflüssen, ½" NPT-Einlässe, weiblich, exzentrisch geflanscht (00AA), B-0044-H2A biegsamem 1.118 mm Edelstahlschlauch und Fingerhaken (004R).
- FR** Robinet de base à montage mural de 203 mm (B-0230-LN) avec fonction d'installation de la colonne montante « pop and lock » EasyInstall™. Cartouches ¼ de tour avec prévention des flux croisés, entrées à bride excentrique femelle ½ po. NPT (00AA), flexible en acier inoxydable B-0044-H2A de 1118 mm et crochet pour les doigts (004R).
- ITA** Gruppo Doccia biforo miscelatore a parete con interasse 203mm (B-0220-LN) con modalità di montaggio del tubo di supporto EasyInstall™ "pop and lock". Mollone di supporto del flessibile. Vitoni con apertura ¼ di giro con valvola di non-ritorno integrata., raccordi eccentrici flangiati femmina ½" NPT (00AA), flessibile in acciaio inossidabile B-0044-H2A L. 1118 mm e gancio per testa doccia.

Model Number	Inlet Type (D)	Installation / Mounting Hole Ø	Clearance (C)	Nozzle Length (L)	Nozzle Height (H)	Spray Valve	Spray Valve Flow Rate	AOF Flow Rate	Cartridge	Stocking Article in Europe
<ul style="list-style-type: none"> <p>💧 B-0133-B</p> <p>💧 B-2278 with vacuum breaker</p> <p>💧 B-2278-CR with vacuum breaker</p> <p>💧 B-2278-01 with vacuum breaker</p> <p>💧 B-2278-01-CR with vacuum breaker</p> 	Flanges w/ ½" NPT female inlets	Wall mount, N/A, 203mm distance	N/A	N/A	N/A	B-0107	4.35 L/min	N/A	Eterna compression	×
Eterna compression									×	
Cerama ceramic			×							
Full flow 20 L/min			Eterna compression	×						
			Cerama ceramic	×						

Spare Parts Kits and Accessories

Model	Description	Model	Description
B-0970-FE	¾" NPT Vacuum Breaker	000369-40	¾" NPT x 18" Riser
B-0970-FEZ	EasyInstall ¾" NPT Vacuum Breaker	EZ-K	EasyInstall Kit
002954-45	Shank Lock Nut	001065-45	O-Ring
000999-45	Brass Lock Washer	014200-45	Star Washer, Anti-Rotation
B-0425-M	½" NPT Supply Nipple Kit (2)	002711-40NS	Quarter-Turn Eterna Cartridge w/ Spring Check, Handle, Blue Index & Screw, LTC
010476-45	#27 Washer	012442-40NS	Quarter-Turn Eterna Cartridge w/ Spring Check, LTC
002987-40	Grip Handle	00AA	½" NPT Female Eccentric Flange
001014-45	Washer, Hose Barrel	001019-45	Coupling Nut Washer
B-0044-H2A	44" Flexible Stainless Steel Hose, Less Handle"	012443-40NS	Quarter-Turn Eterna Cartridge w/ Spring Check, RTC
000888-45	EasyInstall Overhead Spring	002712-40NS	Quarter-Turn Eterna Cartridge w/ Spring Check, Handle, Red Index & Screw, RTC
000821-40	Spring Body	001638-45NS	Lever Handle (New Style)



B-2279
(with vacuum breaker)

For more model variations, go to www.tsbrass.com

B-2279 Series Pre-Rinse Units

- EN** 203 mm deck mount mixing faucet with polished chrome plated brass body, 610 mm risers, 3/8" NPT pipe coupling, swivel elbow, 1727 mm flexible stainless steel hose with heat resistant handle, 2.46 L/min low flow angled spray valve, compression cartridges with spring checks, lever handles, 3/8" NPT vacuum breaker, 1/2" NPT supply nipple inlets, overhead swivel extension arm with balancer and two 152 mm adjustable wall brackets.
- ESP** Grifo mezclador de montaje sobre cubierta de 203 mm con cuerpo de latón cromado pulido, tubos de subida de 610 mm, acoplamiento de tubería de 3/8" NPT, codo giratorio, manguera flexible de acero inoxidable de 1727 mm con agarradera resistente al calor, válvula aspersora en ángulo de caudal bajo de 2.46 l/min, cartuchos de compresión con válvula de retención con resorte, manuales de palanca, interruptor de vacío de 3/8" NPT, entradas de nipple de suministro de 1/2" NPT, brazo de extensión elevado giratorio con nivelador y dos soportes de pared ajustables de 152 mm.
- GER** 203 mm Mischarmatur zur Aufsatzmontage mit poliertem, chromplattiertem, gebürsteten Hauptstück, 610 mm Steigleitungen, 3/8" NPT-Rohranschlussstück, schwenkbarem Ellbogenstück, biegsamem 1.727 mm Edelstahlschlauch mit hitzebeständigem Griff, abgewinkeltem Sprühventil mit geringem Fluss von 2,46 l/min, Kompressionskartuschen mit Stellfedern, Hebeln, 3/8" NPT Vakuumbrecher, 1/2" NPT-Einspeisungsnippel einlassen, drehbarem Überkopfverlängerungsarm mit Ausgleicher und zwei einstellbaren 152 mm Wandhalterungen.
- FR** Robinet mélangeur à montage sur le plan de travail de 203 mm avec corps en laiton chromé poli, colonnes montantes de 610 mm, raccord de tuyau de 3/8 po. NPT, coude pivotant, flexible en acier inoxydable de 1727 mm avec poignée résistante à la chaleur, vanne de pulvérisation coudée à faible débit de 2,46 l/mn, cartouches à compression avec clapets à ressort, poignées à levier, casse-vidé de 3/8 po. NPT, entrées pour mamelon d'alimentation 1/2 po. NPT, bras d'extension suspendu pivotant avec équilibreur et deux supports muraux réglables de 152 mm.
- ITA** Gruppo Doccia biforo miscelatore da banco con interasse 203mm, corpo in ottone cromato, tubi verticali h. 610mm con raccordo 3/8" NPT, curva a gomito girevole, flessibile in acciaio inox L. 1727 mm con impugnatura resistente al calore, Testa doccia a bassa portata (2,46 l/min) con corpo erogatore angolato, vitoni a compressione, maniglie a leva, rompivuoto 3/8" NPT, raccordi di entrata 1/2" NPT, braccio superiore orientabile con bilanciatore. 2 supporti a parete regolabili L. 152mm.

Model Number	Inlet Type (D)	Installation / Mounting Hole Ø	Clearance (C)	Nozzle Length (L)	Nozzle Height (H)	Spray Valve	Spray Valve Flow Rate	AOF Flow Rate	Cartridge	Stocking Article in Europe
B-2279 with vacuum breaker	Flanges w/ 1/2" NPT female inlets	Deck mount, 203 mm distance	333 mm	N/A	N/A	B-0107-C35 angle spray valve	2.46 L/min	N/A	Eterna compression	x
B-2279-CR with vacuum breaker			333 mm						Cerama ceramic	x

Spare Parts Kits and Accessories


Model	Description	Model	Description
005311-40	Balancer	012442-40NS	Quarter-Turn Eterna Cartridge w/ Spring Check, LTC
010476-45	#27 Washer	001019-45	Coupling Nut Washer
053A	Adapter, 3/8" NPT Male	00AA	1/2" NPT Female Eccentric Flange
B-0970-FE	3/8" NPT Vacuum Breaker	B-0425-M	1/2" NPT Supply Nipple Kit (2)
002535-25	3/8" Close Nipple	002954-45	Shank Lock Nut
001355-40	Elbow, 3/8" NPT	000999-45	Brass Lock Washer
005252-20	Plated Steel Swivel Arm	012443-40NS	Quarter-Turn Eterna Cartridge w/ Spring Check, RTC
B-0109-01	6" Wall Bracket	002712-40NS	Quarter-Turn Eterna Cartridge w/ Spring Check, Handle, Red Index & Screw, RTC
EZ-K	EasyInstall Kit	001638-45NS	Lever Handle (New Style)
001065-45	O-Ring	B-0068-H2A	68" Flexible Stainless Steel Hose, Less Handle
014200-45	Star Washer, Anti-Rotation	001014-45	Washer, B-0100 Hose Barrel
002711-40NS	Quarter-Turn Eterna Cartridge w/ Spring Check, Handle, Blue Index & Screw, LTC	002987-40	Grip Handle

The T&S Brass **EasyInstall** Low Profile Pre-Rinse Line


The T&S Pre-Rinse Solution For Limited Kitchen Space

- EasyInstall design saves significant installation time
- B-0109-01 152 mm wall bracket for added stability
- Add-on faucet with swing nozzle for pot and kettle filling convenience
- 2019 DOE Compliant water-conserving pre-rinse spray valves


Base Faucets



B-0113 style single hole base faucet




B-0123 style deck-mount with 203 mm centers base faucet




B-0133 style wall-mount with 203 mm centers base faucet

Add-On Faucet Nozzles




152 mm Swing Nozzle




203 mm Swing Nozzle


Spray Valves




B-0107



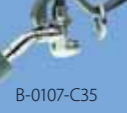
B-0107-035



B-0107-J




B-0107-C




B-0107-C35

Vacuum Breaker Options




B-0970-FEZ Vacuum Breaker


Faucet Handles



Lever Handle



102 mm Wrist-Action Handle



Club Handle

Examples of Available Models

MPY-2DCN-06 – Single deck-mount base faucet, add-on faucet, 152 mm swing nozzle, compact spring and hose, B-0107-C spray valve, 152 mm wall bracket, club handles

MPZ-2DCN-06 – Single deck-mount base faucet, add-on faucet, 152 mm swing nozzle, compact spring and hose, B-0107 spray valve, 152 mm wall bracket, club handles

MPZ-2DLN-06 – Single deck-mount base faucet, add-on faucet, 152 mm swing nozzle, compact spring and hose, B-0107 spray valve, 152 mm wall bracket, lever handles

MPZ-8WCN-06 – 203 mm Wall-mount mixing faucet, add-on faucet, 152 mm swing nozzle, compact spring and hose, B-0107 spray valve, 152 mm wall bracket, club handles

MPZ-8WLN-06 – 203 mm Wall-mount mixing faucet, add-on faucet, 152 mm swing nozzle, compact spring and hose, B-0107 spray valve, 152 mm wall bracket, lever handles

NEW KITS!

MPZ-KIT-LN06 – Retrofit kit with B-0107, Eterna cartridges, add-on faucet with 152 mm swing nozzle and lever handles

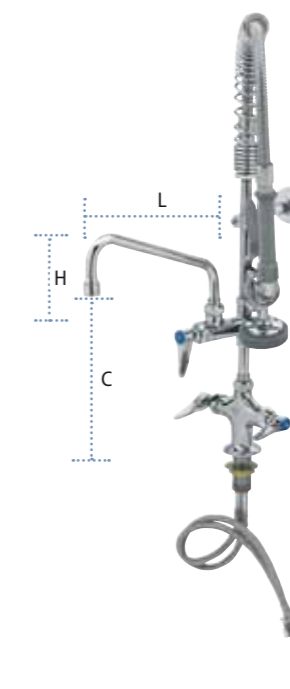
MPZ-KIT-LN06-CR – Retrofit kit with B-0107, Cerama cartridges, add-on faucet with 152 mm swing nozzle and lever handles



For more model variations, go to www.tsbrass.com



MPZ-2DLN-06



MPZ-2DLN-08

For more model variations, go to www.tsbrass.com

MPx-2D Series Low Profile Pre-Rinse Units

- Ⓔ Single deck-mount base faucet, add-on faucet, swing nozzle, compact spring and hose, spray valve, 152 mm wall bracket, handles
- Ⓔ Grifo de base para montaje sobre cubierta individual, grifo complementario, boquilla giratoria, resorte y manguera compactos, válvula aspersora, soporte de pared de 152 mm, manuales.
- Ⓔ Einzel-Aufsatzwasserhahn, aufsetzbarer Wasserhahn, Schwenkdüse, kompakte Feder und Schlauch, Sprühventil, 152 mm Wandhalterung, Hebel
- Ⓔ Robinet de base simple à montage sur le plan de travail, robinet d'appoint, buse pivotante, ressort et flexible compacts, douchette, support mural de 152 mm, poignées
- Ⓔ Rubinetto monoforo miscelatore da banco, rubinetto sul tubo, canna orientabile, mollone e flessibile compatti, supporto a parete L. 152mm, maniglie

Model Number	Inlet Type (D)	Installation / Mounting Hole Ø	Clearance (C)	Nozzle Length (L)	Nozzle Height (H)	Spray Valve	Spray Valve Flow Rate	AOF Flow Rate	Cartridge	Stocking Article in Europe
MPZ-2DLN-08	½" NPSM male	Deck mount, 38 mm	260 mm	203 mm	144 mm	B-0107	4.35 L/min	Full flow 20 L/min	Eterna compression	×
MPZ-2DLN-08-CR									Eterna compression	×
MPY-2DCN-08						B-0107-C	2.46 L/min		Cerama ceramic	×
MPY-2DCN-08-CR									Eterna compression	×
MPW-2DCN-06									B-0107-C35	2.46 L/min

Low Profile Pre-Rinse Unit Configurator – Build Your Own Low Profile Pre-Rinse!

Spray Valve

Z B-0107
Y B-0107-C
X B-0107-035
W B-0107-C35
L B-0107-J35
J B-0107-J

PRU Body

2D Single Hole Base (B-0113 style)
8D Deck mount with 8" centers (B-0123 style)
8W Wall Mount with 8" centers (B-0133 style)

Handle

L Lever
W 4" Wrist Action
C Club (decorative)

Add-On Faucet Nozzle

06 6" Swing Nozzle
08 8" Swing Nozzle

Cerama Cartridge

CR Cerama cartridge

Note: The Eterna compression cartridge is the default cartridge installed in the Low Profile Pre-Rinse Unit.

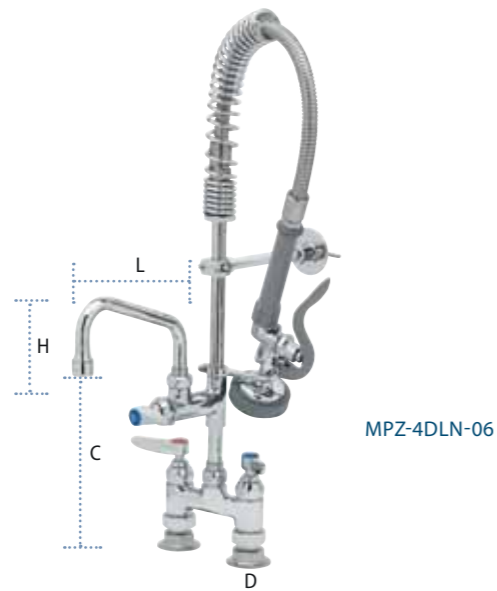
Vacuum Breaker

V Atmospheric Vacuum Breaker (B-0970-FEZ)
N No Vacuum Breaker

Spare Parts Kits and Accessories

Model	Description
010476-45	#27 Washer
002987-40	Grip Handle
001014-45	Washer, B-0100 Hose Barrel
B-0024-H2A	24" Flexible Stainless Steel Hose, Less Handle
016795-45	Compact Spring
000821-40	Spring Body
EZ-K	EasyInstall Kit: Nut, Bushing, O-Ring & Lock Washer
001065-45	O-Ring
014200-45	Star Washer, Anti-Rotation

Model	Description
012442-40NS	Quarter-Turn Eterna Cartridge w/ Spring Check, LTC
001638-45NS	Lever Handle (New Style)
002711-40NS	Quarter-Turn Eterna Cartridge w/ Spring Check, Handle, Blue Index & Screw, LTC
012534-45	18" Flexible Connector Hose (2)
002712-40NS	Quarter-Turn Eterna Cartridge w/ Spring Check, Handle, Red Index & Screw, RTC
012443-40NS	Quarter-Turn Eterna Cartridge w/ Spring Check, RTC
B-0155-LNEZ	EasyInstall Add-On Faucet, Less Nozzle
B-PT	Full Flow Stream Regulator



For more model variations, go to www.tsbrass.com

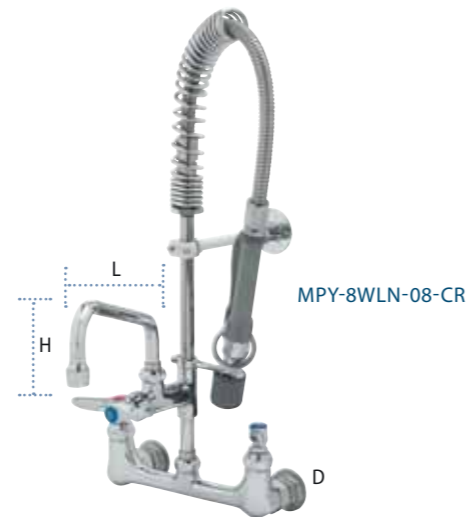
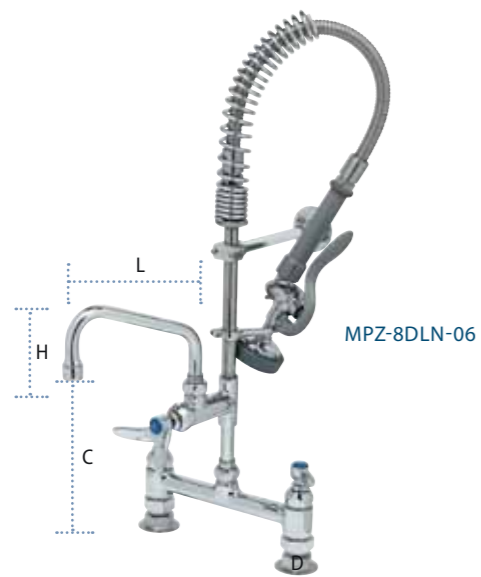
MPx-4 Series Low Profile Pre-Rinse Units

- EN** 102 mm deck mount mixing faucet with polished chrome plated brass body, add-on faucet with compression cartridge with spring check and lever handle, 153 or 204 mm swing nozzle with stream regulator outlet, 8" (204 mm) riser, 24" 610 mm flexible stainless steel hose with heat resistant handle, spray valve, compression cartridges with spring checks, lever handles, ½" NPT female inlet, 152 mm adjustable wall bracket, spray valve holder and overhead spring.
- ESP** Grifo mezclador de montaje sobre cubierta de 102 mm con cuerpo de latón cromado pulido, grifo complementario con cartucho de compresión con válvula de retención con resorte y maneral de palanca, boquilla giratoria de 153 o 204 mm con salida reguladora de caudal, tubo de subida de 8" (204 mm), manguera flexible de acero inoxidable de 24" (610 mm) con agarradera resistente al calor, válvula aspersiona, cartuchos de compresión con válvula de retención con resorte, manerales de palanca, entrada hembra de ½" NPT, soporte de pared ajustable de 152 mm, soporte para válvula aspersiona y resorte para grifo.
- GER** 102 mm Aufsatz-Mischer mit poliertem, chromplattiertem, gebürstetem Hauptstück, Aufsatzwasserhahn mit Kompressionskartusche mit Stellfeder und Hebel, 153 oder 204 mm Schwenkdüse mit Flussreglerauslass, 8" (204 mm) Steigleitung, biegsamer 24" 610 mm Edeltahlschlauch mit hitzebeständigem Griff, Sprühventil, Kompressionskartuschen mit Stellfedern, Hebeln, ½" NPT-Einlass, weiblich, einstellbare 152 mm Wandhalterung, Sprühventilhalterung und Überkopf-Feder.
- FR** Robinet mélangeur à montage sur le plan de travail de 102 mm avec corps en laiton chromé poli, robinet d'appoint avec cartouche à compression avec ressort de retenue et poignée à levier, buse pivotante de 153 ou 204 mm avec sortie régulatrice de débit, colonne montante de 8 po. (204 mm), flexible en acier inoxydable de 24 po. (610 mm) avec poignée résistante à la chaleur, valve de pulvérisation, cartouches à compression avec ressort de retenue, poignées à levier, entrée femelle ½ po. NPT, support mural réglable de 152 mm, support de valve de pulvérisation et ressort suspendu.
- ITA** Rubinetto biforo miscelatore da banco con interasse L. 102 mm, corpo in ottone cromato, rubinetto sul tubo con vitone a compressione e maniglia a leva, canna orientabile L. 153 o 204 mm con regolatore di portata, tubo di supporto H. 8" (204 mm), tubo flessibile in acciaio inossidabile da L. 610 mm con maniglia resistente al calore, testa doccia, cartucce a compressione, maniglie a leva, raccordi femmina ½" NPT, supporto a parete regolabile L. 152 mm, gancio doccia e mollone di supporto.

Model Number	Inlet Type (D)	Installation / Mounting Hole Ø	Clearance (C)	Nozzle Length (L)	Nozzle Height (H)	Spray Valve	Spray Valve Flow Rate	AOF Flow Rate	Cartridge	Stocking Article in Europe
MPZ-4DLN-06	½" NPT female	Deck mount, 102 mm distance	241 mm	153 mm	129 mm	B-0107	4.35 L/min	Full flow 20 L/min	Eterna compression	×
MPJ-4CLN-08-CR	½" NPT male		206 mm	204 mm	144 mm	B-0107-J	4.05 L/min		Cerama ceramic	×

Spare Parts Kits and Accessories

Model	Description	Model	Description
010476-45	#27 Washer	014200-45	Star Washer, Anti-Rotation
002987-40	Grip Handle	001638-45NS	Lever Handle (New Style)
001014-45	Washer, B-0100 Hose Barrel	012442-40NS	Quarter-Turn Eterna Cartridge w/ Spring Check, LTC
B-0024-H2A	24" Flexible Stainless Steel Hose, Less Handle	002711-40NS	Quarter-Turn Eterna Cartridge w/ Spring Check, Handle, Blue Index & Screw, LTC
016795-45	Compact Spring	001019-45	Coupling Nut Washer
000821-40	Spring Body	00AA	½" NPT Female Eccentric Flange
B-0155-LNEZ	EasyInstall Add-On Faucet, Eterna Cartridge & Lever Handle, Less Nozzle	002712-40NS	Quarter-Turn Eterna Cartridge w/ Spring Check, Handle, Red Index & Screw, RTC
EZ-K	EasyInstall Kit: Nut, Bushing, O-Ring & Lock Washer	012443-40NS	Quarter-Turn Eterna Cartridge w/ Spring Check, RTC
001065-45	O-Ring	B-PT	Full Flow Stream Regulator, 55/64-27



For more model variations, go to www.tsbrass.com

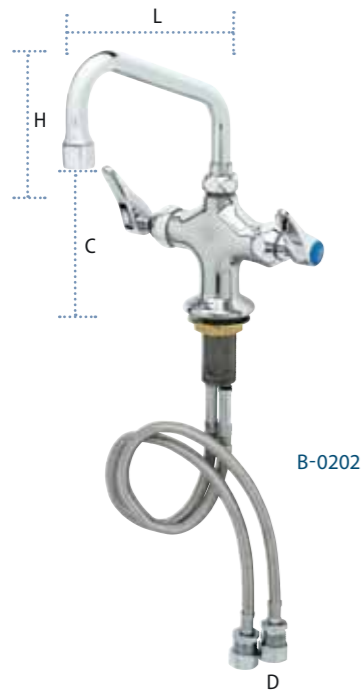
MPx- Series Low Profile Pre-Rinse Units

- EN** 203 mm mixing faucet with polished chrome plated brass body, add-on faucet with compression or ceramic cartridge and lever handle, various lengths swing nozzles with stream regulator outlet, 203 mm riser, 610 mm flexible stainless steel hose with heat resistant handle, various spray valve options, compression cartridges with spring checks, lever handles, 1/2" NPT female inlet, 152 mm adjustable wall bracket, spray valve holder and overhead spring.
- ESP** Grifo mezclador de 203 mm con cuerpo de latón cromado pulido, grifo complementario con cartucho de compresión o de cerámica y maneral de palanca, boquillas giratorias de varias longitudes con salida reguladora de caudal, tubo de subida de 203 mm, manguera flexible de acero inoxidable de 610 mm con agarradera resistente al calor, varias opciones de válvulas aspersoras, cartuchos de compresión con válvula de retención con resorte, manerales de palanca, entrada hembra de 1/2" NPT, soporte de pared ajustable de 152 mm, soporte para válvula aspersora y resorte.
- GER** 203 mm Aufsatz-Mischer mit poliertem, chromplattiertem, gebürstetem Hauptstück, Aufsatzwasserhahn mit Kompressions- oder Keramik-kartusche und Hebel, Schwenkdüsen in verschiedenen Längen mit Flussreglerauslass, 203 mm Steigleitung, biegsamem 610 mm Edeltahlschlauch mit hitzebeständigem Hebel, verschiedenen Sprühdüsenoptionen, Kompressionskartuschen mit Stellfedern, Hebeln, 1/2" NPT-Einlass, weiblich, einstellbarer 152 mm Wandhalterung, Sprühdüsenhalterung und Überkopf-Feder.
- FR** Robinet mélangeur à montage sur le plan de travail de 203 mm avec corps en laiton chromé poli, robinet d'appoint avec cartouche à compression ou céramique et poignée à levier, buses pivotantes de différentes longueurs avec sortie régulatrice de débit, colonne montante de 203 mm, flexible en acier inoxydable de 610 mm avec poignée résistante à la chaleur, diverses options de valve de pulvérisation, cartouches à compression avec ressort de retenue, poignées à levier, entrée femelle 1/2 po. NPT, support mural réglable de 152 mm, support de valve de pulvérisation et ressort suspendu.
- ITA** Rubinetto biforo miscelatore da banco con interasse L. 203 mm, corpo in ottone cromato, rubinetto sul tubo con vitone a compressione o ceramico e maniglia a leva, canna orientabile di diverse lunghezze con regolatore di portata, tubo di supporto H. 203mm, tubo flessibile in acciaio inossidabile da L. 610 mm con maniglia resistente al calore, testa doccia disponibile in diversi modelli, vitoni a compressione, maniglie a leva, raccordi femmina 1/2" NPT, supporto a parete regolabile L. 152 mm, gancio doccia e mollone di supporto.

Model Number	Inlet Type (D)	Installation / Mounting Hole Ø	Clearance (C)	Nozzle Length (L)	Nozzle Height (H)	Spray Valve	Spray Valve Flow Rate	AOF Flow Rate	Cartridge	Stocking Article in Europe
MPZ-8DLN-06	1/2" NPT female	Deck mount, 203 mm distance	240 mm	153 mm	129 mm	B-0107	4.35 L/min	Full flow 20 L/min	Eterna compression	×
MPJ-8CLN-08-CR	1/2" NPT male		206 mm			B-0107-J	4.05 L/min		Cerama ceramic	×
MPZ-8WLN-08	1/2" NPT female	Wall mount, 203 mm distance	N/A	203 mm	144 mm	B-0107	4.35 L/min		Eterna compression	×
MPZ-8WLN-08-CR						B-0107	4.35 L/min		Cerama ceramic	×
MPY-8WLN-12-4C				B-0107-C	2.46 L/min	Cerama ceramic	×			
MPY-8WLN-08-CR				B-0107-C	2.46 L/min	Cerama ceramic	×			
MPW-8WWN-08-CR				203 mm	144 mm	B-0107-C35	2.46 L/min	Cerama ceramic	×	

Spare Parts Kits and Accessories

Model	Description	Model	Description
010476-45	#27 Washer	014200-45	Star Washer, Anti-Rotation
002987-40	Grip Handle	000922-45	Lever Handle Screw
001014-45	Washer, B-0100 Hose Barrel	009331-41	Decorative Club Handle Kit, Cold
B-0024-H2A	24" Flexible Stainless Steel Hose, Less Handle	012442-40NS	Quarter-Turn Eterna Cartridge w/ Spring Check, LTC
016795-45	Compact Spring	00AA	1/2" NPT Female Eccentric Flange
000821-40	Spring Body	001019-45	Coupling Nut Washer
078X	Nipple, 3/8" NPT x 8"	012443-40NS	Quarter-Turn Eterna Cartridge w/ Spring Check, RTC
EZ-K	EasyInstall Kit	009332-41	Decorative Club Handle Kit, Hot
001065-45	O-Ring	B-PT	Full Flow Stream Regulator, 55/64-27



Spare Parts Kits and Accessories

Model	Description
001638-45NS	Lever Handle (New Style)
000925-45	Lab Handle Screw
059X	6" Swing Nozzle
B-PT	Full Flow Stream Regulator
009538-45	Swivel Washer
001074-45	O-Ring
011429-45	Swivel Sleeves (2)
014200-45	Star Washer, Anti-Rotation
012442-40NS	Quarter-Turn Eterna Cartridge w/ Spring Check, LTC
002711-40NS	Quarter-Turn Eterna Cartridge w/ Spring Check, Handle, Blue Index & Screw, LTC
012534-45	18" Flexible Supply Hose (2)
002712-40NS	Quarter-Turn Eterna Cartridge w/ Spring Check, Handle, Red Index & Screw, RTC
012443-40NS	Quarter-Turn Eterna Cartridge w/ Spring Check, RTC

For more model variations, go to www.tsbrass.com

B-0202 Faucet

- EN Single hole deck mount mixing faucet with polished chrome plated brass body, 153 mm swing nozzle with stream regulator outlet, compression cartridges with spring checks, lever handles and 457 mm flexible stainless steel supply hoses with 1/2" NPSM / 5/8" O.D. compression connections.
- ESP Grifo mezclador de montaje sobre cubierta con un solo orificio con cuerpo de latón cromado pulido, boquilla giratoria de 153 mm con salida reguladora de caudal, cartuchos de compresión con válvula de retención con resorte, manuales de palanca y mangueras de suministro de acero inoxidable flexibles de 457 mm con conexiones de compresión de 1/2" NPSM / 5/8" de D.E.
- GER Einloch-Aufsatzmischer mit poliertem, chromplattiertem, gebürstetem Hauptstück, 153 mm Schwenkdüse mit Flussreglerauslass, Kompressionskartuschen mit Stellfedern, Hebeln und biegsamen 457 mm Edelstahl-Einspeisungsschläuchen mit 1/2" NPSM / 5/8" O.D. Kompressionsanschlüssen.
- FR Robinet mélangeur monotrou à montage sur le plan de travail avec corps en laiton chromé poli, buse orientable de 153 mm avec sortie régulatrice de débit, cartouches à compression avec clapets à ressort, poignées à levier et flexibles d'alimentation de 457 mm en acier inoxydable avec raccords à compression 1/2 po. NPSM / 5/8 po. de D.E.
- ITA Rubinetto miscelatore monoforo da banco con corpo in ottone cromato, canna orientabile L. 153 mm con regolatore di portata, cartucce a compressione, maniglie a leva e flessibili di alimentazione in acciaio inossidabile L. 457 mm con attacchi a compressione 1/2" NPSM / 5/8" O.D.

Model Number	Hybrid Pic	Inlet Type (D)	Installation / Mounting Hole Ø	Clearance (C)	Nozzle Length (L)	Nozzle Height (H)	Flow Rate	Cartridge	Temperature	Stocking Article in Europe
B-0202		5/8" O.D. copper tubing, 1/2" NPSM male	Deck mount, 38 mm	131 mm	153 mm	78 mm	Full flow 32 L/min	Eterna compression	Mixing	×



Spare Parts Kits and Accessories

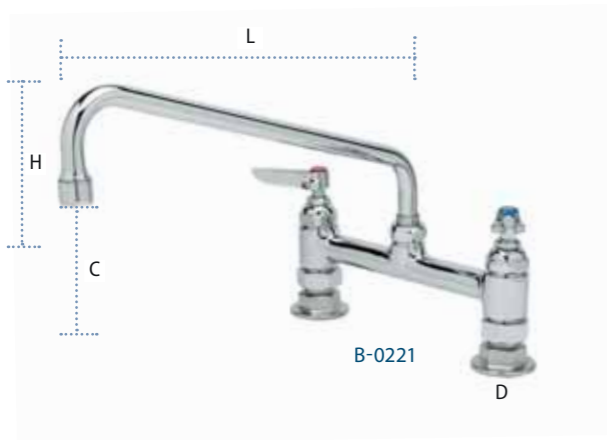
Model	Description
B-PT	Stream Regulator Outlet
059X	6" Swing Nozzle
009538-45	Swivel Washer
011429-45	Swivel Sleeves (2)
001074-45	O-Ring
014200-45	Star Washer, Anti-Rotation
019639-40	Quarter-Turn Eterna Cartridge RTC w/ Spring Check, Handle, Blue Index & Screw
012443-40NS	Quarter-Turn Eterna Cartridge w/ Spring Check, RTC
001638-45NS	Lever Handle (New Style)
000925-45	Lab Handle Screw
018506-19NS	Blue Button Index, Press-in
000999-45	Brass Lock Washer
002954-45	Shank Lock Nut
150A	1/4" NPT Tailpiece & Nut

For more model variations, go to www.tsbrass.com

B-0207 Faucet

- EN Single hole single temperature deck mount faucet with polished chrome plated brass body, 153 mm swing nozzle with stream regulator outlet, compression cartridge with spring check, lever handle, and 1/2" NPSM male inlet.
- ESP Grifo de montaje sobre cubierta de un solo orificio, de una sola temperatura, con cuerpo de latón cromado pulido, boquilla giratoria de 153 mm con salida reguladora de caudal, cartucho de compresión con válvula de retención con resorte, manuales de palanca y entrada macho de 1/2" NPSM.
- GER Einloch-Eintemperatur-Aufsatzwasserhahn mit poliertem, chromplattiertem, gebürstetem Hauptstück, 153 mm Schwenkdüse mit Flussreglerauslass, Kompressionskartusche mit Stellfeder, Hebel und 1/2" NPSM-Einlass, männlich.
- FR Robinet monotrou à température unique à montage sur le plan de travail avec corps en laiton chromé poli, buse orientable de 153 mm avec sortie régulatrice de débit, cartouche à compression avec clapet à ressort, poignée à levier et entrée mâle 1/2 po. NPSM.
- ITA Rubinetto monoforo da banco, ad un'acqua, corpo in ottone cromato, canna orientabile L. 153 mm con regolatore di portata, vitone a compressione, maniglia a leva e raccordo maschio 1/2" NPSM.

Model Number	Hybrid Pic	Inlet Type (D)	Installation / Mounting Hole Ø	Clearance (C)	Nozzle Length (L)	Nozzle Height (H)	Flow Rate	Cartridge	Temperature	Stocking Article in Europe
B-0207		1/2" NPSM male	Deck mount, 25 mm	143 mm	153 mm	78 mm	Full flow 20 L/min	Eterna compression	Single	×



Spare Parts Kits and Accessories

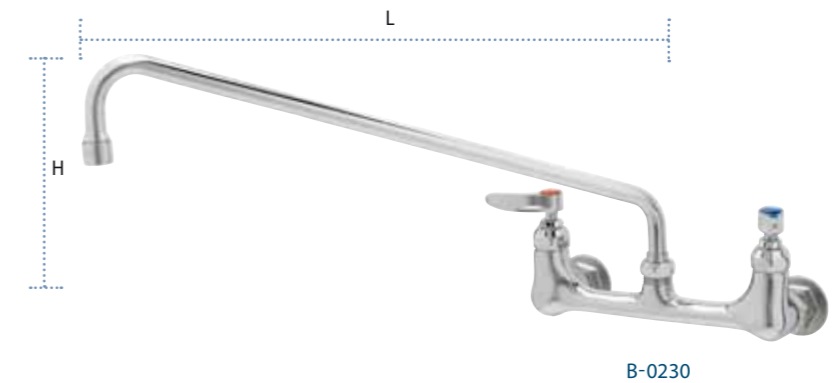
Model	Description
B-PT	Full Flow Stream Regulator, 55/64-27
062X	12" Swing Nozzle
009538-45	Swivel Washer
011429-45	Swivel Sleeves (2)
001074-45	O-Ring
014200-45	Star Washer, Anti-Rotation
018506-19NS	Blue Button Index, Press-in
000925-45	Lab Handle Screw
002711-40NS	Quarter-Turn Eterna Cartridge w/ Spring Check, Handle, Blue Index & Screw, LTC
012442-40NS	Quarter-Turn Eterna Cartridge w/ Spring Check, LTC
001019-45	Coupling Nut Washer
00AA	1/2" NPT Female Eccentric Flange
002712-40NS	Quarter-Turn Eterna Cartridge w/ Spring Check, Handle, Red Index & Screw, RTC
012443-40NS	Quarter-Turn Eterna Cartridge w/ Spring Check, RTC
001193-19NS	Red Button Index, Press-in

For more model variations, go to www.tsbrass.com

B-0221 Faucet

- EN** 203 mm deck mount mixing faucet with polished chrome plated brass body, 305 mm swing nozzle with stream regulator outlet, compression cartridges with spring checks, lever handles and 1/2" NPT female inlets.
- ESP** Grifo mezclador de montaje sobre cubierta de 203 mm con cuerpo de latón cromado pulido, boquilla giratoria de 305 mm con salida reguladora de caudal, cartuchos de compresión con válvula de retención con resorte, manerales de palanca y entradas hembra de 1/2" NPT.
- GER** 203 mm Aufsatz-Mischer mit poliertem, chromplattiertem, gebürstetem Hauptstück, 305 mm Schwenkdüse mit Flussreglerauslass, Kompressionskartuschen mit Stellfedern, Hebeln und 1/2" NPT-Einlässen, weiblich.
- FR** Robinet mélangeur à montage sur le plan de travail de 203 mm avec corps en laiton chromé poli, buse orientable de 305 mm avec sortie régulatrice de débit, cartouches à compression avec clapets à ressort, poignées à levier et entrées femelles 1/2 po. NPT.
- ITA** Rubinetto miscelatore biforo da banco con interasse 203 mm, corpo in ottone cromato, canna orientabile L. 305 mm con regolatore di portata, vitoni a compressione, maniglie a leva e raccordi femmina 1/2" NPT.

Model Number	Hybrid Pic	Inlet Type (D)	Installation / Mounting Hole Ø	Clearance (C)	Nozzle Length (L)	Nozzle Height (H)	Flow Rate	Cartridge	Temperature	Stocking Article in Europe
B-0221		1/2" NPT female	Deck mount, 203 mm distance	174 mm	305 mm	80 mm	Full flow 20 L/min	Eterna compression	Mixing	x



For more model variations, go to www.tsbrass.com

B-0230 Faucet

- EN** 203 mm wall mount mixing faucet with polished chrome plated brass body, 457 mm swing nozzle with stream regulator outlet, compression cartridges with spring checks, lever handles and 1/2" NPT female inlets.
- ESP** Grifo mezclador para montaje en pared de 203 mm con cuerpo de latón cromado pulido, boquilla giratoria de 457 mm con salida reguladora de caudal, cartuchos de compresión con válvula de retención con resorte, manerales de palanca y entradas hembra de 1/2" NPT.
- GER** 203 mm Mischer zur Wandmontage mit poliertem, chromplattiertem, gebürstetem Hauptstück, 457 mm Schwenkdüse mit Flussreglerauslass, Kompressionskartuschen mit Stellfedern, Hebeln und 1/2" NPT-Einlässen, weiblich.
- FR** Robinet mélangeur à montage mural de 203 mm avec corps en laiton chromé poli, buse orientable de 457 mm avec sortie régulatrice de débit, cartouches à compression avec clapets à ressort, poignées à levier et entrées femelles 1/2 po. NPT.
- ITA** Rubinetto miscelatore biforo a parete con interasse 203 mm, corpo in ottone cromato, canna orientabile L. 457 mm con regolatore di portata, vitoni a compressione, maniglie a leva e raccordi femmina 1/2" NPT.

Model Number	Hybrid Pic	Inlet Type (D)	Installation / Mounting Hole Ø	Clearance (C)	Nozzle Length (L)	Nozzle Height (H)	Flow Rate	Cartridge	Temperature	Stocking Article in Europe
B-0230		1/2" NPT female	Wall mount, 203 mm distance	N/A	458 mm	79 mm	Full flow 20 L/min	Eterna compression	Mixing	x

Spare Parts Kits and Accessories

Model	Description	Model	Description
B-PT	Full Flow Stream Regulator, 55/64-27	002711-40NS	Quarter-Turn Eterna Cartridge, LTC w/ Spring Check, Handle, Blue Index & Screw
065X	18" Swing Nozzle	012442-40NS	Quarter-Turn Eterna Cartridge, LTC w/Spring Check
009538-45	Swivel Washer	001019-45	Coupling Nut Washer
011429-45	Swivel Sleeves (2)	00AA	1/2" NPT Female Eccentric Flange
001074-45	O-Ring	012443-40NS	Quarter-Turn Eterna Cartridge, RTC w/Spring Check
014200-45	Star Washer, Anti-Rotation	001638-45NS	Lever Handle (New Style)
018506-19NS	Blue Button Index, Press-in	002712-40NS	Quarter-Turn Eterna Cartridge, RTC w/Spring Check, Handle, Red Index & Screw
000925-45	Lab Handle Screw	001193-19NS	Red Button Index, Press-in



B-0231

For more model variations, go to www.tsbrass.com

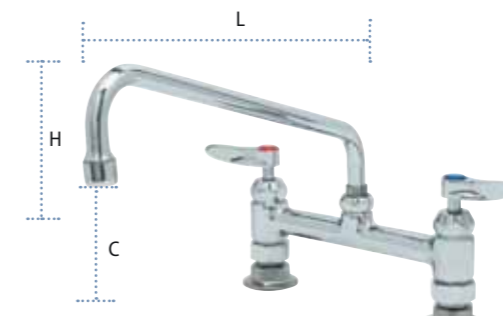
B-0231 Faucet

- EN 203 mm wall mount mixing faucet with polished chrome plated brass body, 305 mm swing nozzle with stream regulator outlet, compression cartridges with checks, lever handles, and 1/2" NPT female inlets.
- ESP Grifo mezclador para montaje en pared de 203 mm con cuerpo de latón cromado pulido, boquilla giratoria de 305 mm con salida reguladora de caudal, cartucho de compresión con válvula de retención con resorte, manerales de palanca y entradas hembra de 1/2" NPSM.
- GER 203 mm Mischer zur Wandmontage mit poliertem, chromplattiertem, gebürstetem Hauptstück, 305 mm Schwenkdüse mit Flussreglerauslass, Kompressionskartuschen mit Stellfedern, Hebeln und 1/2" NPT-Einlässen, weiblich.
- FR Robinet mélangeur à montage mural de 203 mm avec corps en laiton chromé poli, buse orientable de 305 mm avec sortie régulatrice de débit, cartouches à compression avec clapets, poignées à levier et entrées femelles 1/2 po. NPT.
- ITA Rubinetto miscelatore biforo a parete con interasse 203 mm, corpo in ottone cromato, canna orientabile L. 305 mm con regolatore di portata, vitoni a compressione, maniglie a leva e raccordi femmina 1/2" NPT.

Model Number	Hybrid Pic	Inlet Type (D)	Installation / Mounting Hole Ø	Clearance (C)	Nozzle Length (L)	Nozzle Height (H)	Flow Rate	Cartridge	Temperature	Stocking Article in Europe
B-0231		1/2" NPT female	Wall mount, 203 mm distance	N/A	305 mm	79 mm	Full flow 20 L/min	Eterna compression	Mixing	x

Spare Parts Kits and Accessories

Model	Description	Model	Description
001193-19NS	Red Button Index, Press-in	001019-45	Coupling Nut Washer
B-PT	Full Flow Stream Regulator, 55/64-27	00AA	1/2" NPT Female Eccentric Flange
062X	12" Swing Nozzle	012442-40NS	Quarter-Turn Eterna Cartridge w/ Spring Check, LTC
009538-45	Swivel Washer	001638-45NS	Lever Handle (New Style)
011429-45	Swivel Sleeves (2)	000925-45	Lab Handle Screw
001074-45	O-Ring	018506-19NS	Blue Button Index, Press-in
014200-45	Star Washer, Anti-Rotation	002712-40NS	Quarter-Turn Eterna Cartridge w/ Spring Check, Handle, Red Index & Screw, RTC
002711-40NS	Quarter-Turn Eterna Cartridge w/ Spring Check, Handle, Blue Index & Screw, LTC	012443-40NS	Quarter-Turn Eterna Cartridge w/ Spring Check, RTC



B-2280

For more model variations, go to www.tsbrass.com

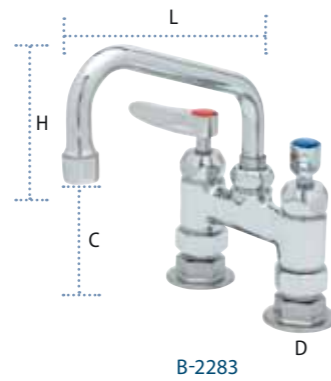
B-2280 Faucet

- EN 203 mm deck mount mixing faucet with polished chrome plated brass body, 305 mm swing nozzle with stream regulator outlet, compression or ceramic cartridges with spring checks, lever handles, 1/2" NPT female inlets and 1/2" NPT supply nipple kit.
- ESP Grifo mezclador de montaje sobre cubierta de 203 mm con cuerpo de latón cromado pulido, boquilla giratoria de 305 mm con salida reguladora de caudal, cartuchos de compresión o de cerámica con válvulas de retención con resorte, manerales de palanca, entradas hembra de 1/2" NPT y kit de nipples de suministro de 1/2" NPT.
- GER 203 mm Aufsatz-Mischer mit poliertem, chromplattiertem, gebürstetem Hauptstück, 305 mm Schwenkdüse mit Flussreglerauslass, Kompressions- oder Keramikkartuschen mit Stellfedern, Hebeln, 1/2" NPT-Einlässen, weiblich sowie 1/2" NPT-Einlassnippel-Set.
- FR Robinet mélangeur à montage sur le plan de travail de 203 mm avec corps en laiton chromé poli, buse orientable de 305 mm avec sortie régulatrice de débit, cartouches à compression ou céramique avec clapets à ressort, poignées à levier, entrées femelles 1/2 po. NPT et kit de mamelon d'alimentation de 1/2 po. NPT.
- ITA Rubinetto miscelatore biforo da banco con interasse 203 mm, corpo in ottone cromato, canna orientabile L. 305 mm con regolatore di portata, vitoni a compressione, maniglie a leva e raccordi femmina 1/2" NPT.

Model Number	Hybrid Pic	Inlet Type (D)	Installation / Mounting Hole Ø	Clearance (C)	Nozzle Length (L)	Nozzle Height (H)	Flow Rate	Cartridge	Temperature	Stocking Article in Europe
B-2280		1/2" NPT female, 1/2" NPT supply nipple kit included	Deck mount, 25 mm, 203 mm distance	174 mm	305 mm	79 mm	Full flow 20 L/min	Eterna compression	Mixing	x
B-2280-CR								Cerama ceramic		x

Spare Parts Kits and Accessories

Model	Description	Model	Description
B-PT	Full Flow Stream Regulator, 55/64-27"	002711-40NS	Quarter-Turn Eterna Cartridge w/ Spring Check, Handle, Blue Index & Screw, LTC
062X	12" Swing Nozzle	001019-45	Coupling Nut Washer
009538-45	Swivel Washer	00AA	1/2" NPT Female Eccentric Flange
011429-45	Swivel Sleeves (2)	B-0425-M	1/2" NPT Male Supply Nipple Kit (2)
001074-45	O-Ring	000999-45	Brass Lock Washer
014200-45	Star Washer, Anti-Rotation	002954-45	Shank Lock Nut
001638-45NS	Lever Handle (New Style)	012443-40NS	Quarter-Turn Eterna Cartridge w/ Spring Check, RTC
012442-40NS	Quarter-Turn Eterna Cartridge w/ Spring Check, LTC	002712-40NS	Quarter-Turn Eterna Cartridge w/ Spring Check, Handle, Red Index & Screw, RTC



B-2283

For more model variations, go to www.tsbrass.com

B-2283 Faucet

- EN 102 mm deck mount mixing faucet with polished chrome plated brass body, 152 mm swing nozzle with stream regulator outlet, compression cartridges with spring checks, lever handles and 1/2" NPT male supply nipples.
- ESP Grifo mezclador de montaje en cubierta de 102 mm con cuerpo de latón cromado pulido, boquilla giratoria de 152 mm con salida reguladora de caudal, cartuchos de compresión con válvulas de retención con resorte, manerales de palanca y niples de suministro machos de 1/2" NPT.
- GER 102 mm Aufsatz-Mischer mit poliertem, chromplattiertem, gebürstetem Hauptstück, 152 mm Schwenkdüse mit Flussreglerauslass, Kompressionskartuschen mit Stellfedern, Hebeln und 1/2" NPT-Einlassnippeln, männlich.
- FR Robinet mélangeur à montage sur le plan de travail de 102 mm avec corps en laiton chromé poli, buse orientable de 152 mm avec sortie régulatrice de débit, cartouches à compression avec clapets à ressort, poignées à levier et mamelons d'alimentation mâles de 1/2 po. NPT.
- ITA Rubinetto miscelatore biforo da banco con interasse 102 mm, corpo in ottone cromato, canna orientabile L. 152 mm con regolatore di portata, vitoni a compressione, maniglie a leva e raccordi maschio 1/2" NPT.

Model Number	Hybrid Pic	Inlet Type (D)	Installation / Mounting Hole Ø	Clearance (C)	Nozzle Length (L)	Nozzle Height (H)	Flow Rate	Cartridge	Temperature	Stocking Article in Europe
B-2283		1/2" NPT female, 1/2" NPT supply nipple kit included	Deck mount, 102 mm distance	125 mm	153 mm	79 mm	Full flow 20 L/min	Eterna compression	Mixing	x

Spare Parts Kits and Accessories

Model	Description	Model	Description
B-PT	Full Flow Stream Regulator, 55/64-27"	002711-40NS	Quarter-Turn Eterna Cartridge w/ Spring Check, Handle, Blue Index & Screw, LTC
059X	6" Swing Nozzle	001019-45	Coupling Nut Washer
009538-45	Swivel Washer	00AA	1/2" NPT Female Eccentric Flange
011429-45	Swivel Sleeves (2)	B-0425-M	1/2" NPT Supply Nipple Kit (2)
001074-45	O-Ring	000999-45	Brass Lock Washer
014200-45	Star Washer, Anti-Rotation	002954-45	Shank Lock Nut
001638-45NS	Lever Handle (New Style)	002712-40NS	Quarter-Turn Eterna Cartridge w/ Spring Check, Handle, Red Index & Screw, RTC
012442-40NS	Quarter-Turn Eterna Cartridge w/ Spring Check, LTC	012443-40NS	Quarter-Turn Eterna Cartridge w/ Spring Check, RTC



B-2463

For more model variations, go to www.tsbrass.com

B-2463 Faucet

- EN 203 mm wall mount mixing faucet with polished chrome plated brass body, 305 mm swing nozzle with stream regulator outlet, ceramic cartridges with check valves, wrist action handles and 1/2" NPT female inlets.
- ESP Grifo mezclador para montaje en pared de 203 mm con cuerpo de latón cromado pulido, boquilla giratoria de 305 mm con salida reguladora de caudal, cartuchos de cerámica con válvulas de retención, manerales accionados con muñeca y entradas hembra de 1/2" NPT.
- GER 203 mm Mischer zur Wandmontage mit poliertem, chromplattiertem, gebürstetem Hauptstück, 305 mm Schwenkdüse mit Flussreglerauslass, Keramikkartuschen mit Absperrventilen, mit dem Handgelenk betätigbaren Hebeln und 1/2" NPT-Einlässen, weiblich.
- FR Robinet mélangeur à montage mural de 203 mm avec corps en laiton chromé poli, buse orientable de 305 mm avec sortie régulatrice de débit, cartouches céramique avec clapets, poignées actionnées au poignet et entrées femelles 1/2 po. NPT.
- ITA Rubinetto miscelatore biforo da banco con interasse 203 mm, corpo in ottone cromato, canna orientabile L. 305 mm con regolatore di portata, vitoni ceramici con valvole di non ritorno, maniglie a leva attivabili a polso e raccordi femmina 1/2" NPT.

Model Number	Hybrid Pic	Inlet Type (D)	Installation / Mounting Hole Ø	Clearance (C)	Nozzle Length (L)	Nozzle Height (H)	Flow Rate	Cartridge	Temperature	Stocking Article in Europe
B-2463		1/2" NPT Female	Wall mount, 203 mm distance	N/A	305 mm	80 mm	Full flow 20 L/min	Cerama ceramic	Mixing	x

Spare Parts Kits and Accessories

Model	Description	Model	Description
062X	12" Swing Nozzle	012395-25NS	Quarter-Turn Cerama Cartridge w/ Check Valve, LTC
B-PT	Full Flow Stream Regulator, 55/64-27"	00AA	1/2" NPT Female Eccentric Flange
009538-45	Swivel Washer	001019-45	Coupling Nut Washer
011429-45	Swivel Sleeves (2)	012394-25NS	Quarter-Turn Cerama Cartridge w/ Check Valve, RTC
001074-45	O-Ring	B-WH4H-NS	Wrist Action Handle, Red Index & Screw
000925-45	Lab Handle Screw	B-WH4-NS	Wrist Action Handle (New Style)
B-WH4C-NS	Wrist Action Handle, Blue Index & Screw	014200-45	Star Washer, Anti-Rotation



Spare Parts Kits and Accessories

Model	Description
B-0199-06-N05	0.5 GPM VR Spray Device
044A	3/8" to Aerator Adapter
006575-45	O-Ring
017195-45	Angled Sensor w/ Cable
016297-45	Inlet Hose, Faucet, 1/2" NPSM-F x 1/4" NPSM-F
016647-45	ChekPoint Module (Grey)
SEF-0002	Plug-in AC Transformer
SEF-0006	Mechanical Mixing Valve
SEF-0005	Supply Hose, 9/16-24 Female x 1/2" NPSM
015425-45	Vandal Resistant Key
EC-FILTER	Replacement Filter
B-0199-06	VR Aerator w/ Key

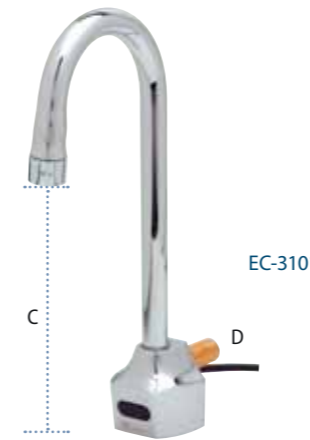
For more model variations, go to www.tsbrass.com

EC-3100 Series Sensor Faucets

- EN** High quality and highly reliable sensor faucets with with options including vandal-resistant aerator and low-flow with programmable flow time, activating distance, autoflush function to prevent stagnation of water, equipped with particle filter and manual mixing valve for water temperature with check-valves. All models can be powered by one or more of the following: T&S EC-Hydrogen power supply, batteries, AC/DC power supply. Supply hoses with 3/8" female connection. Brass, chrome-plated.
- ESP** Grifos con sensor de alta calidad y muy confiables con opciones que incluyen aireador a prueba de vandalismo y caudal bajo con tiempo de salida de agua, distancia de activación y función de descarga automática programables para evitar el estancamiento de agua, equipados con filtro de partículas y válvula mezcladora manual para la temperatura del agua con válvulas de retención. Todos los modelos pueden funcionar con una o más de las siguientes opciones: fuente de alimentación EC-Hydrogen de T&S, baterías, suministro de energía de CA/CD. Mangueras de suministro con conexión hembra de 3/8". Bronce cromado.
- GER** High Quality-Sensor-Waschtischarmatur mit Vandalismus geschütztem Strahlregler und Low-Flow-Option. Programmierbare Einstellungen - Laufzeit, Aktivierungsabstand, Freispülung zur Vermeidung von Stagnationswasser. Ausgestattet mit Partikelfilter und manuellem Regelventil für die Wassertemperatur mit Rückflussverhinderern. Alle Modelle können in Kombination oder einzeln mit dem T&S EC-Hydrogenerator, Batterien oder Steckernetzteil betrieben werden. Anschlussschläuche mit 3/8" Innengewinde (beiliegend). Messing, glanzverchromt.
- FR** Robinets à capteur de haute qualité et très fiables avec des options incluant un aérateur anti-vandalisme et faible débit avec durée d'écoulement, distance d'activation programmables, fonction de rinçage automatique pour éviter la stagnation de l'eau, équipés d'un filtre à particules et d'un mélangeur manuel pour la température de l'eau avec clapets anti-retour. Tous les modèles peuvent être alimentés par une ou plusieurs des options suivantes : T&S CE-Alimentation en hydrogène, batteries, alimentation CA/CC. Flexibles d'alimentation avec raccord femelle 3/8 po.. Laiton chromé.
- ITA** Rubinetti a fotocellula di alta qualità e alta affidabilità con vari dispositivi tra cui rompigitto antivandalo, portata ridotta con tempo di erogazione regolabile, distanza di attivazione regolabile e risciacquo automatico programmabile per evitare il ristagno dell'acqua. Dotati di filtro antiparticolato e levetta manuale per la miscelazione dell'acqua, con valvole di ritegno. Tutti i modelli possono essere alimentati nei seguenti modi, singolarmente o in combinazione tra loro: Alimentatore T&S EC-Hydrogenerator, batterie, presa di corrente. Flessibili di alimentazione con raccordo femmina 3/8". Ottone cromato.



Model Number	Inlet Type (D)	Installation / Mounting Hole Ø	Clearance (C)	Flow Rate	Includes EC-HYDROGEN-LF (2-4 L/min)	Includes EC-HYDROGEN (>4 L/min)	Electronics Installation	Stocking Article in Europe
EC-3100-VF05	3/8" female compression	Deck mount, 25 mm	178 mm	1.9 L/min vandal-resistant	×	×	Below deck	×
EC-3100-VF05-LF				✓	×	×		
EC-3100				×	×	×		
EC-3100-HG				×	✓	×		



Spare Parts Kits and Accessories

Model	Description
B-0199-06	VR Aerator w/ Key
044A	3/8" to Aerator Adapter
006575-45	O-Ring
017195-45	Angled Sensor w/ Cable
016325-45	Flex Connector, 3/8 NPSM x 1/2 NPSM
016647-45	CheckPoint Module (Grey)
SEF-0006	Mechanical Mixing Valve
SEF-0005	Supply Hose, 9/16-24 Female x 1/2" NPSM
SEF-0002	A/C Transformer
015425-45	Vandal Resistant Key
EC-FILTER	Replacement Filter

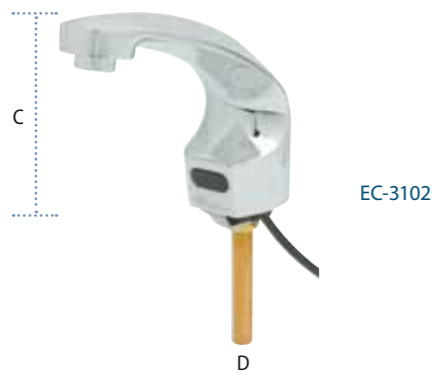
For more model variations, go to www.tsbrass.com

EC-3101 Series Sensor Faucets

- EN** High quality and highly reliable sensor faucets with with options including vandal-resistant aerator and low-flow with programmable flow time, activating distance, autoflush function to prevent stagnation of water, equipped with particle filter and manual mixing valve for water temperature with check-valves. All models can be powered by one or more of the following: T&S EC-Hydrogen power supply, batteries, AC/DC power supply. Supply hoses with 3/8" female connection. Brass, chrome-plated.
- ESP** Grifos con sensor de alta calidad y muy confiables con opciones que incluyen aireador a prueba de vandalismo y caudal bajo con tiempo de salida de agua, distancia de activación y función de descarga automática programables para evitar el estancamiento de agua, equipados con filtro de partículas y válvula mezcladora manual para la temperatura del agua con válvulas de retención. Todos los modelos pueden funcionar con una o más de las siguientes opciones: fuente de alimentación EC-Hydrogen de T&S, baterías, suministro de energía de CA/CD. Mangueras de suministro con conexión hembra de 3/8". Bronce cromado.
- GER** High Quality-Sensor-Waschtischarmatur mit Vandalismus geschütztem Strahlregler und Low-Flow-Option. Programmierbare Einstellungen - Laufzeit, Aktivierungsabstand, Freispülung zur Vermeidung von Stagnationswasser. Ausgestattet mit Partikelfilter und manuellem Regelventil für die Wassertemperatur mit Rückflussverhinderern. Alle Modelle können in Kombination oder einzeln mit dem T&S EC-Hydrogenerator, Batterien oder Steckernetzteil betrieben werden. Anschlussschläuche mit 3/8" Innengewinde (beiliegend). Messing, glanzverchromt.
- FR** Robinets à capteur de haute qualité et très fiables avec des options incluant un aérateur anti-vandalisme et faible débit avec durée d'écoulement, distance d'activation programmables, fonction de rinçage automatique pour éviter la stagnation de l'eau, équipés d'un filtre à particules et d'un mélangeur manuel pour la température de l'eau avec clapets anti-retour. Tous les modèles peuvent être alimentés par une ou plusieurs des options suivantes : T&S CE-Alimentation en hydrogène, batteries, alimentation CA/CC. Flexibles d'alimentation avec raccord femelle 3/8 po.. Laiton chromé.
- ITA** Rubinetti a fotocellula di alta qualità e alta affidabilità con vari dispositivi tra cui rompigitto antivandalo, portata ridotta con tempo di erogazione regolabile, distanza di attivazione regolabile e risciacquo automatico programmabile per evitare il ristagno dell'acqua. Dotati di filtro antiparticolato e levetta manuale per la miscelazione dell'acqua, con valvole di ritegno. Tutti i modelli possono essere alimentati nei seguenti modi, singolarmente o in combinazione tra loro: Alimentatore T&S EC-Hydrogenerator, batterie, presa di corrente. Flessibili di alimentazione con raccordo femmina 3/8". Ottone cromato.



Model Number	Inlet Type (D)	Installation / Mounting Hole Ø	Clearance (C)	Flow Rate	Includes EC-HYDROGEN-LF (2-4 L/min)	Includes EC-HYDROGEN (>4 L/min)	Electronics Installation	Stocking Article in Europe
EC-3101-VF05	3/8" female compression	Wall mount, 29 mm	N/A	1.9 L/min vandal-resistant	×	×	Below deck	×
EC-3101-VF05-LF				✓	×	×		
EC-3101				×	×	×		
EC-3101-HG				×	✓	×		



Spare Parts Kits and Accessories

Model	Description
B-0199-08	2.2 GPM Aerator, 13/16-27 UN Male w/ Key
017195-45	Angled Sensor w/ Cable
016297-45	Inlet Hose, Faucet, 1/2" NPSM-F x 1/4" NPSM-F
016647-45	ChekPoint Module (Grey)
SEF-0002	Plug-In AC Transformer
SEF-0006	Mechanical Mixing Valve
SEF-0005	Supply Hose, 9/16-24 Female x 1/2" NPSM
015425-45	Vandal Resistant Key
EC-FILTER	Replacement Filter

For more model variations, go to www.tsbrass.com

EC-3102 Series Sensor Faucets

- EN** High quality and highly reliable sensor faucets with with options including vandal-resistant aerator and low-flow with programmable flow time, activating distance, autoflush function to prevent stagnation of water, equipped with particle filter and manual mixing valve for water temperature with check-valves. All models can be powered by one or more of the following: T&S EC-Hydrogen power supply, batteries, AC/DC power supply. Supply hoses with 3/8" female connection. Brass, chrome-plated.
- ESP** Grifos con sensor de alta calidad y muy confiables con opciones que incluyen aireador a prueba de vandalismo y caudal bajo con tiempo de salida de agua, distancia de activación y función de descarga automática programables para evitar el estancamiento de agua, equipados con filtro de partículas y válvula mezcladora manual para la temperatura del agua con válvulas de retención. Todos los modelos pueden funcionar con una o más de las siguientes opciones: fuente de alimentación EC-Hydrogen de T&S, baterías, suministro de energía de CA/CD. Mangueras de suministro con conexión hembra de 3/8". Bronce cromado.
- GER** High Quality-Sensor-Waschtischarmatur mit Vandalismus geschütztem Strahlregler und Low-Flow-Option. Programmierbare Einstellungen - Laufzeit, Aktivierungsabstand, Freispülung zur Vermeidung von Stagnationswasser. Ausgestattet mit Partikelfilter und manuellem Regelventil für die Wassertemperatur mit Rückflussverhinderern. Alle Modelle können in Kombination oder einzeln mit dem T&S EC-Hydrogenerator, Batterien oder Steckernetzteil betrieben werden. Anschlussschläuche mit 3/8" Innengewinde (beiliegend). Messing, glanzverchromt.
- FR** Robinets à capteur de haute qualité et très fiables avec des options incluant un aérateur anti-vandalisme et faible débit avec durée d'écoulement, distance d'activation programmables, fonction de rinçage automatique pour éviter la stagnation de l'eau, équipés d'un filtre à particules et d'un mélangeur manuel pour la température de l'eau avec clapets anti-retour. Tous les modèles peuvent être alimentés par une ou plusieurs des options suivantes : T&S CE-Alimentation en hydrogène, batteries, alimentation CA/CC. Flexibles d'alimentation avec raccord femelle 3/8 po.. Laiton chromé.
- ITA** Rubinetti a fotocellula di alta qualità e alta affidabilità con vari dispositivi tra cui rompigetto antivandalo, portata ridotta con tempo di erogazione regolabile, distanza di attivazione regolabile e risciacquo automatico programmabile per evitare il ristagno dell'acqua. Dotati di filtro antiparticolato e levetta manuale per la miscelazione dell'acqua, con valvole di ritegno. Tutti i modelli possono essere alimentati nei seguenti modi, singolarmente o in combinazione tra loro: Alimentatore T&S EC-Hydrogenerator, batterie, presa di corrente. Flessibili di alimentazione con raccordo femmina 3/8". Ottone cromato.



Spare Parts Kits and Accessories

Model	Description
015425-45	Vandal Resistant Key
B-0199-06	VR 2.2 GPM Aerator w/ Key, 55/64-27 Female
044A	3/8" to Aerator Adapter
006575-45	O-Ring
015345-45	Low Profile Elbow, 3/8 NPSM
017195-45	Angled Sensor with Cable
016325-45	Flex Connector, 3/8 NPSM x 1/2 NPSM
016647-45	ChekPoint Sensor Faucet Control Module
SEF-0002	A/C Transformer
SEF-0005	Supply Hose, 9/16-24 Female x 1/2" NPSM
SEF-0006	Mechanical Mixing Valve
EC-FILTER	Replacement Filter

For more model variations, go to www.tsbrass.com

EC-3105 Series Sensor Faucets

- EN** High quality and highly reliable sensor faucets with with options including vandal-resistant aerator and low-flow with programmable flow time, activating distance, autoflush function to prevent stagnation of water, equipped with particle filter and manual mixing valve for water temperature with check-valves. All models can be powered by one or more of the following: T&S EC-Hydrogen power supply, batteries, AC/DC power supply. Supply hoses with 3/8" female connection. Brass, chrome-plated.
- ESP** Grifos con sensor de alta calidad y muy confiables con opciones que incluyen aireador a prueba de vandalismo y caudal bajo con tiempo de salida de agua, distancia de activación y función de descarga automática programables para evitar el estancamiento de agua, equipados con filtro de partículas y válvula mezcladora manual para la temperatura del agua con válvulas de retención. Todos los modelos pueden funcionar con una o más de las siguientes opciones: fuente de alimentación EC-Hydrogen de T&S, baterías, suministro de energía de CA/CD. Mangueras de suministro con conexión hembra de 3/8". Bronce cromado.
- GER** High Quality-Sensor-Waschtischarmatur mit Vandalismus geschütztem Strahlregler und Low-Flow-Option. Programmierbare Einstellungen - Laufzeit, Aktivierungsabstand, Freispülung zur Vermeidung von Stagnationswasser. Ausgestattet mit Partikelfilter und manuellem Regelventil für die Wassertemperatur mit Rückflussverhinderern. Alle Modelle können in Kombination oder einzeln mit dem T&S EC-Hydrogenerator, Batterien oder Steckernetzteil betrieben werden. Anschlussschläuche mit 3/8" Innengewinde (beiliegend). Messing, glanzverchromt.
- FR** Robinets à capteur de haute qualité et très fiables avec des options incluant un aérateur anti-vandalisme et faible débit avec durée d'écoulement, distance d'activation programmables, fonction de rinçage automatique pour éviter la stagnation de l'eau, équipés d'un filtre à particules et d'un mélangeur manuel pour la température de l'eau avec clapets anti-retour. Tous les modèles peuvent être alimentés par une ou plusieurs des options suivantes : T&S CE-Alimentation en hydrogène, batteries, alimentation CA/CC. Flexibles d'alimentation avec raccord femelle 3/8 po.. Laiton chromé.
- ITA** Rubinetti a fotocellula di alta qualità e alta affidabilità con vari dispositivi tra cui rompigetto antivandalo, portata ridotta con tempo di erogazione regolabile, distanza di attivazione regolabile e risciacquo automatico programmabile per evitare il ristagno dell'acqua. Dotati di filtro antiparticolato e levetta manuale per la miscelazione dell'acqua, con valvole di ritegno. Tutti i modelli possono essere alimentati nei seguenti modi, singolarmente o in combinazione tra loro: Alimentatore T&S EC-Hydrogenerator, batterie, presa di corrente. Flessibili di alimentazione con raccordo femmina 3/8". Ottone cromato.



Model Number	Inlet Type (D)	Installation / Mounting Hole Ø	Clearance (C)	Flow Rate	Includes EC-HYDROGEN-LF (2-4 L/min)	Includes EC-HYDROGEN (>4 L/min)	Electronics Installation	Stocking Article in Europe
EC-3102-VF05	3/8" female compression	Deck mount, 25 mm	129 mm	1.9 L/min vandal-resistant	x	x	Below deck	x
EC-3102-VF05-LF				8.3 L/min vandal-resistant	✓	x		x
EC-3102				x	x	x		
EC-3102-HG				x	✓	x		



Model Number	Inlet Type (D)	Installation / Mounting Hole Ø	Clearance (C)	Flow Rate	Includes EC-HYDROGEN-LF (2-4 L/min)	Includes EC-HYDROGEN (>4 L/min)	Electronics Installation	Stocking Article in Europe
EC-3105-VF05	3/8" female compression	Wall mount, (2) 25 mm holes on 102 mm centers	N/A	1.9 L/min vandal-resistant	x	x	Below deck	x
EC-3105-VF05-LF				8.3 L/min vandal-resistant	✓	x		x
EC-3105				x	x	x		
EC-3105-HG				x	✓	x		



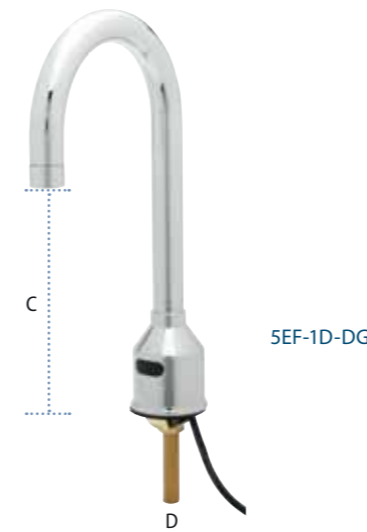
Spare Parts Kits and Accessories

Model	Description
B-0199-08	VR 2.2 GPM Aerator, 13/16-27 UN Male w/ Key
019087-45	6VDC Lithium Battery, CR-P2
019088-45	Auxiliary Power Connector Cable
019082-45	Lever Asm & Body Screw Kit w/ L-Key
018544-45	SS Flex Hose w/ Check Valve Adapter
5EF-0002	Plug-In A/C Transformer
019086-45	Body Plug, Pre-Set Temperature

For more model variations, go to www.tsbrass.com

EC-3142 Series Sensor Faucets

- EN** High quality and highly reliable sensor faucets with with options including vandal-resistant aerator and low-flow with programmable flow time, activating distance, autoflush function to prevent stagnation of water, equipped with particle filter and manual mixing valve for water temperature with check-valves. All models can be powered by one or more of the following: T&S EC-Hydrogen power supply, batteries, AC/DC power supply. Supply hoses with 3/8" female connection. Brass, chrome-plated.
- ESP** Grifos con sensor de alta calidad y muy confiables con opciones que incluyen aireador a prueba de vandalismo y caudal bajo con tiempo de salida de agua, distancia de activación y función de descarga automática programables para evitar el estancamiento de agua, equipados con filtro de partículas y válvula mezcladora manual para la temperatura del agua con válvulas de retención. Todos los modelos pueden funcionar con una o más de las siguientes opciones: fuente de alimentación EC-Hydrogen de T&S, baterías, suministro de energía de CA/CD. Mangueras de suministro con conexión hembra de 3/8". Bronce cromado.
- GER** High Quality-Sensor-Waschtischarmatur mit Vandalismus geschütztem Strahlregler und Low-Flow-Option. Programmierbare Einstellungen - Laufzeit, Aktivierungsabstand, Freispülung zur Vermeidung von Stagnationswasser. Ausgestattet mit Partikelfilter und manuellem Regelventil für die Wassertemperatur mit Rückflussverhinderern. Alle Modelle können in Kombination oder einzeln mit dem T&S EC-Hydrogenerator, Batterien oder Steckernetzteil betrieben werden. Anschlussschläuche mit 3/8" Innengewinde (beiliegend). Messing, glanzverchromt.
- FR** Robinets à capteur de haute qualité et très fiables avec des options incluant un aérateur anti-vandalisme et faible débit avec durée d'écoulement, distance d'activation programmables, fonction de rinçage automatique pour éviter la stagnation de l'eau, équipés d'un filtre à particules et d'un mélangeur manuel pour la température de l'eau avec clapets anti-retour. Tous les modèles peuvent être alimentés par une ou plusieurs des options suivantes : T&S CE-Alimentation en hydrogène, batteries, alimentation CA/CC. Flexibles d'alimentation avec raccord femelle 3/8 po.. Laiton chromé.
- ITA** Rubinetti a fotocellula di alta qualità e alta affidabilità con vari dispositivi tra cui rompigitto antivandalo, portata ridotta con tempo di erogazione regolabile, distanza di attivazione regolabile e risciacquo automatico programmabile per evitare il ristagno dell'acqua. Dotati di filtro antiparticolato e levetta manuale per la miscelazione dell'acqua, con valvole di ritegno. Tutti i modelli possono essere alimentati nei seguenti modi, singolarmente o in combinazione tra loro: Alimentatore T&S EC-Hydrogenerator, batterie, presa di corrente. Flessibili di alimentazione con raccordo femmina 3/8". Ottone cromato.



Spare Parts Kits and Accessories

Model	Description
015425-45	Vandal Resistant Key
B-0199-06	VR 2.2 GPM Aerator w/ Key
5EF-0004	24" Sensor Cable
016297-45	Inlet Hose, Faucet, 1/2" NPSM-F x 1/4" NPSM-F
5EF-0001	equip Sensor Faucet - Control Module
5EF-0002	equip AC Transformer, 100-240 VAC
5EF-0005	Supply Hose, 9/16-24 Female x 1/2" NPSM
5EF-0006	Mechanical Mixing Valve
EC-FILTER	Replacement Filter

For more model variations, go to www.tsbrass.com

5EF-1D-DG Series Sensor Faucets

- EN** Highly reliable sensor faucets with vandal-resistant aerators and low-flow option with programmable – flow time, activating distance, equipped with particle filter and manual mixing valve for water temperature with check-valves. All models can be powered by one or more of the following: T&S EC-Hydrogen power supply, batteries, AC/DC power supply. Supply hoses with 3/8" female connection. Brass, chrome-plated.
- ESP** Grifos con sensor muy confiables con aireadores a prueba de vandalismo y opción de caudal bajo con tiempo de salida de agua y distancia de activación programables, equipados con filtro de partículas y válvula mezcladora manual para la temperatura del agua con válvulas de retención. Todos los modelos pueden funcionar con una o más de las siguientes opciones: fuente de alimentación EC-Hydrogen de T&S, baterías, suministro de energía de CA/CD. Mangueras de suministro con 3/8" hembra para conexión. De latón, cromadas.
- GER** Qualitäts-Sensor-Waschtischarmatur mit Vandalismus geschütztem Strahlregler und Low-Flow-Option. Programmierbare Einstellungen - Laufzeit, Aktivierungsabstand. Ausgestattet mit Partikelfilter und manuellem Regelventil für die Wassertemperatur mit Rückflussverhinderern. Alle Modelle können in Kombination oder einzeln mit dem T&S EC-Hydrogenerator, Batterien oder CE-Zertifiziertem Steckernetzteil betrieben werden. Anschlussschläuche mit 3/8" IG (beiliegend). Messing, glanzverchromt.
- FR** Robinets à capteur très fiables avec aérateurs anti-vandalisme et option de faible débit avec durée d'écoulement, distance d'activation programmables, équipés d'un filtre à particules et d'un mélangeur manuel pour la température de l'eau avec clapets anti-retour. Tous les modèles peuvent être alimentés par une ou plusieurs des options suivantes : T&S CE-Alimentation en hydrogène, batteries, alimentation CA/CC. Flexibles d'alimentation avec 3/8 po. femelle. En laiton chromé.
- ITA** Rubinetti a fotocellula ad alta affidabilità con rompigitto antivandalo e portata ridotta con tempo di erogazione e distanza di attivazione regolabili. Dotati di filtro antiparticolato e levetta manuale per la miscelazione dell'acqua, con valvole di ritegno. Tutti i modelli possono essere alimentati nei seguenti modi, singolarmente o in combinazione tra loro: Alimentatore T&S EC-Hydrogenerator, batterie, presa di corrente. Flessibili di alimentazione con raccordo femmina 3/8". Ottone cromato.



Model Number	Inlet Type (D)	Installation / Mounting Hole Ø	Clearance (C)	Flow Rate	Includes EC-HYDROGEN-LF (2-4 L/min)	Includes EC-HYDROGEN (>4 L/min)	Electronics Installation	Stocking Article in Europe
EC-3142-VF05	3/8" female compression	Deck mount, 32 mm	128 mm	1.9 L/min vandal-resistant	×	×	Above deck (in faucet body)	×
EC-3142-VF05-LF				✓	×	×		
EC-3142				8.3 L/min vandal-resistant	×	×		×
EC-3142-HG				×	✓	×		



Model Number	Inlet Type (D)	Installation / Mounting Hole Ø	Clearance (C)	Flow Rate	Includes EC-HYDROGEN-LF (2-4 L/min)	Includes EC-HYDROGEN (>4 L/min)	Electronics Installation	Stocking Article in Europe
5EF-1D-DG-VF05	3/8" female compression	Deck mount, 25 mm	191 mm	1.9 L/min vandal-resistant	×	×	Below deck	×
5EF-1D-DG-VF05-LF				✓	×	×		
5EF-1D-DG-C				8.3 L/min vandal-resistant	×	×		×
5EF-1D-DG-C-HG				×	✓	×		



Spare Parts Kits and Accessories

Model	Description
B-0199-09	VR 2.2 GPM Aerator, 15/16-27 Male w/Key
SEF-0003	24" Sensor Cable
SEF-0001	equip Sensor Faucet - Control Module
SEF-0002	equip AC Transformer, 100-240 VAC
016297-45	Inlet Hose, Faucet, 1/2" NPSM-F x 1/4" NPSM-F
SEF-0005	Supply Hose, 9/16-24UN Female x 1/2" NPSM
SEF-0006	Mechanical Mixing Valve
015425-45	Vandal Resistant Key
EC-FILTER	Replacement Filter

For more model variations, go to www.tsbrass.com

SEF-1D-DS Series Sensor Faucets

- EN** Highly reliable sensor faucets with vandal-resistant aerators and low-flow option with programmable – flow time, activating distance, equipped with particle filter and manual mixing valve for water temperature with check-valves. All models can be powered by one or more of the following: T&S EC-Hydrogen power supply, batteries, AC/DC power supply. Supply hoses with 3/8" female connection. Brass, chrome-plated.
- ESP** Grifos con sensor muy confiables con aireadores a prueba de vandalismo y opción de caudal bajo con tiempo de salida de agua y distancia de activación programables, equipados con filtro de partículas y válvula mezcladora manual para la temperatura del agua con válvulas de retención. Todos los modelos pueden funcionar con una o más de las siguientes opciones: fuente de alimentación EC-Hydrogen de T&S, baterías, suministro de energía de CA/CD. Mangueras de suministro con 3/8" hembra para conexión. De latón, cromadas.
- GER** Qualitäts-Sensor-Waschtischarmatur mit Vandalismus geschütztem Strahlregler und Low-Flow-Option. Programmierbare Einstellungen - Laufzeit, Aktivierungsabstand. Ausgestattet mit Partikelfilter und manuellem Regelventil für die Wassertemperatur mit Rückflussverhinderern. Alle Modelle können in Kombination oder einzeln mit dem T&S EC-Hydrogenerator, Batterien oder CE-Zertifiziertem Steckernetzteil betrieben werden. Anschlussschläuche mit 3/8" IG (beiliegend). Messing, glanzverchromt.
- FR** Robinets à capteur très fiables avec aérateurs anti-vandalisme et option de faible débit avec durée d'écoulement, distance d'activation programmables, équipés d'un filtre à particules et d'un mélangeur manuel pour la température de l'eau avec clapets anti-retour. Tous les modèles peuvent être alimentés par une ou plusieurs des options suivantes : T&S CE-Alimentation en hydrogène, batteries, alimentation CA/CC. Flexibles d'alimentation avec 3/8 po. femelle. En laiton chromé.
- ITA** Rubinetti a fotocellula ad alta affidabilità con rompigetto antivandalo e portata ridotta con tempo di erogazione e distanza di attivazione regolabili. Dotati di filtro antiparticolato e levetta manuale per la miscelazione dell'acqua, con valvole di ritegno. Tutti i modelli possono essere alimentati nei seguenti modi, singolarmente o in combinazione tra loro: Alimentatore T&S EC-Hydrogenerator, batterie, presa di corrente. Flessibili di alimentazione con raccordo femmina 3/8". Ottone cromato.



Model Number	Inlet Type (D)	Installation / Mounting Hole Ø	Clearance (C)	Flow Rate	Includes EC-HYDROGEN-LF (2-4 L/min)	Includes EC-HYDROGEN (>4 L/min)	Electronics Installation	Stocking Article in Europe
SEF-1D-DS-VF05	3/8" female compression	Deck mount, 32 mm	93 mm	1.9 L/min vandal-resistant	×	×	Below deck	×
SEF-1D-DS-VF05-LF				8.3 L/min vandal-resistant	✓	×		×
SEF-1D-DS-C				1.9 L/min vandal-resistant	×	×		×
SEF-1D-DS-C-HG				8.3 L/min vandal-resistant	×	✓		×



Spare Parts Kits and Accessories

Model	Description
EU-0199-M22-V22	VR 2.2 GPM Aerator, M22 x 1 Female
015425-45	Vandal Resistant Key
020377-45	Sensor Cable
019920-45	Control Module
019921-45	Mechanical Temperature Mixing Valve
019922-45	Supply Hose, G 3/8" x G 1/2" Connections
019924-45	Plug-in AC Transformer
019926-45	Flexible Connector Hose

For more model variations, go to www.tsbrass.com

CEF-1DG Series Sensor Faucets

- EN** Reliable sensor faucets with vandal-resistant aerators and low-flow option. Equipped with particle filter and manual mixing valve for water temperature with check-valves. All models can be powered by one or more of the following: batteries, AC/DC power supply. Supply hoses with G1/2" female connection. Brass, chrome-plated.
- ESP** Grifos con sensor confiables con aireadores a prueba de vandalismo y opción de caudal bajo. Equipados con filtro de partículas y válvula mezcladora manual para la temperatura del agua con válvulas de retención. Todos los modelos pueden funcionar con una o más de las siguientes opciones: baterías, suministro de energía de CA/CD. Mangueras de suministro con G1/2" hembra para conexión. De latón, cromadas.
- GER** Sensor-Waschtischarmatur mit Vandalismus geschütztem Strahlregler und Low-Flow-Option. Ausgestattet mit Partikelfilter und manuellem Regelventil für die Wassertemperatur mit Rückflussverhinderern. Alle Modelle können in Kombination oder einzeln mit dem CE-Zertifiziertem Steckernetzteil oder Batterien betrieben werden. Anschlussschläuche mit G1/2" IG (beiliegend). Messing, glanzverchromt.
- FR** Robinets à capteur fiables avec aérateurs anti-vandalisme et option de faible débit. Équipés d'un filtre à particules et d'un mélangeur manuel pour la température de l'eau avec clapets anti-retour. Tous les modèles peuvent être alimentés par une ou plusieurs des options suivantes : batteries, alimentation CA/CC. Flexibles d'alimentation avec G1/2 po. femelle. En laiton chromé.
- ITA** Rubinetti a fotocellula affidabili con rompigetto antivandalo e portata ridotta opzionale. Dotati di filtro antiparticolato e levetta manuale per la miscelazione dell'acqua, con valvole di ritegno. Tutti i modelli possono essere alimentati nei seguenti modi, singolarmente o in combinazione tra loro: batterie o presa di corrente. Flessibili di alimentazione con raccordo femmina G1/2". Ottone cromato.



Model Number	Inlet Type (D)	Installation / Mounting Hole Ø	Clearance (C)	Flow Rate	Includes EC-HYDROGEN-LF (2-4 L/min)	Includes EC-HYDROGEN (>4 L/min)	Electronics Installation	Stocking Article in Europe
CEF-1DG-VF05	G1/2" female	Deck mount, 32 mm	180 mm	1.9 L/min vandal-resistant	N/A	N/A	Below deck	×
CEF-1DG-LF								×



Spare Parts Kits and Accessories

Model	Description
EU-0199-M24-V22	VR 2.2 GPM Aerator, M24x1 Male
020377-45	Sensor Cable
019920-45	Control Module
019921-45	Mechanical Temperature Mixing Valve
019922-45	Supply Hose, G 3/8" x G 1/2" Connections
019924-45	Plug-in AC Transformer
019926-45	Flexible Connector Hose
015425-45	Vandal Resistant Key

For more model variations, go to www.tsbrass.com

CEF-1DS Series Sensor Faucets

- EN** Reliable sensor faucets with vandal-resistant aerators and low-flow option. Equipped with particle filter and manual mixing valve for water temperature with check-valves. All models can be powered by one or more of the following: batteries, AC/DC power supply. Supply hoses with G1/2" female connection. Brass, chrome-plated.
- ESP** Grifos con sensor confiables con aireadores a prueba de vandalismo y opción de caudal bajo. Equipados con filtro de partículas y válvula mezcladora manual para la temperatura del agua con válvulas de retención. Todos los modelos pueden funcionar con una o más de las siguientes opciones: baterías, suministro de energía de CA/CD. Mangueras de suministro con G1/2" hembra para conexión. De latón, cromadas.
- GER** Sensor-Waschtischarmatur mit Vandalismus geschütztem Strahlregler und Low-Flow-Option. Ausgestattet mit Partikelfilter und manuellem Regelventil für die Wassertemperatur mit Rückflussverhinderern. Alle Modelle können in Kombination oder einzeln mit dem CE-Zertifiziertem Steckernetzteil oder Batterien betrieben werden. Anschlussschläuche mit G1/2" IG (beiliegend). Messing, glanzverchromt.
- FR** Robinets à capteur fiables avec aérateurs anti-vandalisme et option de faible débit. Équipés d'un filtre à particules et d'un mélangeur manuel pour la température de l'eau avec clapets anti-retour. Tous les modèles peuvent être alimentés par une ou plusieurs des options suivantes : batteries, alimentation CA/CC. Flexibles d'alimentation avec G1/2 po. femelle pour connexion. En laiton chromé.
- ITA** Rubinetti a fotocellula affidabili con rompigetto antivandalo e portata ridotta opzionale. Dotati di filtro antiparticolato e levetta manuale per la miscelazione dell'acqua, con valvole di ritegno. Tutti i modelli possono essere alimentati nei seguenti modi, singolarmente o in combinazione tra loro: batterie o presa di corrente. Flessibili di alimentazione con raccordo femmina G1/2". Ottone cromato



Model Number	Inlet Type (D)	Installation / Mounting Hole Ø	Clearance (C)	Flow Rate	Includes EC-HYDROGEN -LF (2-4 L/min)	Includes EC-HYDROGEN (>4 L/min)	Electronics Installation	Stocking Article in Europe
CEF-1DS-VF05	G1/2" female	Deck mount, 32 mm	133 mm	1.9 L/min vandal-resistant	N/A	N/A	Below deck	×
CEF-1DS				8.3 L/min vandal-resistant				×



B-7122-C05

B-7122-C05 Enclosed Stainless Steel Hose Reel

- EN** Enclosed stainless steel hose reel, rear trigger water gun with swivel, 3/8" x 9 m heavy-duty non-marking hose, ratcheting system, multi-fit bracket, adjustable hose bumper and 3/8" NPT female inlet.
- ESP** Carrete para manguera cerrado de acero inoxidable, pistola de agua giratoria con gatillo posterior, manguera que no deja marcas, de alta resistencia de 3/8" x 9 m, sistema de avance gradual, soporte de ajuste múltiple, protector de manguera ajustable y entrada hembra de 3/8" NPT.
- GER** Umschlossene Edelstahlschlauchhaspel, Wasserpistole mit hinterem Auslöser und Drehgelenk, 3/8" x 9 m hochbeanspruchbarer, nicht abfärbender Schlauch, Ratschensystem, Multifit-Halterung, einstellbarer Schlauchdämpfer und 3/8" NPT-Einlass, weiblich.
- FR** Enrouleur de flexible fermé en acier inoxydable, pistolet à eau à gâchette arrière avec pivot, flexible résistant non marquant 3/8 po. x 9 m, système de cliquet, support multi-fit, butée de flexible réglable et entrée femelle 3/8 po. NPT.
- ITA** Avvolgitubo in acciaio inossidabile, modello chiuso, idropistola con leva di attivazione posteriore e raccordo girevole, tubo resistente antiraccia 3/8" x 9 m, sistema di blocco del tubo a intervalli regolari, staffa regolabile, boccola ferma-tubo e raccordo di mandata filettato femmina 3/8" NPT

Model	Inlet	Hose Diameter Ø	Hose Material	Length	Open / Enclosed	Coating	Spray Gun	Mounting Bracket	Pressure Range	Temperature Range	Stocking Article in Europe
B-7122-C05	3/8" NPT female	3/8"	Rubber, non-marking	9 m	Enclosed	Stainless steel	MV-2522-24	Multi-fit bracket	1.38 - 8.62 bar	4.44 - 93° C	×

Spare Parts Kits and Accessories

Model	Description	Model	Description
MV-2522-24	Front Trigger Gun, 3/16" Orifice	014948-45	O-Ring Replacement Kit
014936-45	Roller Repair Kit	014933-45	Small Stainless Steel Spring
014949-45	Hose Stop Repair Kit	014940-45	Ratchet Repair Kit
014943-45	3/8" x 30' Hose	019652-40	3/8" NPT Live Swivel
014946-45	3/8" Swivel Repair Kit	006562-45	O-Ring



B-7132-05

B-7132-05 Open Stainless Steel Hose Reel

- EN** Open stainless steel hose reel, front trigger water gun with swivel, 3/8" x 10 m heavy-duty non-marking hose, ratcheting system, multi-fit bracket, adjustable hose bumper and 3/8" NPT female inlet.
- ESP** Carrete para manguera abierto de acero inoxidable, pistola de agua giratoria con gatillo frontal, manguera que no deja marcas, de alta resistencia de 3/8" x 10 m, sistema de avance gradual, soporte de ajuste múltiple, protector de manguera ajustable y entrada hembra de 3/8" NPT.
- GER** Offene Edelstahlschlauchhaspel, Wasserpistole mit vorderem Auslöser und Drehgelenk, 3/8" x 10 m hochbeanspruchbarer, nicht abfärbender Schlauch, Ratschensystem, Multifit-Halterung, einstellbarer Schlauchdämpfer und 3/8" NPT-Einlass, weiblich.
- FR** Enrouleur de flexible ouvert en acier inoxydable, pistolet à eau à gâchette avant avec pivot, flexible résistant non marquant 3/8 po. x 10 m, système de cliquet, support multi-fit, butée de flexible réglable et entrée femelle 3/8 po. NPT.
- ITA** Avvolgitubo in acciaio inossidabile, modello aperto, idropistola con leva di attivazione anteriore e raccordo girevole, tubo resistente antitraccia 3/8" x 10 m, sistema di blocco del tubo a intervalli regolari, staffa regolabile, boccola ferma-tubo e raccordo di mandata filettato femmina 3/8" NPT

Model	Inlet	Hose Diameter Ø	Hose Material	Length	Open / Enclosed	Coating	Spray Gun	Mounting Bracket	Pressure Range	Temperature Range	Stocking Article in Europe
B-7132-05	3/8" NPT female	3/8"	Rubber, non-marking	10 m	Open	Stainless steel	MV-2522-24	Multi-fit bracket	1.38 - 8.62 bar	4.44 - 60° C	x

Spare Parts Kits and Accessories

Model	Description	Model	Description
MV-2522-24	Front Trigger Gun, 5/16" Orifice	014946-45	3/8" Swivel Repair Kit
014938-45	Roller Assembly Repair Kit	014948-45	O-Ring Replacement Kit
014949-45	Hose Stop Repair Kit	014940-45	Ratchet Repair Kit
014941-45	3/8" x 35' Hose Replacement Kit	001359-40	Hex Bushing, 1/2" NPT Male x 3/8" NPT Female
014933-45	Small Stainless Steel Spring	019652-40	3/8" NPT Live Swivel



B-7133-05

B-7133-05 1/2" Open Stainless Steel Hose Reels

- EN** Open stainless steel hose reel, stainless steel front trigger water gun and swivel with 5/16" orifice and 1/2" NPT male inlet, 1/2" x 10 m heavy-duty non-marking hose, ratcheting system, multi-fit bracket, adjustable hose bumper and 1/2" NPT female inlet.
- ESP** Carrete para manguera abierto de acero inoxidable, pistola de agua de acero inoxidable con gatillo frontal y eslabón giratorio con orificio de 5/16" y entrada macho de 1/2" NPT, manguera que no deja marcas, de alta resistencia de 1/2" x 10 m, sistema de avance gradual, soporte de ajustes múltiples, protector de manguera ajustable y entrada hembra de 1/2" NPT.
- GER** Offene Edelstahlschlauchhaspel, Edelstahlwasserpistole mit vorderem Auslöser und Drehgelenk mit 5/16" Öffnung und 1/2" NPT-Einlass, männlich, 1/2" x 10 m hochbeanspruchbarer, nicht abfärbender Schlauch, Ratschensystem, Multifit-Halterung, einstellbarer Schlauchdämpfer und 1/2" NPT-Einlass, weiblich.
- FR** Enrouleur de flexible ouvert en acier inoxydable, pistolet à eau à gâchette avant avec pivot avec orifice de 5/16 po. et entrée mâle de 1/2 po. NPT, flexible résistant non marquant de 1/2 po. x 10 m, système de cliquet, support multi-fit, butée de flexible réglable et entrée femelle 1/2 po. NPT.
- ITA** Avvolgitubo in acciaio inossidabile, modello aperto, idropistola con leva di attivazione anteriore con raccordo girevole maschio 1/2" NPT e foro di erogazione 5/16", tubo resistente antitraccia 1/2" x 10m, sistema di blocco del tubo a intervalli regolari, staffa regolabile, boccola ferma-tubo e raccordo di mandata filettato femmina 1/2" NPT

Model	Inlet	Hose Diameter Ø	Hose Material	Length	Open / Enclosed	Coating	Spray Gun	Mounting Bracket	Pressure Range	Temperature Range	Stocking Article in Europe
B-7133-05	1/2" NPT female	1/2"	Rubber, non-marking	10 m	Open	Stainless steel	MV-2522-24	Multi-fit bracket	1.38 - 8.62 bar	4.44 - 93° C	x

Spare Parts Kits and Accessories

Model	Description	Model	Description
MV-2522-24	Stainless Steel Front Trigger Water Gun w/ Blue Rubber Cover, 5/16" Orifice	014935-45	Large Stainless Steel Spring
015089-45	1/2" x 35' Hose Replacement Kit	014938-45	Roller Replacement Kit
019499-45	1/2" Hose Stop Repair Kit	014940-45	Ratchet Repair Kit
014947-45	1/2" Swivel Repair Kit	019653-40	1/2" NPT Live Swivel
019473-45	O-Ring Replacement Kit		



B-7142-C05

B-7142-C05 Enclosed Stainless Steel Hose Reel

- EN** Enclosed stainless steel hose reel, front trigger water gun with swivel, 3/8" x 15 m heavy-duty non-marking hose, ratcheting system, multi-fit bracket, adjustable hose bumper and 3/8" NPT female inlet.
- ESP** Carrete para manguera cerrado de acero inoxidable, pistola de agua giratoria con gatillo frontal, manguera que no deja marcas, de alta resistencia de 3/8" x 15 m, sistema de avance gradual, soporte de ajuste múltiple, protector de manguera ajustable y entrada hembra de 3/8" NPT.
- GER** Umschlossene Edelstahlschlauchhaspel, Wasserpistole mit vorderem Auslöser und Drehgelenk, 3/8" x 15 m hochbeanspruchbarer, nicht abfärbender Schlauch, Ratschensystem, Multifit-Halterung, einstellbarer Schlauchdämpfer und 3/8" NPT-Einlass, weiblich.
- FR** Enrouleur de flexible fermé en acier inoxydable, pistolet à eau à gâchette avant avec pivot, flexible résistant non marquant 3/8 po. x 15 m, système de cliquet, support multi-fit, butée de flexible réglable et entrée femelle 3/8 po. NPT.
- ITA** Avvolgitubo in acciaio inossidabile, modello chiuso, idropistola con leva di attivazione anteriore e raccordo girevole, tubo resistente antitraccia 3/8" x 15m, sistema di blocco del tubo a intervalli regolari, staffa regolabile, boccola ferma-tubo e raccordo di mandata filettato femmina 3/8" NPT

Model	Inlet	Hose Diameter Ø	Hose Material	Length	Open / Enclosed	Coating	Spray Gun	Mounting Bracket	Pressure Range	Temperature Range	Stocking Article in Europe
B-7142-C05	3/8" NPT female	3/8"	Rubber, non-marking	15 m	Enclosed	Stainless steel	MV-2522-24	Multi-fit bracket	1.38 - 8.62 bar	4.44 - 93° C	x

Spare Parts Kits and Accessories

Model	Description	Model	Description
MV-2522-24	Front Trigger Gun, 3/16" Orifice	019561-45	3/8" x 50' Swivel Repair Kit
014937-45	Roller Repair Kit	019473-45	3/8" x 50' O-Ring Replacement Kit
014949-45	Hose Stop Repair Kit	014940-45	Ratchet Repair Kit
014942-45	3/8" x 50' Hose Replacement Kit	019652-40	3/8" NPT Live Swivel
014935-45	Large Stainless Steel Spring	001359-40	Hex Bushing, 1/2" NPT Male x 3/8" NPT Female



B-7212-05

B-7212-05 Open Epoxy Coated Steel Hose Reel

- EN** Open epoxy coated hose reel, front trigger water gun with swivel, 3/8" x 4.57 m heavy-duty non-marking hose, ratcheting system, multi-fit bracket, adjustable hose bumper and 3/8" NPT female inlet.
- ESP** Carrete para manguera abierto recubierto con resina epoxi, pistola de agua giratoria con gatillo frontal, manguera que no deja marcas, de alta resistencia de 3/8" x 4.57 m, sistema de avance gradual, soporte de ajuste múltiple, protector de manguera ajustable y entrada hembra de 3/8" NPT.
- GER** Offene, epoxybeschichtete Schlauchhaspel, Wasserpistole mit vorderem Auslöser und Drehgelenk, 3/8" x 4,57 m hochbeanspruchbarer, nicht abfärbender Schlauch, Ratschensystem, Multifit-Halterung, einstellbarer Schlauchdämpfer und 3/8" NPT-Einlass, weiblich.
- FR** Enrouleur de flexible ouvert revêtu d'époxy, pistolet à eau à gâchette avant avec pivot, flexible résistant non marquant 3/8 po. x 4,57 m, système de cliquet, support multi-fit, butée de flexible réglable et entrée femelle 3/8 po. NPT.
- ITA** Avvolgitubo aperto con rivestimento epossidico, pistola ad acqua con leva di attivazione anteriore e raccordo girevole, tubo resistente antitraccia 3/8" x 4,57 m, sistema di blocco del tubo a intervalli regolari, staffa regolabile, boccola ferma-tubo e raccordo di mandata filettato femmina 3/8" NPT

Model	Inlet	Hose Diameter Ø	Hose Material	Length	Open / Enclosed	Coating	Spray Gun	Mounting Bracket	Pressure Range	Temperature Range	Stocking Article in Europe
B-7212-05	3/8" NPT female	3/8"	Rubber, non-marking	4.57 m	Open	Epoxy coated	MV-2522-24	Multi-fit bracket	1.38 - 8.62 bar	4.44 - 93° C	x

Spare Parts Kits and Accessories

Model	Description	Model	Description
MV-2522-24	Front Trigger Gun, 3/16" Orifice	014948-45	O-Ring Replacement Kit
001359-40	Hex Bushing, 1/2" NPT Male x 3/8" NPT Female	014932-45	Small Coated Spring Assembly
014944-45	3/8" x 15' Hose Replacement Kit	014938-45	Roller Replacement Kit
014949-45	Hose Stop Repair Kit	014940-45	Ratchet Repair Kit
014946-45	3/8" Swivel Repair Kit	019652-40	3/8" NPT Live Swivel



B-7222-C05

B-7222-C05 Enclosed Epoxy Coated Steel Hose Reel

- EN** Enclosed epoxy coated hose reel, stainless steel front trigger water gun and swivel with 5/16" orifice, 3/8" x 9 m heavy-duty non-marking hose, ratcheting system, multi-fit bracket, adjustable hose bumper and 3/8" NPT female inlet.
- ESP** Carrete para manguera cerrado recubierto con resina epoxi, pistola de agua de acero inoxidable con gatillo frontal y eslabón giratorio con orificio de 5/16", manguera que no deja marcas, de alta resistencia de 3/8" x 9 m, sistema de avance gradual, soporte de ajustes múltiples, protector de manguera ajustable y entrada hembra de 3/8" NPT.
- GER** Umschlossene epoxybeschichtete Schlauchhaspel, Edelstahlwasserpistole mit vorderem Auslöser und Drehgelenk mit 5/16" Öffnung, 3/8" x 9 m hochbeanspruchbarer, nicht abfärbender Schlauch, Ratschensystem, Multifit-Halterung, einstellbarer Schlauchdämpfer und 3/8" NPT-Einlass, weiblich.
- FR** Enrouleur de flexible ouvert revêtu d'époxy, pistolet à eau à gâchette avant en acier inoxydable avec pivot avec orifice de 5/16 po., flexible résistant non marquant 3/8 po. x 9 m, système de cliquet, support multi-fit, butée de flexible réglable et entrée femelle 3/8 po. NPT.
- ITA** Avvolgitubo chiuso con rivestimento epossidico, idropistola con leva di attivazione anteriore e raccordo girevole, foro di erogazione 5/16", tubo resistente antitraccia 3/8" x 9 m, sistema di blocco del tubo a intervalli regolari, staffa regolabile, boccola ferma-tubo e raccordo di mandata filettato femmina 3/8" NPT

Model	Inlet	Hose Diameter Ø	Hose Material	Length	Open / Enclosed	Coating	Spray Gun	Mounting Bracket	Pressure Range	Temperature Range	Stocking Article in Europe
B-7222-C05	3/8" NPT female	3/8"	Rubber, non-marking	9 m	Enclosed	Epoxy coated	MV-2522-24	Multi-fit bracket	1.38 - 8.62 bar	4.44 - 93° C	x

Spare Parts Kits and Accessories

Model	Description	Model	Description
MV-2522-24	Front Trigger Gun, 5/16" Orifice	014948-45	O-Ring Replacement Kit
001359-40	Hex Bushing, 1/2" NPT Male x 3/8" NPT Female	014932-45	Small Coated Spring Assembly
014943-45	3/8" x 30' Hose Replacement Kit	014936-45	Roller Replacement Kit
014949-45	Hose Stop Repair Kit	014940-45	Ratchet Repair Kit
014946-45	3/8" Swivel Repair Kit	019652-40	3/8" NPT Live Swivel



B-7232-05

B-7232-05 Open Epoxy Coated Steel Hose Reel

- EN** Open coated hose reel, stainless steel front trigger water gun and swivel with 5/16" orifice, 3/8" x 10 m heavy-duty non-marking hose, ratcheting system, multi-fit bracket, adjustable hose bumper and 3/8" NPT female inlet.
- ESP** Carrete para manguera abierto recubierto, pistola de agua de acero inoxidable con gatillo frontal y eslabón giratorio con orificio de 5/16", manguera que no deja marcas, de alta resistencia de 3/8" x 10 m, sistema de avance gradual, soporte de ajuste múltiple, protector de manguera ajustable y entrada hembra de 3/8" NPT.
- GER** Offene beschichtete Schlauchhaspel, Edelstahlwasserpistole mit vorderem Auslöser und Drehgelenk mit 5/16" Öffnung und 3/8" NPT-Einlass, männlich, 3/8" x 10 m hochbeanspruchbarer, nicht abfärbender Schlauch, Ratschensystem, Multifit-Halterung, einstellbarer Schlauchdämpfer und 3/8" NPT-Einlass, weiblich.
- FR** Enrouleur de flexible ouvert revêtu, pistolet à eau à gâchette avant en acier inoxydable avec pivot avec orifice de 5/16 po., flexible résistant non marquant 3/8 po. x 10 m, système de cliquet, support multi-fit, butée de flexible réglable et entrée femelle 3/8 po. NPT.
- ITA** Avvolgitubo aperto con rivestimento epossidico, idropistola in acciaio inox con leva di attivazione anteriore e raccordo girevole, foro di erogazione 5/16", tubo resistente antitraccia 3/8" x 10 m, sistema di blocco del tubo a intervalli regolari, staffa regolabile, boccola ferma-tubo e raccordo di mandata filettato femmina 3/8" NPT

Model	Inlet	Hose Diameter Ø	Hose Material	Length	Open / Enclosed	Coating	Spray Gun	Mounting Bracket	Pressure Range	Temperature Range	Stocking Article in Europe
B-7232-05	3/8" NPT female	3/8"	Rubber, non-marking	10 m	Open	Epoxy coated	MV-2522-24	Multi-fit Bracket	1.38 - 8.62 bar	4.44 - 93° C	x

Spare Parts Kits and Accessories

Model	Description	Model	Description
MV-2522-24	Front Trigger Gun, 5/16" Orifice	014932-45	Small Coated Spring
001359-40	Hex Bushing, 1/2" NPT Male x 3/8" NPT Female	014946-45	3/8" Swivel Repair Kit
014938-45	Roller Repair Kit	014948-45	O-Ring Replacement Kit
014949-45	Hose Stop Repair Kit	014940-45	Ratchet Repair Kit
014941-45	3/8" x 35' Hose Replacement Kit	019652-40	3/8" NPT Live Swivel



B-7242-05

B-7242-05 Open Epoxy Coated Steel Hose Reels

- EN** Open epoxy coated hose reel, front trigger water gun with swivel, 3/8" x 15 m heavy-duty non-marking hose, ratcheting system, multi-fit bracket, adjustable hose bumper and 3/8" NPT female inlet.
- ESP** Carrete para manguera abierto recubierto con resina epoxi, pistola de agua giratoria con activador frontal, manguera que no deja marcas, de alta resistencia de 3/8" x 15 m, sistema de avance gradual, soporte de ajuste múltiple, protector de manguera ajustable y entrada hembra de 3/8" NPT.
- GER** Offene epoxybeschichtete Schlauchhaspel, Wasserpistole mit vorderem Auslöser und Drehgelenk, 3/8" x 15 m hochbeanspruchbarer, nicht abfärbender Schlauch, Ratschensystem, Multifit-Halterung, einstellbarer Schlauchdämpfer und 3/8" NPT-Einlass, weiblich.
- FR** Enrouleur de flexible ouvert revêtu d'époxy, pistolet à eau à gâchette avant avec pivot, flexible résistant non marquant 3/8 po. x 15 m, système de cliquet, support multi-fit, butée de flexible réglable et entrée femelle 3/8 po. NPT.
- ITA** Avvolgitubo aperto con rivestimento epossidico, idropistola con leva di attivazione anteriore e raccordo girevole, tubo resistente antitraccia 3/8" x 15 m, sistema di blocco del tubo a intervalli regolari, staffa regolabile, boccola ferma-tubo e raccordo di mandata filettato femmina 3/8" NPT

Model	Inlet	Hose Diameter Ø	Hose Material	Length	Open / Enclosed	Coating	Spray Gun	Mounting Bracket	Pressure Range	Temperature Range	Stocking Article in Europe
B-7242-05	3/8" NPT female	3/8"	Rubber, non-marking	15 m	Open	Epoxy coated	MV-2522-24	Multi-fit Bracket	1.38 - 8.62 bar	4.44 - 93° C	x

Spare Parts Kits and Accessories

Model	Description	Model	Description
MV-2522-24	Front Trigger Gun, 5/16" Orifice	019473-45	3/8" x 50' O-Ring Replacement Kit
001359-40	Hex Bushing, 1/2" NPT Male x 3/8" NPT Female	014934-45	Large Coated Spring
014942-45	3/8" x 50' Hose Replacement Kit	014938-45	Roller Replacement Kit
014949-45	Hose Stop Repair Kit	014940-45	Ratchet Repair Kit
019561-45	3/8" x 50' Swivel Repair Kit	019652-40	3/8" NPT Live Swivel



B-7242-C05

B-7242-C05 Enclosed Epoxy Coated Steel Hose Reel

- EN** Enclosed epoxy coated hose reel, front trigger water gun with swivel, 3/8" x 15 m heavy-duty non-marking hose, ratcheting system, multi-fit bracket, adjustable hose bumper and 3/8" NPT female inlet.
- ESP** Carrete para manguera cerrado recubierto con resina epoxi, pistola de agua giratoria con activador frontal, manguera que no deja marcas, de alta resistencia de 3/8" x 15 m, sistema de avance gradual, soporte de ajuste múltiple, protector de manguera ajustable y entrada hembra de 3/8" NPT.
- GER** Umschlossene epoxybeschichtete Schlauchhaspel, Wasserpistole mit vorderem Auslöser und Drehgelenk, 3/8" x 15 m hochbeanspruchbarer, nicht abfärbender Schlauch, Ratschensystem, Multifit-Halterung, einstellbarer Schlauchdämpfer und 3/8" NPT-Einlass, weiblich.
- FR** Enrouleur de flexible fermé revêtu d'époxy, pistolet à eau à gâchette avant avec pivot, flexible résistant non marquant 3/8 po. x 15 m, système de cliquet, support multi-fit, butée de flexible réglable et entrée femelle 3/8 po. NPT.
- ITA** Avvolgitubo chiuso con rivestimento epossidico, idropistola con leva di attivazione anteriore e raccordo girevole, tubo resistente antitraccia 3/8" x 15 m, sistema di blocco del tubo a intervalli regolari, staffa regolabile, boccola ferma-tubo e raccordo di mandata filettato femmina 3/8" NPT

Model	Inlet	Hose Diameter Ø	Hose Material	Length	Open / Enclosed	Coating	Spray Gun	Mounting Bracket	Pressure Range	Temperature Range	Stocking Article in Europe
B-7242-C05	3/8" NPT female	3/8"	Rubber, non-marking	15 m	Enclosed	Epoxy coated	MV-2522-24	Multi-fit Bracket	1.38 - 8.62 bar	4.44 - 93° C	x

Spare Parts Kits and Accessories

Model	Description	Model	Description
MV-2522-24	Front Trigger Gun, 5/16" Orifice	019473-45	3/8" x 50' O-Ring Replacement Kit
001359-40	Hex Bushing, 1/2" NPT Male x 3/8" NPT Female	014934-45	Large Coated Spring Assembly
014942-45	3/8" x 50' Hose Replacement Kit	014936-45	Roller Replacement Kit
014949-45	Hose Stop Repair Kit	014940-45	Ratchet Repair Kit
019561-45	3/8" x 50' Swivel Repair Kit	019652-40	3/8" NPT Live Swivel



B-7161-C

B-7161-C Combi Oven

- EN Enclosed reel with stainless steel shroud, quarter-turn ball valve shut-off, self-closing push button spray valve, 1.8 m black hose, ratcheting system, anti-lockout and ¼" NPT male inlet.
- ESP Carrete cerrado con cubierta de acero inoxidable, cierre con válvula de bola de un cuarto de vuelta, válvula aspersora con botón de cierre automático, manguera negra de 1.8 m, sistema de avance gradual, antibloqueo y entrada macho de ¼" NPT.
- GER Umschlossene Haspel mit Edelstahlummantelung, Absperrkugelventil mit Vierteldrehung, selbstschließendes Tastsprühventil, 1,8 m schwarzem Schlauch, Ratschensystem, Anti-Absperrung und ¼" NPT-Einlass, männlich.
- FR Enrouleur fermé avec capot en acier inoxydable, vanne d'arrêt à bille quart de tour, vanne de pulvérisation à bouton-poussoir à fermeture automatique, flexible noir de 1,8 m, système à cliquet, anti-blocage et entrée mâle ¼" NPT.
- ITA Avvolgitore chiuso con guscio in acciaio inossidabile, valvola a sfera con chiusura ad un quarto di giro, testa doccia a pulsante, tubo nero L. 1,8 m, sistema a cricchetto, antibloccaggio e raccordo maschio da ¼" NPT.

Model	Inlet	Hose Diameter Ø	Hose Material	Length	Open / Enclosed	Coating	Spray Gun	Mounting Bracket	Pressure Range	Temperature Range	Stocking Article in Europe
B-7161-C	¼" NPT male	¼"	Rubber	1.8 m	closed	Stainless steel	Push Button	Multi-fit bracket	1.38 - 8.62 bar	4.44 - 60° C	x

Spare Parts Kits and Accessories

Model	Description
018332-45	Push Button Spray Valve
018528-45	Quarter-Turn Supply Valve
018355-45	Ratchet Repair Kit
018327-45	6' (1.83m) of ¼" Black Hose w/ Bend Restrictors
018325-45	Hose Guide Repair Kit



5HR-222-12

5HR-222-12 Black Powder Coated Steel Hose Reel

- EN Open epoxy coated steel hose reel with front trigger brass water gun, ¾" x 7.6 m hose, ratcheting system, multi-fit bracket, adjustable hose bumper and ¾" NPT female inlet.
- ESP Carrete para manguera abierto de acero recubierto con resina epoxi con pistola de agua de latón con gatillo frontal, manguera de ¾" x 7.6 m, sistema de avance gradual, soporte de ajuste múltiple, protector de manguera ajustable y entrada hembra de ¾" NPT.
- GER Offene epoxybeschichtete Edelstahlschlauchhaspel, gebürstete Wasserpistole mit vorderem Auslöser, ¾" x 7,6 m Schlauch, Ratschensystem, Multifit-Halterung, einstellbarer Schlauchdämpfer und ¾" NPT-Einlass, weiblich.
- FR Enrouleur de flexible ouvert revêtu d'époxy, pistolet à eau à gâchette avant, flexible résistant non marquant ¾ po. x 7,6 m, système de cliquet, support multi-fit, butée de flexible réglable et entrée femelle ¾ po. NPT.
- ITA Avvolgitubo aperto in acciaio con rivestimento epossidico, idropistola in ottone con leva di attivazione anteriore, tubo ¾" x 7.6 m, sistema di blocco del tubo a intervalli regolari, staffa regolabile, boccola ferma-tubo e raccordo di mandata filettato femmina ¾" NPT

Model	Inlet	Hose Diameter Ø	Hose Material	Length	Open / Enclosed	Coating	Spray Gun	Mounting Bracket	Pressure Range	Temperature Range	Stocking Article in Europe
5HR-222-12	¾" NPT female	¾"	Rubber, non-marking	7.6 m	Open	Black powder coated steel	EMV-0522-24	Multi-fit bracket	1.38 - 8.62 bar	4.44 - 60° C	x

Spare Parts Kits and Accessories

Model	Description	Model	Description
5HR-25A	Complete ¾" Swivel Assembly	019246-45	Hose Stop Repair Kit
014948-45	Seal Kit	001359-40	Hex Bushing, ½" Male x ¾" Female
G016682-45	Spring Assembly	EMV-0522-24	Front Trigger Brass Water Gun
014940-45	Ratchet Repair Kit	G016631-45	Roller Kit
5HR-2H5E-25	Ø ¾" x 25' Hose		



5HR-232-12

5HR-232-12 Black Powder Coated Steel Hose Reel

- EN Open epoxy coated steel hose reel with front trigger brass water gun, 3/8" x 10 m hose, ratcheting system, multi-fit bracket, adjustable hose bumper and 3/8" NPT female inlet.
- ESP Carrete para manguera abierto de acero recubierto con resina epoxi con pistola de agua de latón con gatillo frontal, manguera de 3/8" x 10 m, sistema de avance gradual, soporte de ajuste múltiple, protector de manguera ajustable y entrada hembra de 3/8" NPT.
- GER Offene epoxybeschichtete Edelstahlschlauchhaspel, gebürstete Wasserpistole mit vorderem Auslöser, 3/8" x 10 m Schlauch, Ratschensystem, Multifit-Halterung, einstellbarer Schlauchdämpfer und 3/8" NPT-Einlass, weiblich.
- FR Enrouleur de flexible ouvert revêtu d'époxy, pistolet à eau à gâchette avant, flexible résistant non marquant 3/8 po. x 10 m, système de cliquet, support multi-fit, butée de flexible réglable et entrée femelle 3/8 po. NPT.
- ITA Avvolgitubo aperto in acciaio con rivestimento epossidico, idropistola in ottone con leva di attivazione anteriore, tubo 3/8" x 10 m, sistema di blocco del tubo a intervalli regolari, staffa regolabile, boccola ferma-tubo e raccordo di mandata filettato femmina 3/8" NPT

Model	Inlet	Hose Diameter Ø	Hose Material	Length	Open / Enclosed	Coating	Spray Gun	Mounting Bracket	Pressure Range	Temperature Range	Stocking Article in Europe
5HR-232-12	3/8" NPT female	3/8"	Rubber, non-marking	10 m	Open	Black powder coated steel	EMV-0522-24	Multi-fit bracket	1.38 - 8.62 bar	4.44 - 60° C	x

Spare Parts Kits and Accessories

Model	Description	Model	Description
5HR-2SA	Complete 3/8" Swivel Assembly	019246-45	Hose Stop Repair Kit
014948-45	Seal Kit	001359-40	Hex Bushing, 1/2" Male x 3/8" Female
G016682-45	Spring Assembly	EMV-0522-24	Front Trigger Brass Water Gun
014940-45	Ratchet Repair Kit	G016631-45	Roller Kit
5HR-2HSE-35	Ø 3/8" x 35' Hose		



5HR-242-12

5HR-242-12 Black Powder Coated Steel Hose Reel

- EN Open epoxy coated steel hose reel with front trigger brass water gun, 3/8" x 15 m hose, ratcheting system, multi-fit bracket, adjustable hose bumper and 3/8" NPT female inlet.
- ESP Carrete para manguera abierto de acero recubierto con resina epoxi, pistola de agua de latón con gatillo frontal, manguera de 3/8" x 15 m, sistema de avance gradual, soporte de ajuste múltiple, protector de manguera ajustable y entrada hembra de 3/8" NPT.
- GER Offene epoxybeschichtete Edelstahlschlauchhaspel, gebürstete Wasserpistole mit vorderem Auslöser, 3/8" x 15 m Schlauch, Ratschensystem, Multifit-Halterung, einstellbarer Schlauchdämpfer und 3/8" NPT-Einlass, weiblich.
- FR Enrouleur de flexible ouvert revêtu d'époxy, pistolet à eau à gâchette avant, flexible résistant non marquant 3/8 po. x 15 m, système de cliquet, support multi-fit, butée de flexible réglable et entrée femelle 3/8 po. NPT.
- ITA Avvolgitubo aperto in acciaio con rivestimento epossidico, idropistola in ottone con leva di attivazione anteriore, tubo 3/8" x 15 m, sistema di blocco del tubo a intervalli regolari, staffa regolabile, boccola ferma-tubo e raccordo di mandata filettato femmina 3/8" NPT

Model	Inlet	Hose Diameter Ø	Hose Material	Length	Open / Enclosed	Coating	Spray Gun	Mounting Bracket	Pressure Range	Temperature Range	Stocking Article in Europe
5HR-242-12	3/8" NPT female	3/8"	Rubber, non-marking	15 m	Open	Black powder coated steel	EMV-0522-24	Multi-fit bracket	1.38 - 8.62 bar	4.44 - 60° C	x

Spare Parts Kits and Accessories

Model	Description	Model	Description
5HR-2SA	Complete 3/8" Swivel Assembly	019246-45	Hose Stop Repair Kit
014948-45	Seal Kit	001359-40	Hex Bushing, 1/2" Male x 3/8" Female
G016684-45	Spring Assembly	EMV-0522-24	Front Trigger Brass Water Gun
014940-45	Ratchet Repair Kit	G016635-45	Roller Kit
5HR-2HSE-50	3/8" x 50" Hose		



Complete T&S Hose Reel Systems

The best choice to ensure code compliance and efficiency.

When it comes to a complete washdown solution, T&S has got you covered with a wide offering of sturdy and reliable Hose Reel Systems. Configured on a smart model number system, this line features a variety of

- hose lengths and diameters
- anti-lockout ratchet design
- durable hose construction
- and several mounting bracket options to satisfy your specific application requirements.



Smart model number key for complete hose reel systems



EXAMPLE (shown above):

B-7 2 3 2 - U 01 X S1 E

Reel Material
1 = Stainless Steel
2 = Epoxy-Coated Steel

Hose Length
3/8" Diameter Options
1 = 15' (open models only)
2 = 30' (closed models only)
3 = 35' (open models only)
4 = 50'
1/2" Diameter Options
3 = 35' (open models only)
4 = 50'

Diameter
2 = 3/8"
3 = 1/2" (stainless models only)
Reel
C = Closed (3/8" only)
U = Open

Spray Valve
01 = EB-0107
1L = B-0107
02 = MV-2516-24
03 = MV-2516-34
04 = MV-2516-44
05 = MV-2522-24
06 = MV-2522-34
07 = MV-2522-44
08 = B-0108-H
8L = B-0108
10 = EB-2322
11 = MV-3516-24

Mounting Brackets
P = Pivot/Ceiling Bracket
W = Wall Swing Bracket
T = Table Leg Bracket
X = No Bracket

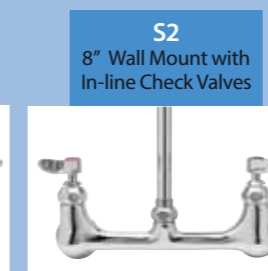
System Type*
See below

Cartridge Type
E = Eterna
C = Cerama

*SYSTEM TYPE: Model (for example):



B-7232-U01XS1E



B-7232-U01XS2E



B-7232-U01XS3
(Cartridge option N/A for S3)

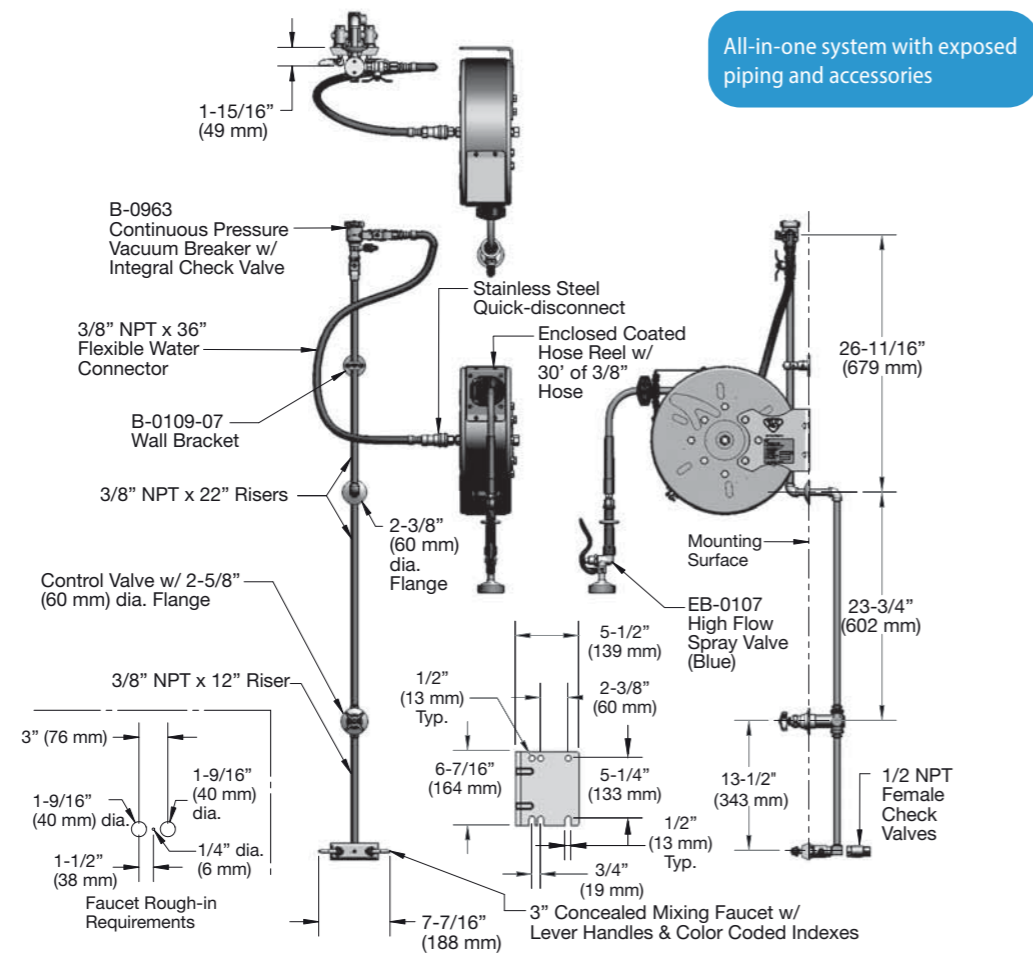


B-7232-U01WS4E



B-7232-U01XS5
(Cartridge option N/A for S5)

B-1432



Model	Inlet	Hose Diameter Ø	Hose Material	Length	Open / Enclosed	Coating	Spray Gun	Mounting Bracket	System Type	Cartridge	Pressure Range	Temperature Range	Stocking Article in Europe
B-1432	1/2" NPT female	3/8"	Rubber, non-marking	9 m	Enclosed	Epoxy coated	EB-0107	Multi-fit bracket	S3 3" concealed wall mount	Eterna compression	1.38-8.62 bar	4.44- 60° C	x

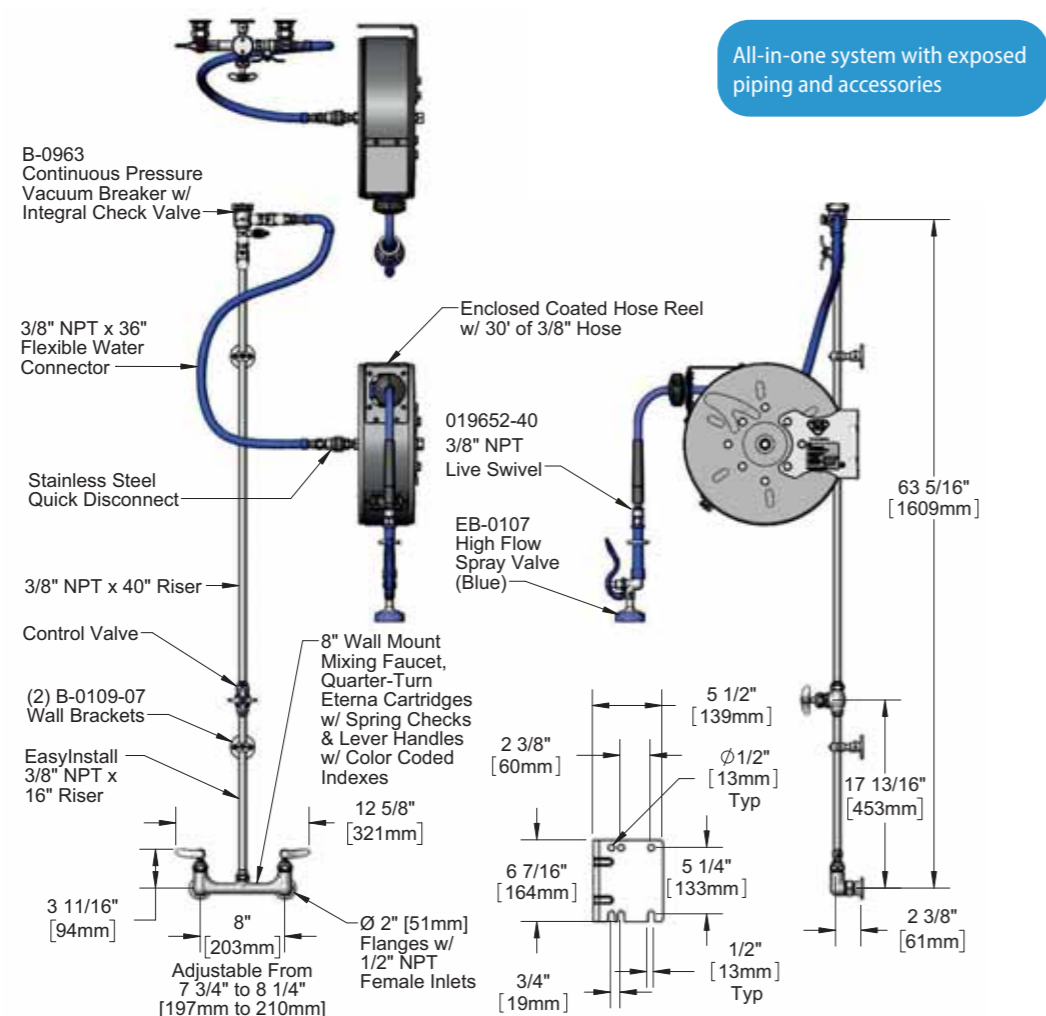
Spare Parts Kits and Accessories

Model	Description	Model	Description
B-0513	3" Concealed Mixing Faucet	002535-25	3/8" Close Nipple
B-CVH1-2	1/2" NPT Female Check Valve	B-7222-C01	Enclosed Coated Reel w/ 30' of 3/8" Hose
ORK2	Control Valve	010476-45	#27 Washer
001355-40	Elbow, 3/8" NPT	EB-0107	High Flow Spray Valve (Blue)
B-0963	1/2" NPT Continuous Pressure Vacuum Breaker w/ Integral Check Valve	001359-40	1/2" NPT Male x 3/8" NPT Female Hex Bushing
HW-28-36	3/8" NPT x 36" Flexible Water Hose	012504-40	Grip Handle (Blue), 3/8" NPT
AW-SB	3/8" NPT Quick Disconnect	019652-40	3/8" NPT Live Swivel

B-1432 Complete T&S Hose Reel System

- EN** Hose reel system, 76 mm concealed wall mount mixing faucet with polished chrome plated brass escutcheon and rough brass body, compression cartridges with spring checks, lever handles, 3/8" NPT female inlets, 1/2" NPT in-line check valves with 1/2" NPT female inlets, 305 mm riser, concealed control valve, (2) 559 mm risers, wall bracket, angled slip flange, continuous pressure vacuum breaker, 914 mm flexible water hose connector with stainless steel quick disconnect, enclosed coated hose reel with 3/8" x 9 m heavy-duty non-marking hose, ratcheting system, high flow spray valve with swivel, multi-fit bracket and adjustable hose bumper.
- ESP** Sistema de carrete para manguera, grifo mezclador para montaje en pared oculto de 76 mm con placa de cubierta de latón cromado pulido y cuerpo de latón rugoso, cartuchos de compresión con válvulas de retención con resorte, manuales de palanca, entradas hembra de 3/8" NPT, válvulas de retención en línea de 1/2" NPT con entradas hembra de 1/2" NPT, tubo de subida de 305 mm, válvula de control oculta, (2) tubos de subida de 559 mm, soporte para pared, brida deslizante en ángulo, interruptor de vacío de presión continua, conector de manguera de agua flexible de 914 mm con desacoplamiento rápido de acero inoxidable, carrete para manguera cerrado revestido, con manguera que no deja marcas, de alta resistencia de 3/8" x 9 m, sistema de avance gradual, válvula aspensora de caudal alto con eslabón giratorio, soporte de ajuste múltiple y protector de manguera ajustable.
- GER** Schlauchhaspelsystem, verdeckter 76 mm Wasserhahn zur Wandmontage mit polierter, chromplattierter, gebürsteter Rosette und grob gebürstetem Hauptteil, Kompressionskartuschen mit Stellfedern, Hebeln, 3/8" NPT-Einlässen, weiblich, 1/2" NPT-Inline-Absperrventilen mit 1/2" NPT-Einlässen, weiblich, 305 mm Steigleitung, verdecktes Regelventil, (2) 559 mm Steigleitungen, Wandhalterung, abgewinkelter Slip-Flansch, Vakuumbrecher mit fortlaufendem Druck, biegsamer 914 mm Wasserschlauchanschluss mit Schnellabkopplung, umschlossene beschichtete Schlauchhaspel mit 3/8" x 9 m hochbeanspruchbarem, nicht abfärbendem Schlauch, Ratschensystem, Sprühventil für hohen Fluss mit Drehgelenk, Multifit-Halterung und einstellbarem Schlauchdämpfer.
- FR** Système d'enrouleur de flexible, robinet mélangeur mural encastré de 76 mm avec écusson en laiton chromé poli et corps en laiton brut, cartouches à compression avec clapets à ressort, poignées à levier, entrées femelles 3/8 po. NPT, clapets anti-retour en ligne 1/2 po. NPT avec entrées femelles 1/2 po. NPT, colonne montante de 305 mm, vanne de commande encastrée, (2) colonnes montantes de 559 mm, support mural, bride coulissante coudée, casse-vidé à pression continue, connecteur de flexible de 914 mm avec raccord rapide en acier inoxydable, enrouleur de flexible fermé revêtu avec flexible résistant non marquant de 3/8 po. x 9 m, système à cliquet, vanne de pulvérisation à haut débit avec pivot, support multi-fit et butée de flexible réglable.
- ITA** Sistema avvolgitubo completo, rubinetto miscelatore a parete a scomparsa da 76 mm con ghiera in ottone cromato e corpo in ottone grezzo, vitoni a compressione, maniglie a leva, raccordi femmina 3/8" NPT, valvole di non ritorno in linea 1/2" NPT con raccordi femmina 1/2" NPT, tubo verticale L. 305 mm, valvola di controllo a scomparsa, (2) tubi verticali L. 559 mm, staffa a parete, flangia angolata, rompivuoto a pressione continua, flessibile di mandata L. 914 mm con attacco rapido in acciaio inox, avvolgitubo chiuso rivestito, tubo resistente antitraccia 3/8" x 9 m, sistema di blocco del tubo a intervalli regolari, idropistola ad alta portata con raccordo girevole, staffa e boccola ferma-tubo regolabili.

B-1433



Model	Inlet	Hose Diam-eter Ø	Hose Material	Length	Open / Enclosed	Coating	Spray Gun	Mounting Bracket	System Type	Cartridge	Pressure Range	Temperature Range	Stocking Article in Europe
B-1433	1/2" NPT female	3/8"	Rubber, non-marking	9 m	Enclosed	Epoxy coated	EB-0107	Multi-fit bracket	S1 8" Wall mount	Eterna compression	1.38-8.62 bar	4.44- 60° C	×

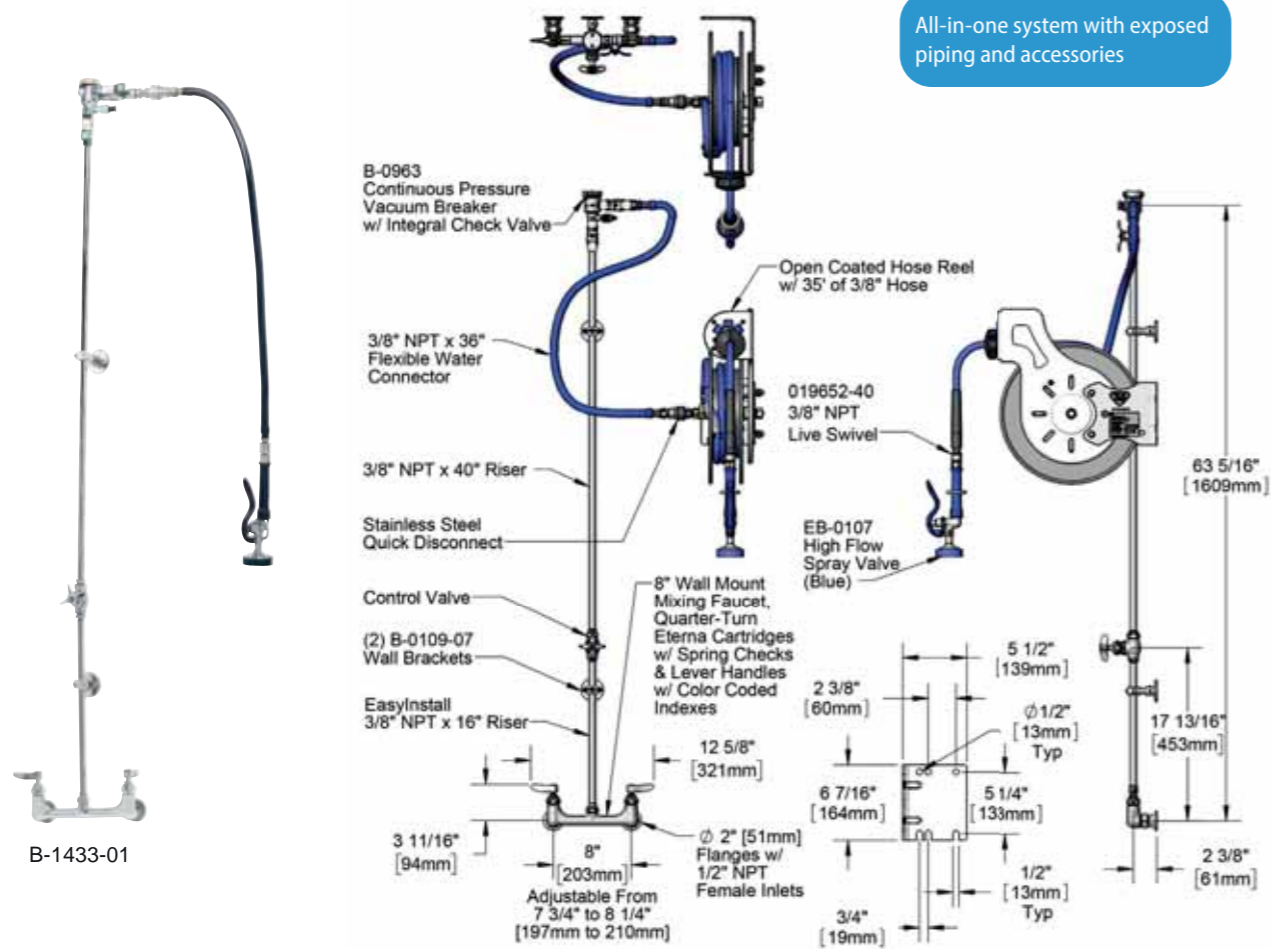
Spare Parts Kits and Accessories

Model	Description	Model	Description
002832-40	8" Wall Mount Mixing Faucet	015073-40	Check Valve w/ 1/2" NPT Adapter
014200-45	Star Washer, Anti-Rotation	HW-2B-36	3/8" NPT x 36" Flexible Water Hose
001065-45	O-Ring	AW-5B	3/8" NPT Quick Disconnect
EZ-K	EasyInstall Kit	B-7222-C01	Enclosed Hose Reel w/ 3/8" x 30' Hose
000368-40	Nipple, 3/8" x 16"	012504-40	Grip Handle (Blue), 3/8" NPT
ORK3	Control Valve	010476-45	#27 Washer
001359-40	Hex Bushing, 1/2" NPT Male x 3/8" NPT Female	EB-0107	High Flow Spray Valve (Blue)
B-0963	1/2" NPT Continuous Pressure Vacuum Breaker w/ Integral Check Valve	019652-40	3/8" NPT Live Swivel

B-1433 Complete T&S Hose Reel System

- EN** Hose reel system, 203 mm wall mount mixing faucet with polished chrome plated brass body, compression cartridges with spring checks, lever handles, 1/2" NPT female inlets, 406 mm riser, control valve, 1016 mm riser, wall brackets, continuous pressure vacuum breaker, 914 mm flexible water hose connector with stainless steel quick disconnect, enclosed coated hose reel with 3/8" x 30' heavy-duty non-marking hose, ratcheting system, high flow spray valve with swivel, multi-fit bracket and adjustable hose bumper.
- ESP** Sistema de carrete para manguera, grifo mezclador para montaje en pared de 203 mm con cuerpo de latón cromado pulido, cartuchos de compresión con válvulas de retención con resorte, manuales de palanca, entradas hembra de 1/2" NPT, tubo de subida de 406 mm, válvula de control, tubo de subida de 1016 mm, soportes para pared, interruptor de vacío de presión continua, conector de manguera de agua flexible de 914 mm con desacoplamiento rápido de acero inoxidable, carrete para manguera cerrado revestido, con manguera que no deja marcas, de alta resistencia de 3/8" x 30 pies, sistema de avance gradual, válvula aspersora de alto caudal con eslabón giratorio, soporte de ajuste múltiple y protector de manguera ajustable.
- GER** Schlauchhaspelsystem, 203 mm Mischer zur Wandmontage mit poliertem, chromplattiertem, gebürstetem Hauptstück, Kompressionskaruschen mit Stellfedern, Hebeln, 1/2" NPT-Einlässen, weiblich, 406 mm Steigleitung, Absperrventil, 1.016 mm Steigleitung, Wandhalterungen, Vakuumbrecher mit fortlaufendem Druck, biegsamer 914 mm Wasserschlauchanschluss mit Edelstahlschnellabkopplung, umschlossener beschichteter Schlauchhaspel mit 3/8" x 30' hochbeanspruchbarem, nicht abfärbendem Schlauch, Ratschensystem, Sprühventil für hohen Fluss und Drehgelenk, Multifit-Halterung und einstellbarem Schlauchdämpfer.
- FR** Système d'enrouleur de flexible, robinet mélangeur mural de 203 mm avec corps en laiton chromé poli, cartouches à compression avec clapets à ressort, poignées à levier, entrées femelles 1/2 po. NPT, colonne montante de 406 mm, vanne de commande, colonne montante de 1016 mm, supports muraux, casse-vidé à pression continue, connecteur de flexible de 914 mm avec raccord rapide en acier inoxydable, enrouleur de flexible fermé revêtu avec flexible résistant non marquant de 3/8 po. x 30 pi., système à cliquet, vanne de pulvérisation à haut débit avec pivot, support multi-fit et butée de flexible réglable.
- ITA** Sistema avvolgitubo completo, rubinetto miscelatore a parete con interasse 203 mm con corpo in ottone cromato, vitoni a compressione, maniglie a leva, raccordi femmina 1/2" NPT, tubo verticale L. 406 mm, valvola di controllo, tubo verticale L. 1016 mm, staffa a parete, rompivuoto a pressione continua, flessibile di mandata L. 914 mm con attacco rapido in acciaio inox, avvolgitubo chiuso rivestito, tubo resistente antiraccia 3/8" x 30', sistema di blocco del tubo a intervalli regolari, idropistola ad alta portata con raccordo girevole, staffa e boccola ferma-tubo regolabili.

B-1433-01



All-in-one system with exposed piping and accessories

Model	Inlet	Hose Diameter Ø	Hose Material	Length	Open / Enclosed	Coating	Spray Gun	Mounting Bracket	System Type	Cartridge	Pressure Range	Temperature Range	Stocking Article in Europe
B-1433-01	1/2" NPT female	3/8"	Rubber, non-marking	10 m	Open	Epoxy coated	EB-0107	Multi-fit bracket	S1 8" Wall mount	Eterna compression	1.38-8.62 bar	4.44-60° C	x

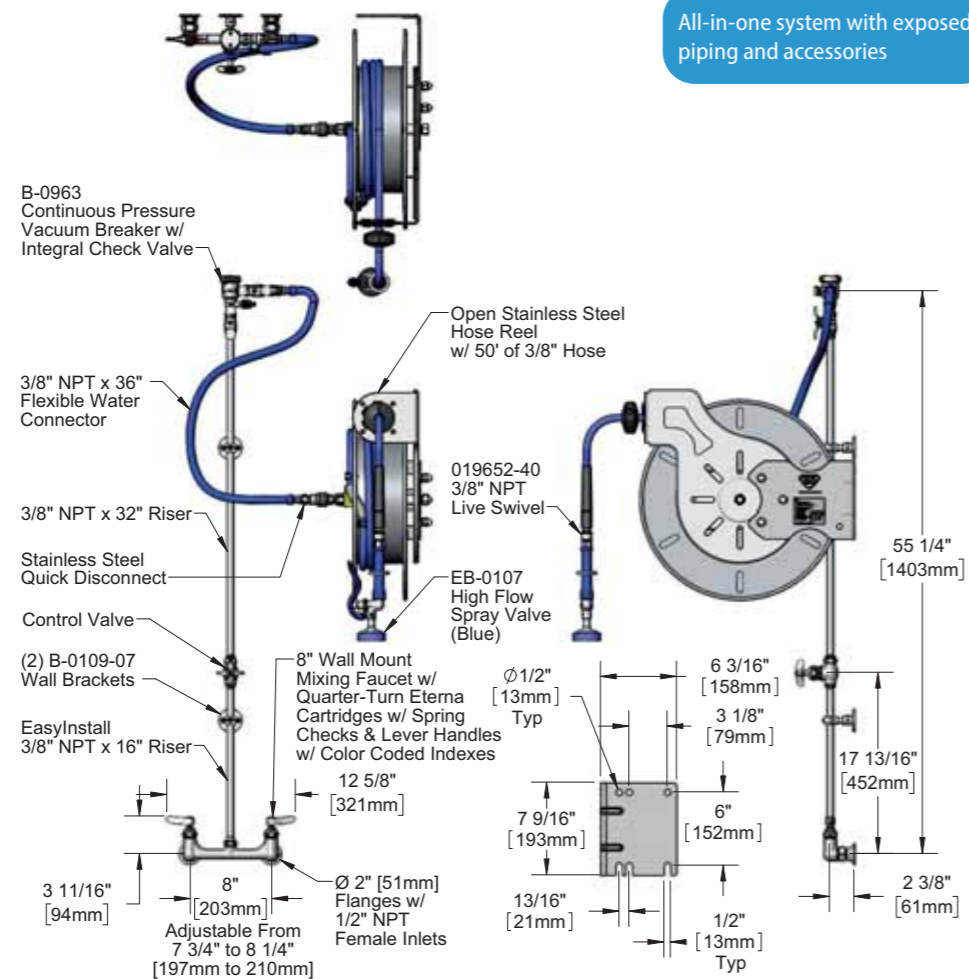
Spare Parts Kits and Accessories

Model	Description	Model	Description
002832-40	8" Wall Mount Mixing Faucet	B-7232-01	Open Coated Reel w/ 35' of 3/8" Hose
0RK3	Control Valve	012504-40	Grip Handle (Blue), 3/8" NPT
001359-40	1/2" NPT Male x 3/8" NPT Female Hex Bushing	010476-45	#27 Washer
B-0963	1/2" NPT Continuous Pressure Vacuum Breaker w/ Integral Check Valve	EB-0107	High Flow Spray Valve (Blue)
015073-40	Check Valve w/ 1/2" NPT Adapter	EZ-K	EasyInstall Kit
HW-2B-36	3/8" NPT x 36" Flexible Water Hose	001065-45	O-Ring
AW-5B	3/8" NPT Quick Disconnect	014200-45	Lock Washer
002535-25	3/8" NPT Close Nipple	019652-40	3/8" NPT Live Swivel

B-1433-01 Complete T&S Hose Reel System

- EN** Hose reel system, 203 mm wall mount mixing faucet with polished chrome plated brass body, compression cartridges with spring checks, lever handles, 1/2" NPT female inlets, 406 mm riser, control valve, 1016 mm riser, wall brackets, continuous pressure vacuum breaker, 914 mm flexible water hose connector with stainless steel quick disconnect, open coated hose reel with 3/8" x 10 m heavy-duty non-marking hose, ratcheting system, high flow spray valve with swivel and adjustable hose bumper.
- ESP** Sistema de carrete para manguera, grifo mezclador para montaje en pared de 203 mm con cuerpo de latón cromado pulido, cartuchos de compresión con válvulas de retención con resorte, manuales de palanca, entradas hembra de 1/2" NPT, tubo de subida de 406 mm, válvula de control, tubo de subida de 1016 mm, soportes para pared, interruptor de vacío de presión continua, conector de manguera de agua flexible de 914 mm con desacoplamiento rápido de acero inoxidable, carrete para manguera abierto revestido, con manguera que no deja marcas, de alta resistencia de 3/8" x 10 m, sistema de avance gradual, válvula aspersora de alto caudal con eslabón giratorio, soporte de ajuste múltiple y protector de manguera ajustable.
- GER** Schlauchhaspelsystem, 203 mm Mischer zur Wandmontage mit poliertem, chromplattiertem, gebürstetem Hauptstück, Kompressionskartuschen mit Stellfedern, Hebeln, 1/2" NPT-Einlässen, weiblich, 406 mm Steigleitung, Absperrventil, 1.016 mm Steigleitung, Wandhalterungen, Vakuumbrecher mit fortlaufendem Druck, biegsamer 914 mm Wasserschlauchanschluss mit Edelstahlschnellabkopplung, offener beschichteter Schlauchhaspel mit 3/8" x 10 m hochbeanspruchbarem, nicht abfärbendem Schlauch, Ratschensystem, Sprühventil für hohen Fluss und Drehgelenk, Multifit-Halterung und einstellbarem Schlauchdämpfer.
- FR** Système d'enrouleur de flexible, robinet mélangeur mural de 203 mm avec corps en laiton chromé poli, cartouches à compression avec clapets à ressort, poignées à levier, entrées femelles 1/2 po. NPT, colonne montante de 406 mm, vanne de commande, colonne montante de 1016 mm, supports muraux, casse-vide à pression continue, connecteur de flexible de 914 mm avec raccord rapide en acier inoxydable, enrouleur de flexible ouvert revêtu avec flexible résistant non marquant de 3/8 po. x 10 m, système à cliquet, vanne de pulvérisation à haut débit avec pivot, support multi-fit et butée de flexible réglable.
- ITA** Sistema avvolgitubo completo, rubinetto miscelatore a parete con interasse 203 mm con corpo in ottone cromato, vitoni a compressione, maniglie a leva, raccordi femmina 1/2" NPT, tubo verticale L. 406 mm, valvola di controllo, tubo verticale L. 1016 mm, staffa a parete, rompivuoto a pressione continua, flessibile di mandata L. 914 mm con attacco rapido in acciaio inox, avvolgitubo aperto rivestito, tubo resistente antiraccia 3/8" x 10m, sistema di blocco del tubo a intervalli regolari, idropistola ad alta portata con raccordo girevole, staffa e boccola ferma-tubo regolabili.

B-1434-RG



Model	Inlet	Hose Diameter Ø	Hose Material	Length	Open / Enclosed	Coating	Spray Gun	Mounting Bracket	System Type	Cartridge	Pressure Range	Temperature Range	Stocking Article in Europe
B-1434-RG	1/2" NPT female	3/8"	Rubber, non-marking	15 m	Open	Stainless steel	EB-0107	Multi-fit bracket	S1 8" Wall mount	Eterna compression	1.38-8.62 bar	4.44-60° C	x

Spare Parts Kits and Accessories

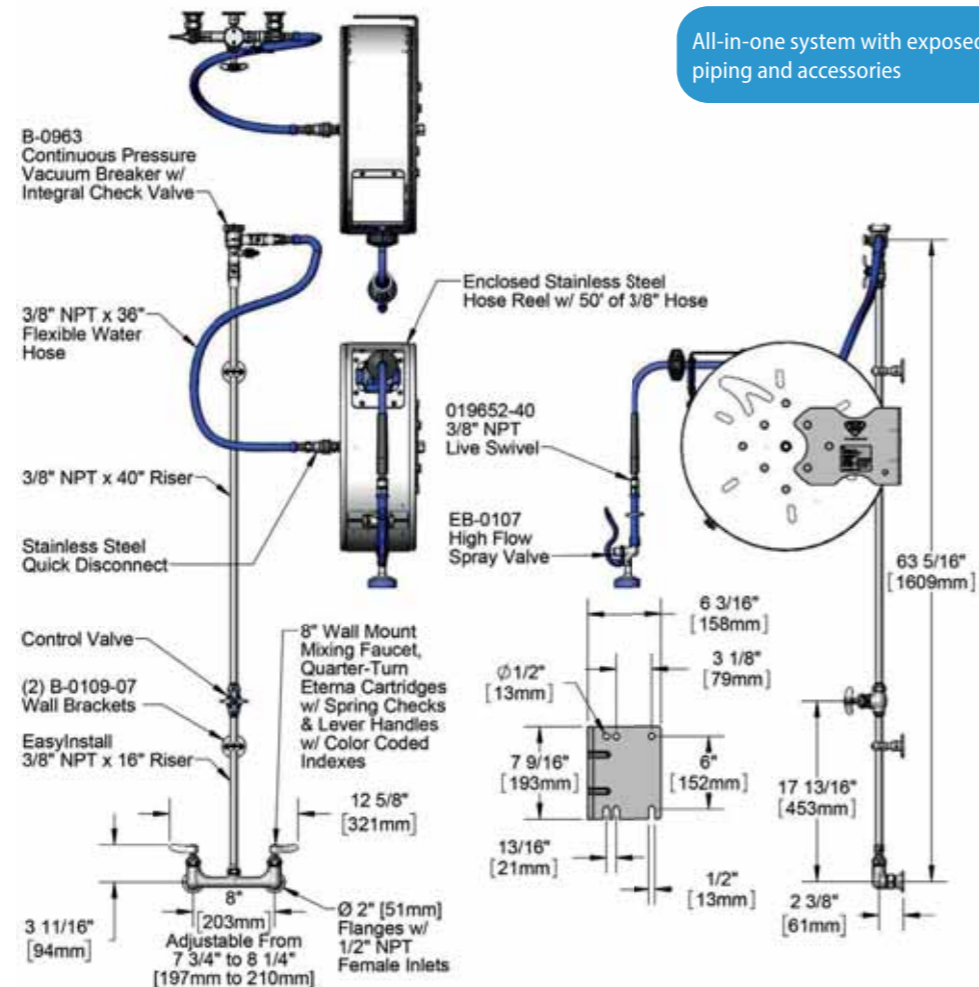
Model	Description
B-0330-LN	8" Wall Mount Mixing Faucet
ORK3	Control Valve
001359-40	Hex Bushing, 1/2" NPT Male x 3/8" NPT Female
B-0963	Vacuum Breaker 1/2" NPT Female
015073-40	Check Valve w/ 1/2" NPT Adapter
HW-2B-36	3/8" NPT x 36" Flexible Water Hose
AW-5B	3/8" NPT Quick Disconnect
002535-25	3/8" Close Nipple

Model	Description
B-7142-01	Open Stainless Steel Hose Reel w/ 50' of 3/8" Hose
012504-40	3/8" NPT Grip Handle (Blue)
010476-45	#27 Washer
EB-0107	High Flow Spray Valve (Blue)
EZ-K	EasyInstall Kit
001065-45	O-Ring
014200-45	Star Washer, Anti-Rotation
019652-40	3/8" NPT Live Swivel

B-1434-RG Complete T&S Hose Reel System

- EN** Hose reel system, 203 mm wall mount mixing faucet with polished chrome plated brass body, compression cartridges with spring checks, lever handles, 1/2" NPT female inlets, 406 mm riser, control valve, 813 mm riser, wall brackets, continuous pressure vacuum breaker, 914 mm flexible water connector with stainless steel quick disconnect, open stainless steel hose reel with 3/8" x 15 m heavy-duty non-marking hose, ratcheting system, high flow spray valve with swivel, multi-fit bracket and adjustable hose bumper.
- ESP** Sistema de carrete para manguera, grifo mezclador para montaje en pared de 203 mm con cuerpo de latón cromado pulido, cartuchos de compresión con válvulas de retención con resorte, manuales de palanca, entradas hembra de 1/2" NPT, tubo de subida de 406 mm, válvula de control, tubo de subida de 813 mm, soportes para pared, interruptor de vacío de presión continua, conector de manguera de agua flexible de 914 mm con desacoplamiento rápido de acero inoxidable, carrete para manguera abierto de acero inoxidable con manguera que no deja marcas, de alta resistencia de 3/8" x 15 m, sistema de avance gradual, válvula aspersora de alto caudal con eslabón giratorio, soporte de ajuste múltiple y protector de manguera ajustable.
- GER** Schlauchhaspelsystem, 203 mm Mischer zur Wandmontage mit poliertem, chromplattiertem, gebürstetem Hauptstück, Kompressionskaruschen mit Stellfedern, Hebeln, 1/2" NPT-Einlässen, weiblich, 406 mm Steigleitung, Absperrventil, 813 mm Steigleitung, Wandhalterungen, Vakuumbrecher mit fortlaufendem Druck, biegsamer 914 mm Wasserschlauchanschluss mit Edelstahlschnellabkopplung, offener beschichteter Schlauchhaspel mit 3/8" x 15 m hochbeanspruchbarem, nicht abfärbendem Schlauch, Ratschensystem, Sprühventil für hohen Fluss und Drehgelenk, Multifit-Halterung und einstellbarem Schlauchdämpfer.
- FR** Système d'enrouleur de flexible, robinet mélangeur mural de 203 mm avec corps en laiton chromé poli, cartouches à compression avec clapets à ressort, poignées à levier, entrées femelles 1/2 po. NPT, colonne montante de 406 mm, vanne de commande, colonne montante de 813 mm, supports muraux, casse-vide à pression continue, connecteur de flexible de 914 mm avec raccord rapide en acier inoxydable, enrouleur de flexible ouvert en acier inoxydable avec flexible résistant non marquant de 3/8 po. x 15 m, système à cliquet, vanne de pulvérisation à haut débit avec pivot, support multi-fit et butée de flexible réglable.
- ITA** Sistema avvolgitubo completo, rubinetto miscelatore a parete con interasse 203 mm con corpo in ottone cromato, vitoni a compressione, maniglie a leva, raccordi femmina 1/2" NPT, tubo verticale L. 406 mm, valvola di controllo, tubo verticale L. 813 mm, staffa a parete, rompivuoto a pressione continua, flessibile di mandata L. 914 mm con attacco rapido in acciaio inox, avvolgitubo aperto in acciaio inox, tubo resistente antitraccia 3/8" x 15m, sistema di blocco del tubo a intervalli regolari, idropistola ad alta portata con raccordo girevole, staffa e boccola ferma-tubo regolabili.

B-1444



Model	Inlet	Hose Diameter Ø	Hose Material	Length	Open / Enclosed	Coating	Spray Gun	Mounting Bracket	System Type	Cartridge	Pressure Range	Temperature Range	Stocking Article in Europe
B-1444	1/2" NPT female	3/8"	Rubber, non-marking	15 m	Enclosed	Stainless steel	EB-0107	Multi-fit bracket	S1 8" Wall mount	Eterna compression	1.38-8.62 bar	4.44-60°C	x

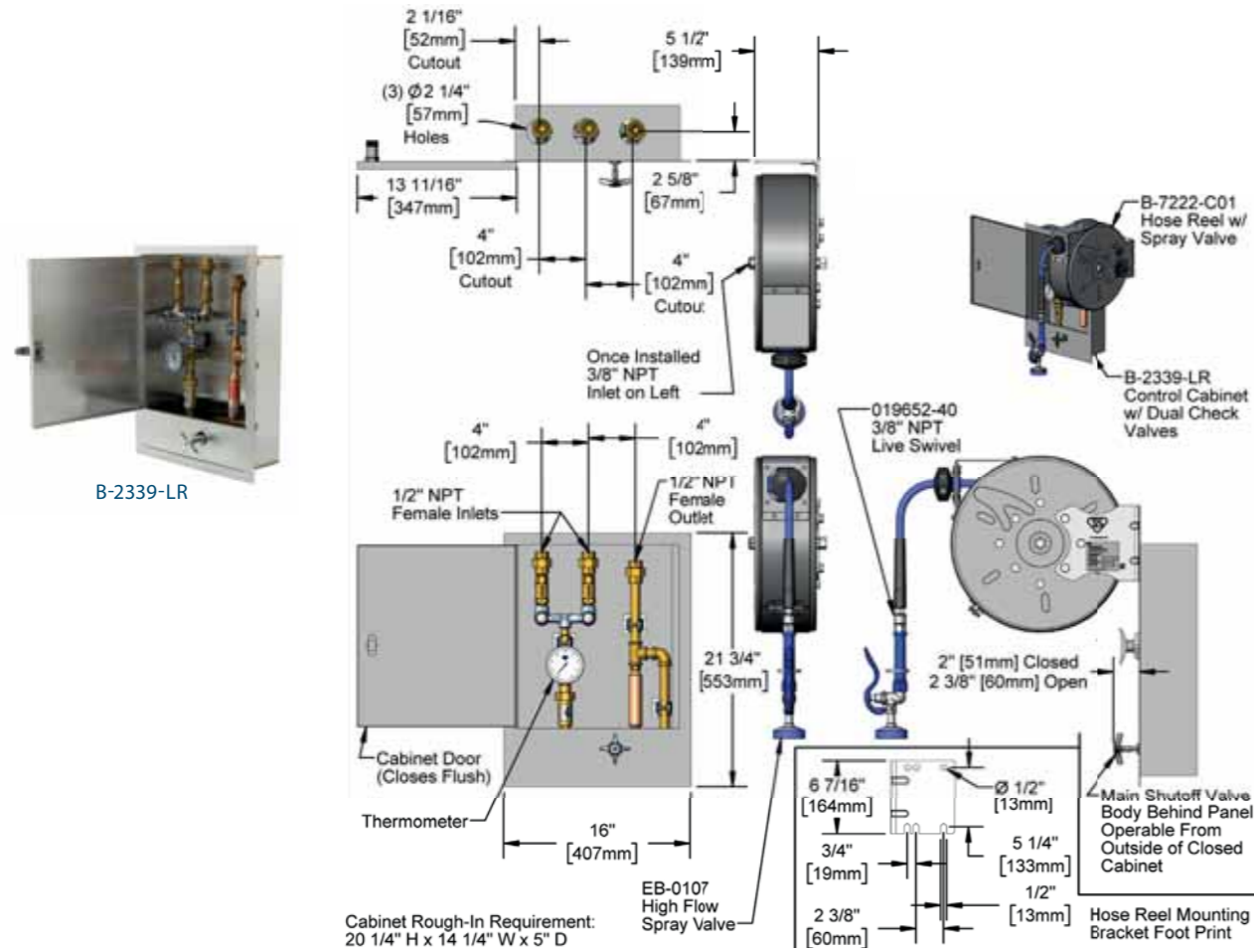
Spare Parts Kits and Accessories

Model	Description	Model	Description
B-0330-LN	8" Wall Mount Mixing Faucet	B-7142-C01	Enclosed Stainless Steel Reel 50' of 3/8" Hose
0RK3	Control Valve	012504-40	Grip Handle (Blue), 3/8" NPT
001359-40	1/2" NPT Male x 3/8" NPT Female Hex Bushing"	010476-45	#27 Washer
B-0963	1/2" NPT Continuous Pressure Vacuum Breaker w/ Integral Check Valve	EB-0107	High Flow Spray Valve (Blue)
015073-40	Check Valve w/ 1/2" NPT Adapter	EZ-K	EasyInstall Kit
HW-2B-36	3/8" NPT x 36" Flexible Water Hose	001065-45	O-Ring
AW-5B	3/8" NPT Quick Disconnect	014200-45	Lock Washer
002535-25	3/8" Close Nipple	019652-40	3/8" NPT Live Swivel

B-1444 Complete T&S Hose Reel System

- EN** Hose reel system, 203 mm wall mount mixing faucet with polished chrome plated brass body, compression cartridges with spring checks, lever handles, 1/2" NPT female inlets, 406 mm riser, control valve, 1016 mm riser, wall brackets, continuous pressure vacuum breaker, 914 mm flexible water hose connector with stainless steel quick disconnect, enclosed stainless steel hose reel with 3/8" x 15 m heavy-duty non-marking hose, ratcheting system, high flow spray valve with swivel, multi-fit bracket and adjustable hose bumper.
- ESP** Sistema de carrete para manguera, grifo mezclador para montaje en pared de 203 mm con cuerpo de latón cromado pulido, cartuchos de compresión con válvulas de retención con resorte, manuales de palanca, entradas hembra de 1/2" NPT, tubo de subida de 406 mm, válvula de control, tubo de subida de 1016 mm, soportes para pared, interruptor de vacío de presión continua, conector de manguera de agua flexible de 914 mm con desacoplamiento rápido de acero inoxidable, carrete para manguera cerrado de acero inoxidable con manguera que no deja marcas, de alta resistencia de 3/8" x 15 m, sistema de avance gradual, válvula aspersora de alto caudal con eslabón giratorio, soporte de ajuste múltiple y protector de manguera ajustable.
- GER** Schlauchhaspelsystem, 203 mm Mischer zur Wandmontage mit poliertem, chromplattiertem, gebürstetem Hauptstück, Kompressionskartuschen mit Stellfedern, Hebeln, 1/2" NPT-Einlässen, weiblich, 406 mm Steigleitung, Absperrventil, 1.016 mm Steigleitung, Wandhalterungen, Vakuumbrecher mit fortlaufendem Druck, biegsamer 914 mm Wasserschlauchanschluss mit Edelstahlschnellabkopplung, offener beschichteter Schlauchhaspel mit 3/8" x 15 m hochbeanspruchbarem, nicht abfärbendem Schlauch, Ratschensystem, Sprühventil für hohen Fluss und Drehgelenk, Multifit-Halterung und einstellbarem Schlauchdämpfer.
- FR** Système d'enrouleur de flexible, robinet mélangeur mural de 203 mm avec corps en laiton chromé poli, cartouches à compression avec clapets à ressort, poignées à levier, entrées femelles 1/2 po. NPT, colonne montante de 406 mm, vanne de commande, colonne montante de 1016 mm, supports muraux, casse-vidé à pression continue, connecteur de flexible de 914 mm avec raccord rapide en acier inoxydable, enrouleur de flexible fermé en acier inoxydable avec flexible résistant non marquant de 3/8 po. x 15 m, système à cliquet, vanne de pulvérisation à haut débit avec pivot, support multi-fit et butée de flexible réglable.
- ITA** Sistema avvolgitubo completo, rubinetto miscelatore a parete con interasse 203 mm con corpo in ottone cromato, vitoni a compressione, maniglie a leva, raccordi femmina 1/2" NPT, tubo verticale L. 406 mm, valvola di controllo, tubo verticale L. 1016 mm, staffa a parete, rompivuoto a pressione continua, flessibile di mandata L. 914 mm con attacco rapido in acciaio inox, avvolgitubo chiuso in acciaio inox, tubo resistente antitraccia 3/8" x 15m, sistema di blocco del tubo a intervalli regolari, idropistola ad alta portata con raccordo girevole, staffa e boccola ferma-tubo regolabili.

B-2339



Model	Inlet	Hose Diameter Ø	Hose Material	Length	Open / Enclosed	Coating	Spray Gun	Mounting Bracket	System Type	Cartridge	Pressure Range	Temperature Range	Stocking Article in Europe
B-2339	N/A	3/8"	Rubber, non-marking	9 m	Enclosed	Epoxy coated	EB-0107	Multi-fit bracket	SS Cabinet with control valve & temp. gauge	Compression spindles	1.38-8.62 bar	4.44-60° C	x

Spare Parts Kits and Accessories

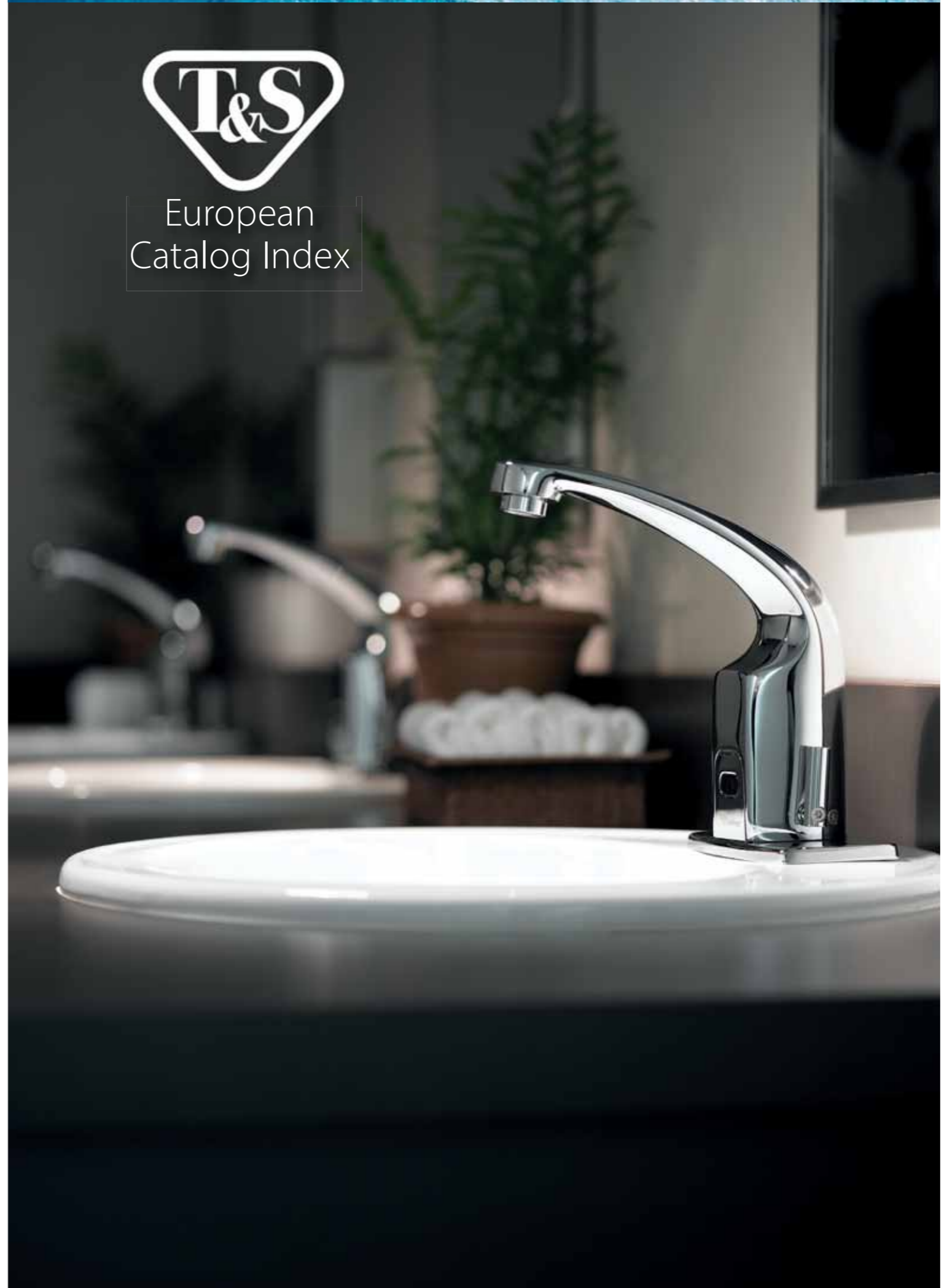
Model	Description
B-2339-LR	Reel Control Cabinet w/ Control Valve, Dual Check Valves & Thermometer
B-7222-C01	Enclosed Coated Reel w/ 30' of 3/8" Hose & Blue Spray Valve
012504-40	Blue Grip Handle
010476-45	#27 Washer
019652-40	3/8" NPT Live Swivel
EB-0107	High Flow Spray Valve

B-2339 Complete T&S Hose Reel System

- EN** Hose reel control unit, stainless steel water control cabinet containing 1/2" union inlets and outlet, 1/2" check valves, loose key mixing valve with compression spindles, bi-metallic thermometer, dual check valve backflow preventer, shut-off valve and water hammer arrestor, enclosed coated hose reel with 3/8" x 9 m heavy-duty non-marking hose, ratcheting system, high flow spray valve with swivel, multi-fit bracket and adjustable hose bumper.
- ESP** Unidad de control de carrete para manguera, gabinete de control de agua de acero inoxidable que contiene entradas y salida de unión de 1/2", válvulas de retención de 1/2", válvula mezcladora de llave suelta con vástagos de compresión, termómetro bimetalico, supresor de reflujo dual de válvula de retención, válvula de cierre y amortiguador de martillo hidráulico, carrete para manguera cerrado revestido, con manguera que no deja marcas, de alta resistencia de 3/8" x 9 m, sistema de avance gradual, válvula aspersora de caudal alto con eslabón giratorio, soporte de ajuste múltiple y protector de manguera ajustable.
- GER** Schlauchhaspelsteuerereinheit, Edelstahl-Wasserregulierungsschrank mit 1/2" vereinten Ein- und Auslässen, 1/2" Absperrventilen, losem Hauptmischventil mit Kompressionsspindeln, bimetallichem Thermometer, dualem Regelventil-Rückflussverhinderer, Absperrventil und Wasserschlagaableiter, umschlossener beschichteter Schlauchhaspel mit 3/8" x 9 m hochbeanspruchbarem, nicht abfärbendem Schlauch, Ratschensystem, Sprühventil für hohen Fluss und Drehgelenk, Multifit-Halterung und einstellbarem Schlauchdämpfer.
- FR** Unité de commande de l'enrouleur de flexible, armoire de commande de l'eau en acier inoxydable contenant des entrées et des sorties avec raccord 1/2 po., des clapets anti-retour 1/2 po., une vanne de mélange à clapet libre avec tiges de compression, un thermomètre bimétallique, un disconnecteur à double clapet anti-retour, une vanne d'arrêt et un dispositif anti-bélier, un enrouleur de flexible revêtu fermé avec un flexible résistant non marquant de 3/8 po. x 9 m, un système de cliquet, une vanne de pulvérisation à haut débit avec pivot, un support multi-fonctions et une butée de flexible réglable.
- ITA** Unità di controllo dell'avvolgitubo, quadro di controllo acqua in acciaio inox con raccordi di ingresso e uscita da 1/2", valvole di ritegno da 1/2", valvola miscelatrice a chiave libera con alberini di compressione, termometro bimetallico, dispositivo antiriflusso con doppia valvola di ritegno, valvola di intercettazione e dispositivo anti colpo d'ariete, avvolgitubo chiuso rivestito con tubo resistente antiraccia 3/8" x 9m, sistema di blocco del tubo a intervalli regolari, idropistola ad alta portata con raccordo girevole, staffa e boccia ferma-tubo regolabili.



European
Catalog Index



MODEL	PAGE	MODEL	PAGE	MODEL	PAGE	MODEL	PAGE	MODEL	PAGE	MODEL	PAGE
018200-40	14	B-0123-B	72, 73	B-2280	89	EC-3105-VF05	95	EU-2DF16	32-33	EU-6WP12-J	22-23
5EF-1D-DG-C	97	B-0133-12-CRB8P	68, 69	B-2280-CR	89	EC-3105-VF05-LF	95	EU-2DF18	32-33	EU-6WP12-L	22-23
5EF-1D-DG-C-HG	97	B-0133-B	74, 75	B-2282	62	EC-3142	96	EU-2DF18DJ	32-33	EU-7133	49, 50
5EF-1D-DG-VF05	97	B-0202	84	B-2282-01	62	EC-3142-HG	96	EU-2DP00	18-19	EU-7133-FG	49, 50
5EF-1D-DG-VF05-LF	97	B-0207	85	B-2282-01-F05	62	EC-3142-VF05	96	EU-2DP00-J	18-19	EU-7143	49, 51
5EF-1D-DS-C	98	B-0221	86	B-2282-F03	62	EC-3142-VF05-LF	96	EU-2DP00-L	18-19	EUK-IDP00	16-17
5EF-1D-DS-C-HG	98	B-0230	87	B-2282-F05	62	EMPV-6WLN-00	28-29	EU-2DP12	18-19	EUK-IDP12	16-17
5EF-1D-DS-VF05	98	B-0231	88	B-2283	90	EMPV-6WLN-06	28-29	EU-2DP12-J	18-19	EUK-2DP00	18-19
5EF-1D-DS-VF05-LF	98	B-0712	63	B-2339	126, 127	EMPU-2DLN-00	24-25	EU-2DP12-L	18-19	EUK-2DP12	18-19
5EF-EU1DG-C	44	B-0712-VF05	63	B-2463	91	EMPU-2DLN-06	24-25	EU-3100	42	EUK-6DP00	20-21
5EF-EU1DG-HG	44	B-0712-WA	63	B-3940	59	EMPU-6DLN-00	26-27	EU-3100-HG	42	EUK-6DP12	20-21
5EF-EU1DG-VF05	44	B-0805	64	B-3945	59	EMPU-6DLN-06	26-27	EU-3100-VF05	42	EUK-6WP00	22-23
5EF-EU1DG-VF05-HG	44	B-0805-VF05	64	B-3950	59	EMPU-6WLN-00	28-29	EU-3100-VF05-HG	42	EUK-6WP12	22-23
5EF-EU1DS-C	43	B-0805-WS	64	B-3970	59	EMPU-6WLN-06	28-29	EU-3132	41	EW-7360B	61
5EF-EU1DS-HG	43	B-1200	56	B-3990	60	EMPV-2DLN-00	24-25	EU-3132-HG	41	EW-7656WC	61
5EF-EU1DS-VF05	43	B-1201	56	B-3990-01	60	EMPV-2DLN-00-J	24-25	EU-3132-VF05	41	MPJ-4CLN-08-CR	80, 81
5EF-EU1DS-VF05-HG	43	B-1202	56	B-3990-BSP	60	EMPV-2DLN-06	24-25	EU-3132-VF05-HG	41	MPJ-8CLN-08-CR	82, 83
5EF-EU1WG-C	46	B-1204	56	B-7122-C05	101	EMPV-2DLN-06-J	24-25	EU-3142	40	MPW-2DCN-06	79
5EF-EU1WG-HG	46	B-1205	56	B-7132-05	102	EMPV-6DLN-00	26-27	EU-3142-HG	40	MPW-8WWN-08-CR	82, 83
5EF-EU1WG-VF05	46	B-1210	57	B-7133-05	103	EMPV-6DLN-00-J	26-27	EU-3142-VF05	40	MPY-2DCN-08	79
5EF-EU1WG-VF05-HG	46	B-1210-01	57	B-7142-C05	104	EMPV-6DLN-06	26-27	EU-3142-VF05-HG	40	MPY-2DCN-08-CR	79
5EF-EU4DS-C	45	B-1210-01-WFK	57	B-7161-C	110	EMPV-6DLN-06-J	26-27	EU-6DF00	34-35	MPY-8WLN-08-CR	82, 83
5EF-EU4DS-HG	45	B-1210-12	57	B-7212-05	105	EMPV-6WLN-00	28-29	EU-6DF03	34-35	MPY-8WLN-12-4C	82, 83
5EF-EU4DS-VF05	45	B-1210-12-WFK	57	B-7222-C05	106	EMPV-6WLN-00-J	28-29	EU-6DF05	34-35	MPZ-2DLN-08	79
5EF-EU4DS-VF05-HG	45	B-1210-16	57	B-7232-05	107	EMPV-6WLN-06	28-29	EU-6DF06	34-35	MPZ-2DLN-08-CR	79
5GF-12P	58	B-1210-WFK	57	B-7242-05	108	EMPV-6WLN-06-J	28-29	EU-6DF08	34-35	MPZ-4DLN-06	80, 81
5GF-16P	58	B-1211	56	B-7242-C05	109	ESA-4L65-S	49, 52	EU-6DF10	34-35	MPZ-8DLN-06	82, 83
5GF-16P-WS	58	B-1213	56	CEF-1DG-LF	99	ESA-4L82-S	49, 52	EU-6DF12	34-35	MPZ-8WLN-08	82, 83
5GF-8P	58	B-1215	56	CEF-1DG-VF05	99	EU-1DF00	30-31	EU-6DF14	34-35	MPZ-8WLN-08-CR	82, 83
5GF-8P-WS	58	B-1215-12	56	CEF-1DS	100	EU-1DF03	30-31	EU-6DF16	34-35	MV-2516-24	50, 51
5GF-W	58	B-1220	56	CEF-1DS-VF05	100	EU-1DF05	30-31	EU-6DF18	34-35	MV-2522-24	50, 51
5GF-W-F	58	B-1222	56	CEF-EU1DG	48	EU-1DF06	30-31	EU-6DF18DJ	34-35	Nito-I Combi spray gun	53
5HR-222-12	111	B-1225	56	CEF-EU1DG-VF05	48	EU-1DF08	30-31	EU-6DP00	20-21	Nito-II Combi spray gun	53
5HR-232-12	112	B-1230	56	CEF-EU1DS	47	EU-1DF10	30-31	EU-6DP00-J	20-21	UK-0107	14
5HR-242-12	113	B-1230-12	56	CEF-EU1DS-VF05	47	EU-1DF12	30-31	EU-6DP00-L	20-21	UMPK-2DLN-00	24-25
5R.M10.449	49, 53	B-1230-WFK	56	EB-0107	14	EU-1DF14	30-31	EU-6DP12	20-21	UMPK-2DLN-06	24-25
5R.M10.T449	49, 53	B-1231	56	EB-0107	50, 51	EU-1DF16	30-31	EU-6DP12-J	20-21	UMPK-6DLN-00	26-27
5R.M15.449	49, 53	B-1235	56	EB-0107-C	14	EU-1DF18	30-31	EU-6DP12-L	20-21	UMPK-6DLN-06	26-27
5R.M15.T449	49, 53	B-1432	116, 117	EB-0107-J	14	EU-1DF18DJ	30-31	EU-6WF00	36-37		
5R.M20.449	49, 53	B-1433	118, 119	EC-3100	92	EU-1DP00	16-17	EU-6WF03	36-37		
5R.M20.T449	49, 53	B-1433-01	120, 121	EC-3100-HG	92	EU-1DP00-J	16-17	EU-6WF05	36-37		
B-0107	78	B-1434-RG	122, 123	EC-3100-VF05	92	EU-1DP00-L	16-17	EU-6WF06	36-37		
B-0107-035	78	B-1444	124, 125	EC-3100-VF05-LF	92	EU-1DP12	16-17	EU-6WF08	36-37		
B-0107-C	78	B-2277	72, 73	EC-3101	93	EU-1DP12-J	16-17	EU-6WF10	36-37		
B-0107-C35	78	B-2277-01	72, 73	EC-3101-HG	93	EU-1DP12-L	16-17	EU-6WF12	36-37		
B-0107-J	78	B-2277-01-CR	72, 73	EC-3101-VF05	93	EU-2DF00	32-33	EU-6WF14	36-37		
B-0113-12-CR-B	70, 71	B-2277-CR	72, 73	EC-3101-VF05-LF	93	EU-2DF03	32-33	EU-6WF16	36-37		
B-0113-12-CRB8P	68, 69	B-2278	74, 75	EC-3102	94	EU-2DF05	32-33	EU-6WF18	36-37		
B-0113-ADF12-B	70, 71	B-2278-01	74, 75	EC-3102-HG	94	EU-2DF06	32-33	EU-6WF18DJ	36-37		
B-0113-B	70, 71	B-2278-01-CR	74, 75	EC-3102-VF05	94	EU-2DF08	32-33	EU-6WP00	22-23		
B-0113-CR-B	70, 71	B-2278-CR	74, 75	EC-3102-VF05-LF	94	EU-2DF10	32-33	EU-6WP00-J	22-23		
B-0113-CR-B8P	68, 69	B-2279	76, 77	EC-3105	95	EU-2DF12	32-33	EU-6WP00-L	22-23		
B-0113-V	70, 71	B-2279-CR	76, 77	EC-3105-HG	95	EU-2DF14	32-33	EU-6WP12	22-23		

GENERAL CONDITIONS

The terms and conditions as listed on our price sheet (the "Terms") of T&S Brass and Bronze Works, Inc. (T&S) supersedes all previous quotations and is subject to change without notice. All orders accepted subject to prices prevailing at time of shipment. Possession of this price list by any person or company does not obligate T&S to sell directly to that person or company.

Prices; Terms of Payment:

All payments are to be paid within 30 days of the billing date. A 2% discount will be provided for cash (or cash equivalent) payments received within 10 days of billing date (2%/10 Days/30 Days) subject to satisfactory credit arrangements. (No shipments will be made to accounts which are in arrears.) The 2% discount is not extended to any payments made by proforma/prepaid, C.O.D., credit cards or sight draft shipments.

All prices and delivery terms are Ex Works (Incoterms 2010) T&S facility in Travelers Rest, South Carolina. Purchaser assumes all responsibilities for risk of loss of, or damage to, the products upon delivery at the T&S facility. All transport will be pursuant to T&S' freight terms unless alternative arrangements are made in writing with T&S.

All prices exclude transportation, freight, insurance or any sales, use, excise or other taxes, duties, fees or assessments imposed by any jurisdiction, all of which shall be paid by purchaser unless appropriate exemption certificates are provided. Clerical and printing errors and omissions are subject to correction.

Minimum Charge –

There is a minimum billing charge of \$25.00 per invoice for both complete models and parts.

Please contact T&S Brass as to any questions regarding distributor status, or our option of carriers.

Deliveries –

We are not responsible for delays in deliveries due to circumstances beyond our control such as fires, strikes, transportation delays, material shortages, accidents or other contingencies of similar nature. All products must be inspected upon receipt and claims filed by purchaser with the transportation company when there is evidence of shipping damage, either concealed or external.

Returned Merchandise –

No return goods will be accepted without permission from T&S. No item will be accepted for return twelve months after shipment from factory. Transportation on returned goods must be prepaid. All returned goods are subject to the greater of 25% of the purchase price or \$20 as a handling and restocking charge. Additional charge will be made for reconditioning and refinishing when necessary. Special fixtures and assemblies made to customers' specifications are not returnable.

Shortages –

Any claims for shortage must be made immediately upon receipt of merchandise. Shortage claims will be invalid unless received by T&S in writing within 30 days of invoice date.

Special Items –

If orders for items that are special (non-catalog) or covering special finishes are cancelled, T&S shall be reimbursed for any expense incurred in the purchase of raw or finished material and further processing thereof, plus 25% for handling and for any other loss or damage including anticipated profits which shall be adjusted.

Product Changes –

All items will be furnished as per catalog description unless otherwise indicated. However, we reserve the right to alter, modify, or redesign products without creating any liability for the obsolescence of customer inventories.

Taxes –

Any federal, state or city taxes applicable will be added to prices shown. Clerical and printing errors and omissions are subject to correction.

Security Interest -

T&S reserves a purchase money security interest in the products sold in the amount of the purchase price. These interests shall be satisfied by payment in full. A copy of these Terms may be filed as a financing statement with appropriate authorities at any time to protect T&S' security interest, or in the alternative, purchaser hereby agrees to execute the appropriate UCC forms upon request of T&S to protect T&S' purchase money security interest.

California Residents / Proposition 65 –

California's Proposition 65 requires that California consumers receive warnings about any products which contain chemicals known to the State of California to cause cancer or birth defects or other reproductive harm. The State of California requires the following notice: WARNING: This product contains chemicals known to the State of California to cause cancer, and birth defects or other reproductive harm.

General Terms –

If any term or provision of these Terms is determined by a court of competent jurisdiction to be illegal, invalid, or unenforceable, the legality, validity, or enforceability of the remainder of the Terms shall not thereby be affected, and these Terms shall be deemed amended to the extent necessary to delete such provision. These Terms shall be governed by the laws of the State of South Carolina without regard to conflicts of law principles thereof or to the United Nations Convention on the International Sale of Goods and all causes of action arising under these Terms shall be brought exclusively in the state or federal courts in Greenville County, South Carolina. Purchaser agrees to pay T&S' expenses for all of its costs of collection, including reasonable expenses incurred in connection with any arbitration or judicial proceeding, incurred with respect to any past due or default in payments.

Acceptance of Terms

Purchaser shall be deemed to have accepted the provisions of these Terms, by manifesting such acceptance by any of the following: (a) signing and returning to T&S a copy of these Terms; (b) sending to T&S a written acknowledgement of these Terms; (c) placing a purchase order or giving instructions to T&S respecting manufacture or delivery of products; (d) accepting delivery of all or any part of the products; (e) paying for all or any part of the products; or (f) indicating in some other manner purchaser's acceptance of these Terms. T&S HEREBY OBJECTS TO AND REJECTS THE PROVISIONS OF ANY PURCHASE ORDER OR OTHER DOCUMENT WHICH IS INCONSISTENT WITH OR IN ADDITION TO THE PROVISIONS OF THESE TERMS (WHICH INCONSISTENT OR ADDITIONAL PROVISIONS ARE HEREBY EXCLUDED FROM THESE TERMS), AND T&S' OFFER AND OBLIGATIONS ARE EXPRESSLY CONDITIONED UPON PURCHASER'S ACCEPTANCE OF THESE TERMS.

LIMITED WARRANTY

READ THIS LIMITED WARRANTY BEFORE INSTALLING OR USING THIS PRODUCT. IF THESE TERMS ARE NOT ACCEPTABLE TO YOU, IMMEDIATELY RETURN THIS PRODUCT TO T&S BRASS AND BRONZE WORKS, INC. BEFORE INSTALLING AND/OR USING THIS PRODUCT.

T&S Brass and Bronze Works, Inc. (T&S) warrants to the original purchaser of this product that such product is free from defects in workmanship and materials for the period specified in the chart below beside the product description from the original date of purchase.

Product Description	Warranty Period
T&S EU EasyInstall pre-rinse units	3 years
T&S EU Manual faucets	1 year
T&S EU Stainless steel hose reels	2 years on Reel, 1 year on Hose
T&S EasyInstall pre-rinse units	3 years
T&S DuraPull pre-rinse units	7 years
T&S ChekPoint sensor faucets and accessories	3 years
T&S Hose reels (except B-7161-C hose reel and B-7245 creamery hose reel)	2 years
T&S Hose reel blue hose	1 year
T&S Modular waste drain valve	Lifetime
T&S Cerama ceramic cartridges	Lifetime
T&S Single lever faucet ceramic cartridges	2 years
T&S Flexible stainless steel hose (B-0044-H, etc.)	3 years
T&S Reinforced PVC flex hoses without stainless steel covering (All B-0044-R, etc. models)	2 years
T&S Safe-T-Link gas and water hose connectors	5 years
T&S WaterWatch	1 year
Equip hose reel hose	1 year
All other products (including all equip products)	1 year

During the applicable warranty period, if this product is found to be defective, T&S shall, at its option, repair and/or replace it. To obtain warranty service, products must be returned to T&S Brass and Bronze Works, Inc., 2 Saddleback Cove, Travelers Rest, South Carolina, 29690, clearly marked to the attention of the Warranty Repair Department. Shipping, freight, insurance and other transportation charges of the returned product to T&S and the return of the repaired or replaced product to the purchaser are the responsibility of the purchaser. Replacement and/or repair under this warranty shall be made within a reasonable time after receipt by T&S of the returned product and T&S' verification of the defect.

This warranty does not cover this product (i) if it has received secondary finishing or has been altered or modified after purchase, (ii) for defects caused by physical abuse to or misuse of the product or use with corrosive materials, (iii) for damage or harm occurring in the shipment of the product, or (iv) for damage or harm occurring due to environmental conditions, including but not limited to water quality and impurities. This warranty is provided to the original purchaser only and may not be assigned or transferred by the original purchaser of the product, other than when purchased for resale, in which case the reselling original purchaser may assign the warranty to the purchaser from the reseller who shall be deemed the original purchaser under this limited warranty, but the warranty may not be assigned thereafter.

ANY EXPRESS WARRANTY NOT PROVIDED HEREIN AND ANY REMEDY FOR BREACH OF CONTRACT WHICH BUT FOR THIS PROVISION MIGHT ARISE BY IMPLICATION OR OPERATION OF LAW, IS HEREBY EXCLUDED AND DISCLAIMED. ANY IMPLIED WARRANTIES OF MERCHANTABILITY OR FITNESS FOR A PARTICULAR PURPOSE ARE LIMITED IN DURATION TO THE WARRANTY PERIOD PROVIDED ON THE PRODUCT. UNDER NO CIRCUMSTANCES SHALL T&S BE LIABLE TO PURCHASER OR ANY OTHER PERSON FOR ANY LOSS OF USE OF THE PRODUCT OR ANY SPECIAL OR CONSEQUENTIAL COSTS, EXPENSES OR DAMAGES WHETHER ARISING OUT OF BREACH OF WARRANTY, BREACH OF CONTRACT OR OTHERWISE INCURRED BY THE PURCHASER OR ANY OTHER USER. SOME STATES DO NOT ALLOW LIMITATIONS ON HOW LONG AN IMPLIED WARRANTY LASTS OR THE EXCLUSION OR LIMITATION OF INCIDENTAL OR CONSEQUENTIAL DAMAGES SO THE ABOVE LIMITATIONS OR EXCLUSIONS MAY NOT APPLY TO YOU. THIS WARRANTY GIVES YOU SPECIFIC RIGHTS AND YOU MAY ALSO HAVE OTHER RIGHTS WHICH VARY FROM STATE TO STATE.



T&S BRASS AND BRONZE WORKS, INC.

www.tsbrass.com

internationalsales@tsbrass.com

2 Saddleback Cove • P.O. Box 1088 • Travelers Rest, South Carolina 29690 U.S.A.

Main Office +1 864-834-4102



www.repagroup.com