



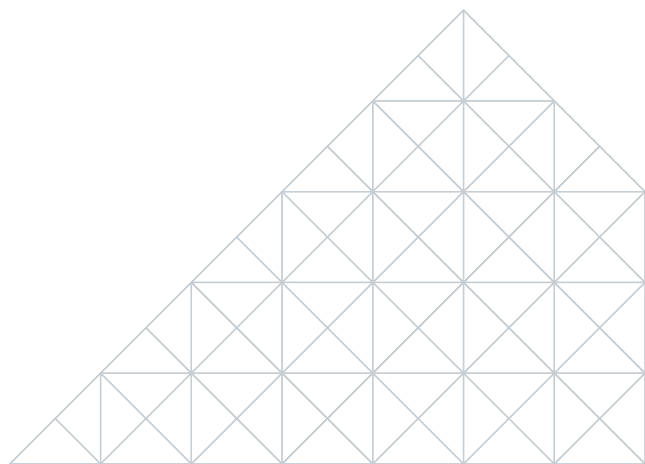
COMPRESSORS, SPARE PARTS AND ACCESSORIES

*Suitable for R290 and R600a
natural refrigerants*



CONTENTS

CUBIGEL COMPRESSORS	5
EMBRACO COMPRESSORS	8
SECOP COMPRESSORS	14
ENERGY SAVING MOTORS	18
REFRIGERATION FILTERS	19
SOLENOID VALVES	19
FITTINGS	20
EQUIPMENT AND INSTRUMENTATION	22



R290 AND R600A NATURAL REFRIGERANTS

THE R290 AND R600a NATURAL REFRIGERANT FLUIDS:

- They are efficient: up to 2.05 W/W efficiency according to the EN12900 50 Hz standard
- They are cost-effective: with a lower consumption than R404a
- They are eco-sustainable, because they are natural alternatives with low global warming potential

Due to the implementation of EU Regulation 517 / 2019, the use of natural refrigerants including **R290 (propane)** and **R600a (isobutane)**, as a green alternative to fluorinated greengases, is now commonplace in Europe.

From an environmental point of view, natural hydrocarbons are excellent alternatives to hydrofluorocarbon (HFC) refrigerants: they do not emit ozone-depleting greenhouse gases into the atmosphere, and have therefore almost no impact on global warming.

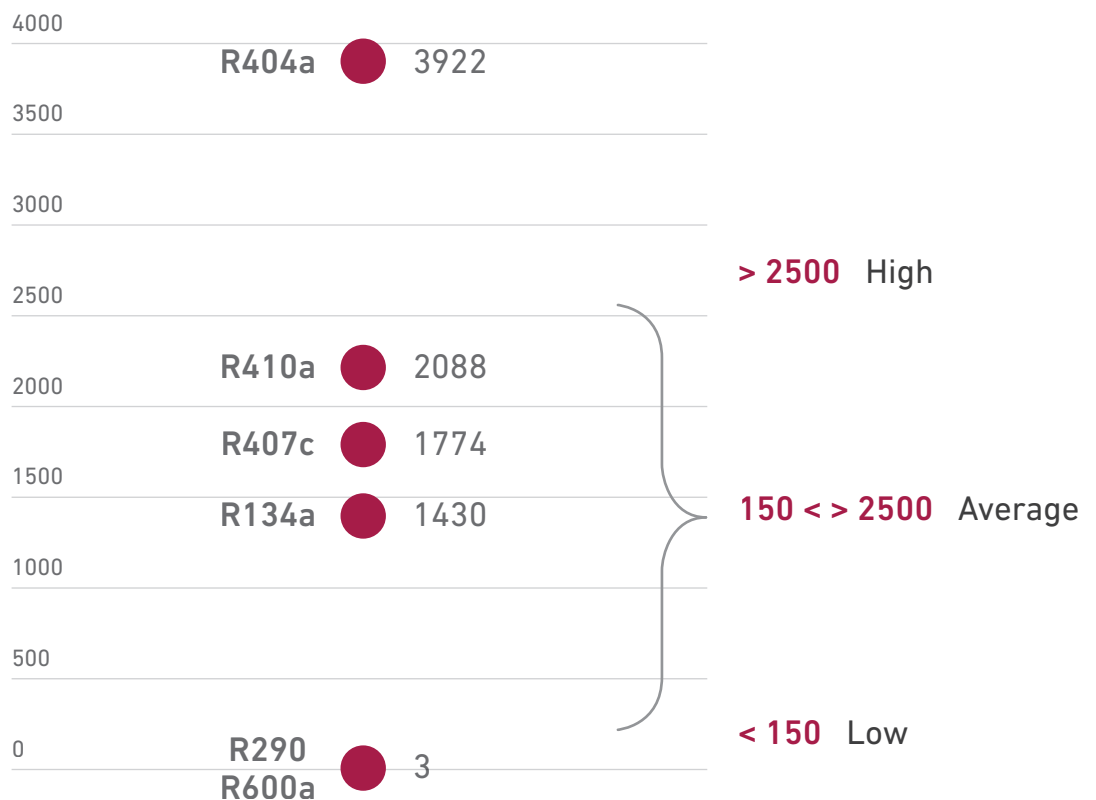
Another major advantage being the fact that **they are not toxic**.



The parameter that measures the eco-sustainability of gases is known as the **GWP Global Warming Potential**. The value of GWP or Global Warming Potential is a measure of the relative global warming effects of different greenhouse gases.

The higher the value of GWP, the more that particular gas will heat the Earth compared to carbon dioxide.

GWP values can range from 2 to about 14,000. **R290** and **R600a** have a very low GWP of 3.

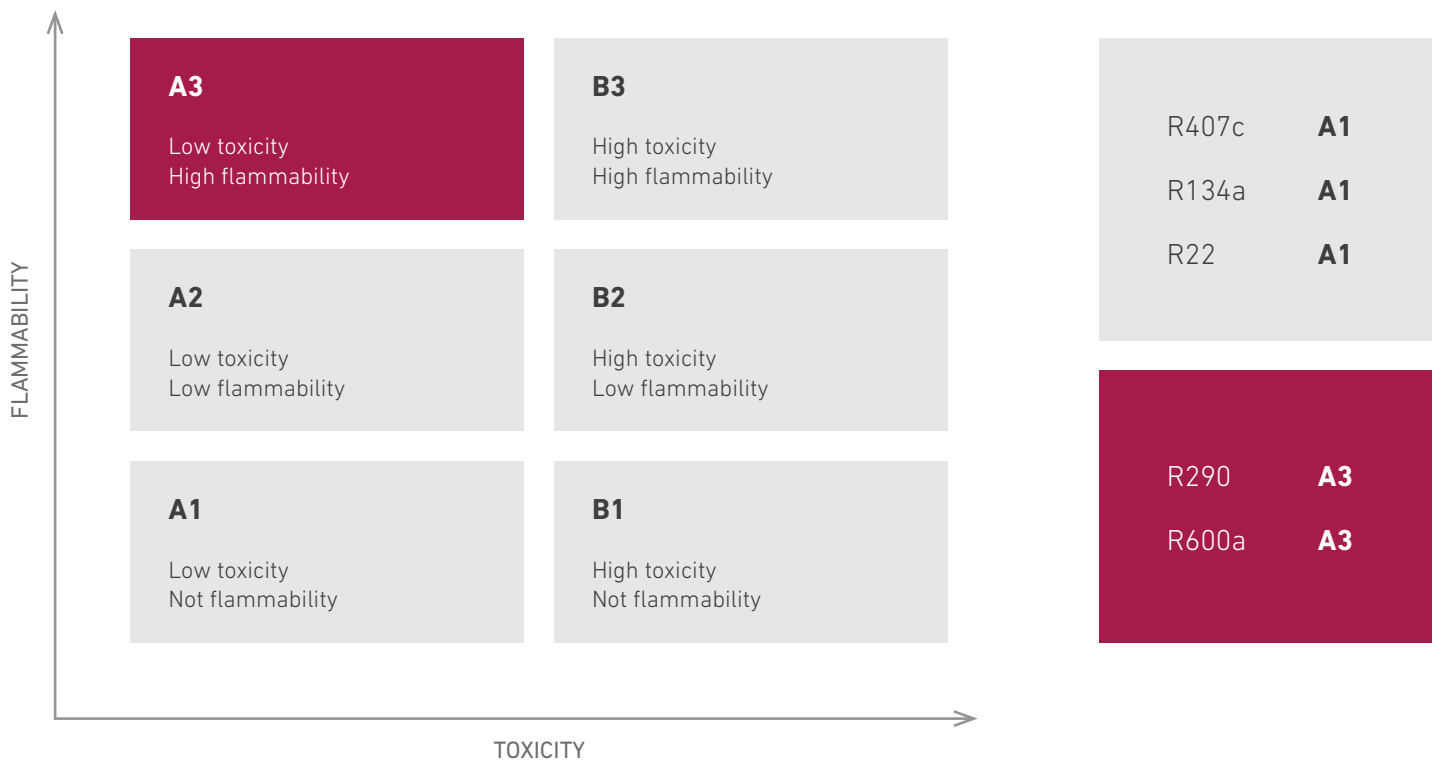


R290 AND R600A NATURAL REFRIGERANTS



However, these are **flammable gases**, so appropriate safety measures must be taken during maintenance, which must be carried out by authorised personnel in accordance with the EN60335.

FLAMMABILITY AND TOXICITY - ASHRAE 34-1992



All products presented in this brochure are suitable for use in **hazardous areas** and comply with **ATEX** directives.

These establish the basic requirements to ensure the safety of products and equipment used in potentially explosive atmospheres. The term ATEX derives from "ATmosphères" and "EXplosibles" and refers to an explosive atmosphere, i.e. a mixture with air, under certain atmospheric conditions, of flammable substances in the state of: gases, vapours, mists, dusts.

CUBIGEL COMPRESSORS R290 HMBP



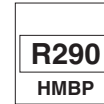
NBC



NUY



NP



LF Code	GEV code	Model	Motor power HP	Displacement cm ³	Electric diagram	LRA	Watt	Ampere	Refrigeration power Watt				Power supply Volt/Ph/Hz
									Evaporating temperature °C	-10	-5	0	
3070405	605365	NBC30RA	1/10	3.10	CSIR	6.5	138	1.1	196	242	295	354	220-240/1/50
3070397	605356	NUY45RAa	1/5	4.56	CSIR	10.5	184	1.3	289	355	431	516	220-240/1/50
3070406	605366	NUY60RAa	1/4	6.00	CSIR	12.9	256	1.8	407	497	600	714	220-240/1/50
3070402	605362	NUY80RAa	1/3	8.10	CSIR		368	2.5	558	671	796	931	220-240/1/50
3070400	605360	NPY12RAa	1/2L	12.10	CSIR	20.0	578	3.5	800	993	1212	1460	220-240/1/50
3070399	605357	NPT14RA	1/2	14.32	CSR	21.0	622	3.0	916	1125	1389	1709	220-240/1/50

Condensation temperature +55°C - Test conditions CECOMAF EN12900

CUBIGEL COMPRESSORS R290 LBP



NUY-NUT



NLY

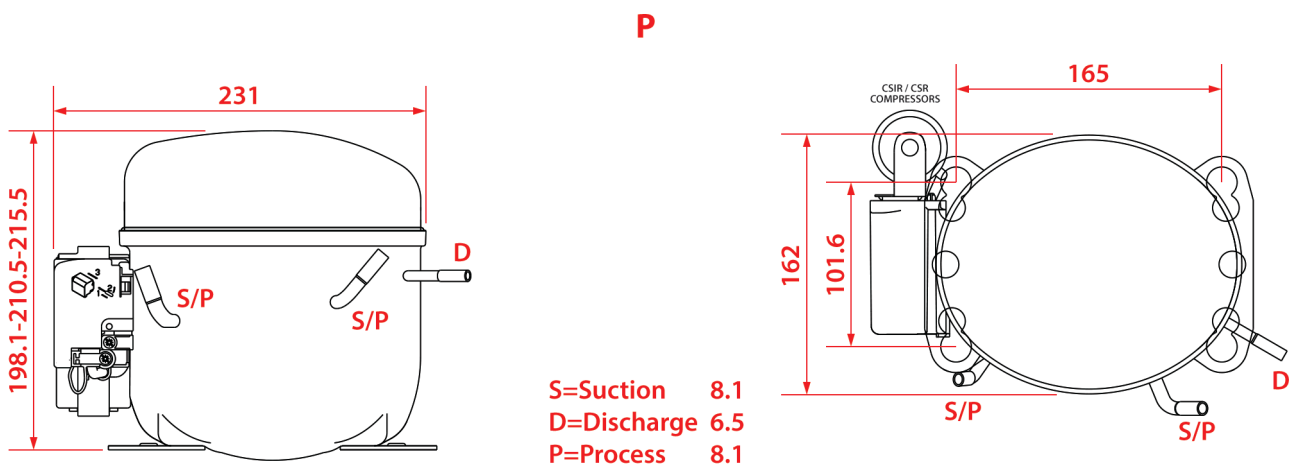
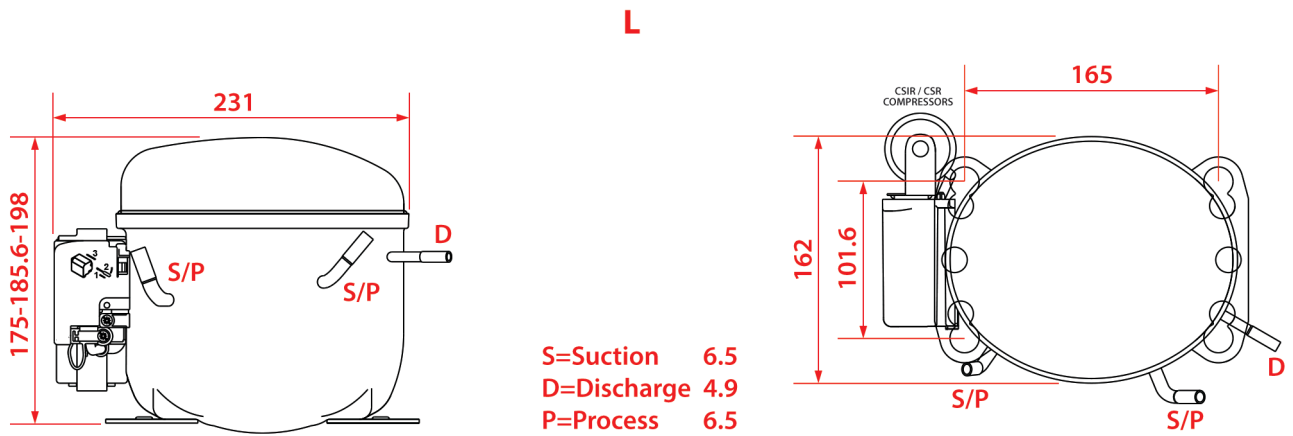
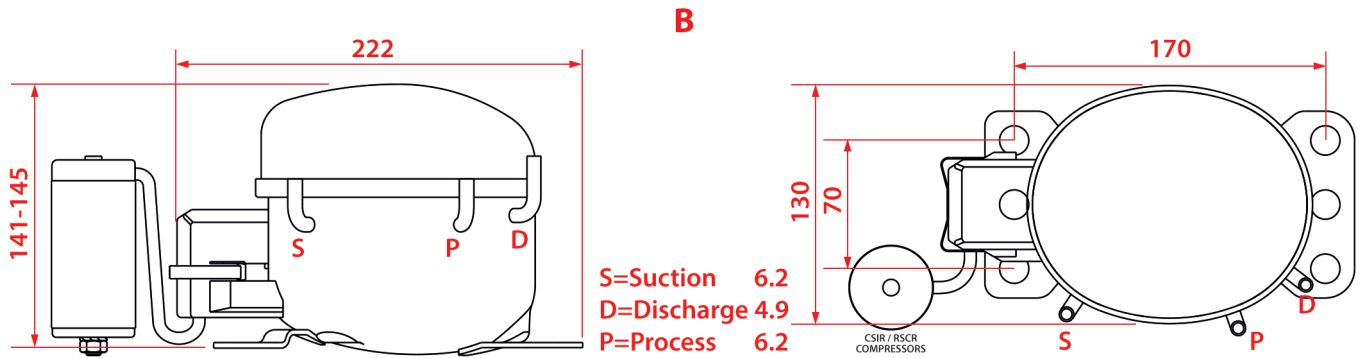


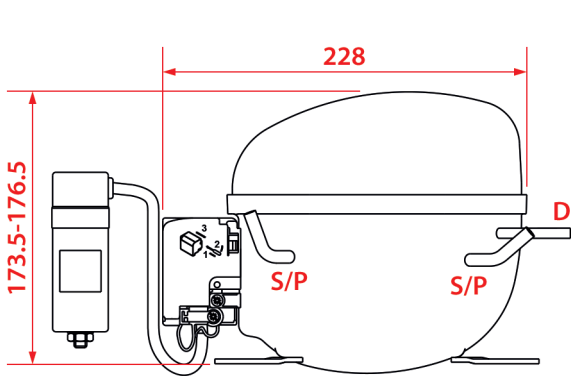
NP



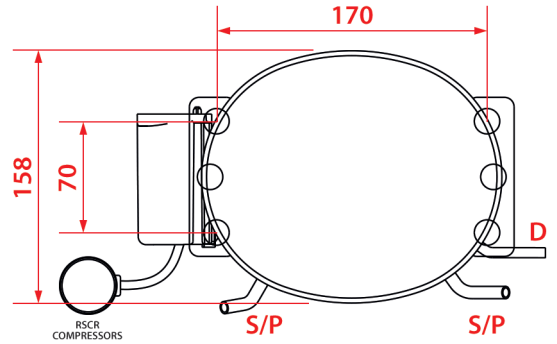
LF Code	GEV code	Model	Motor power HP	Displacement cm ³	Electric diagram	LRA	Watt	Ampere	Refrigeration power Watt				Power supply Volt/Ph/Hz
									Evaporating temperature °C	-30	-25	-20	
3070401	605361	NUY45LAa	1/5	4.5	CSIR	7.5	131	0.85	148	191	239	353	220-240/1/50
3070396	605355	NUT55CAc	1/5	5.5	RSIR	6.0	154	0.97	189	242	303	450	220-240/1/50
3070398	605358	NUT60CAa	1/4	6.0	RSIR	7.3	174	1.1	211	270	338	501	220-240/1/50
3070404	605364	NLY90LAa	1/3	9.09	CSIR	13.5	291	2.0	293	377	473	700	220-240/1/50
3070403	605363	NLY12LAa	3/8	10.70	CSIR	16.5	380	2.1	348	445	555	818	220-240/1/50
3070407	605367	NPY14LAa	1/2	14.32	CSIR	18.0	463	2.7	466	593	740	1091	220-240/1/50
5120943	LF5134815	NPT16LA	1/2	16.15	CSR	19.0	486	2.4	541	689	857	1257	220-240/1/50

Condensation temperature +45°C - Test conditions CECOMAF EN12900



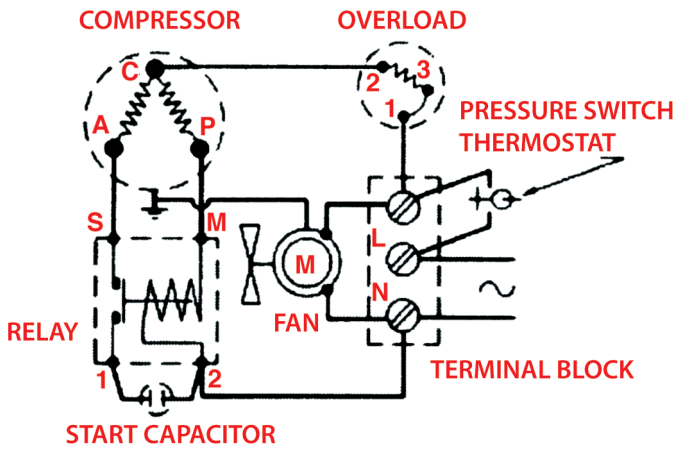


U

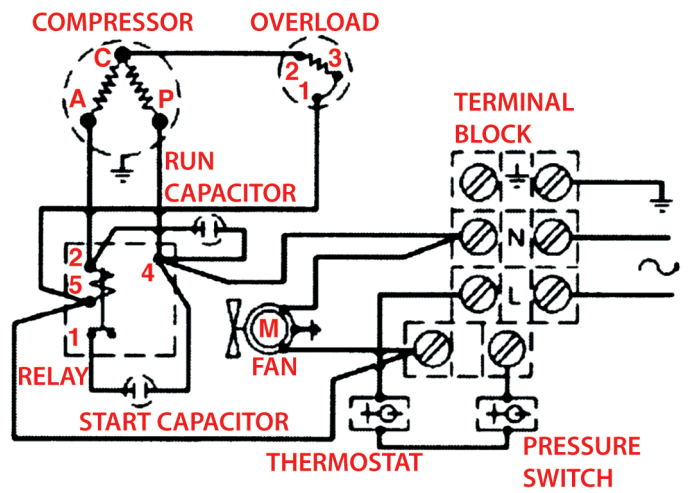


S=Suction
D=Discharge
P=Process

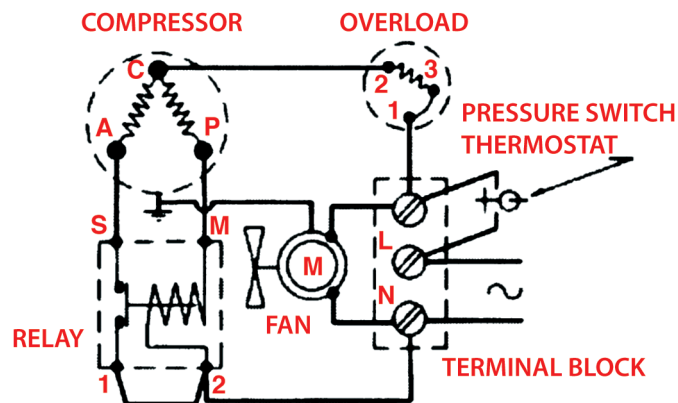
CSIR



CSR



RSIR



EMBRACO COMPRESSORS R290 HMBP



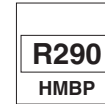
EMT



NEK/NEU



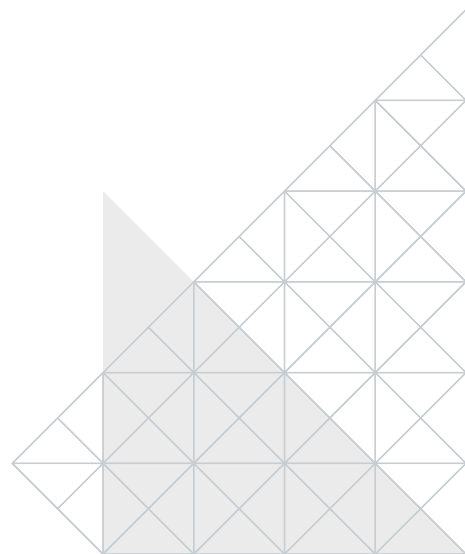
NT



LF Code	GEV code	Model	Motor power HP	Displacement cm ³	Electric diagram	LRA	Watt	Ampere	Refrigeration power Watt				Power supply Volt/Ph/Hz
									Evaporating temperature °C	-10	-5	0 +5	
3070262	605200	EMT6144U	1/5	4.50	CSIR	7.7	181	1.1	293	354	423	508	220-240/1/50
3070263	605201	EMT6152U	1/4	5.20	CSIR	8.5	205	1.3	362	432	514	612	220-240/1/50
3070264	605198	EMT6165U	1/4	5.96	CSIR	10.4	261	1.8	415	495	590	700	220-240/1/50
3070265	LF3070265	NEK6181U	1/3	7.28	CSIR	12	309	2.2	447	548	664	793	220-240/1/50
3070273	LF3070273	NEK6210U	3/8	8.78	CSIR	16.1	362	2.4	549	670	811	969	220-240/1/50
3070310	LF3070310	NEU6210U	3/8	8.78	CSIR	20.0	365	2.7	583	713	860	1025	220-240/1/50
3070333	LF3070333	NEU6212U	1/2	10.00	CSIR	20.5	439	3.2	667	819	995	1195	220-240/1/50
3070266	605305	NEK6213U	1/2	12.12	CSIR	19.3	541	3.7	763	927	1112	1317	220-240/1/50
3070302	LF3070302	NEU6214U	1/2	12.12	CSR	18.0	474	2.5	807	981	1179	1401	220-240/1/50
3070303	LF3070303	NEU6217U	5/8	14.30	CSR	21.0	549	2.5	956	1161	1393	1653	220-240/1/50
3070304	LF3070304	NT6220U	3/4	17.40	CSR	30.0	668	3.8	976	1215	1492	1806	220-240/1/50
3070305	605331	NT6222U	1	20.40	CSR	30.0	779	4.2	1177	1471	1803	2174	220-240/1/50
3070306	LF3070306	NT6224U	1	22.40	CSR	26.0	803	3.7	1274	1583	1938	2336	220-240/1/50
3070307	LF3070307	NT6230U	1.25	27.80	CSR	39.0	1072	5.2	1623	1998	2437	2850	220-240/1/50

Condensation temperature +55°C - Test conditions CECOMAF EN12900

- ▶ WWW.GEV-ONLINE.COM
- ▶ WWW.LFSPAREPARTS724.COM
- ▶ WWW.EPGC.COM
- ▶ WWW.CCSPARES.CO.UK



EMBRACO COMPRESSORS R290 LBP



EMT



NEK/NEU



NT



LF Code	GEV code	Model	Motor power HP	Displacement cm ³	Electric diagram	LRA	Watt	Ampere	Refrigeration power Watt				Power supply Volt/Ph/Hz
									Evaporating temperature °C -30	-25	-20	-15	
3070270	LF3070270	EMT2117U	1/5	4.50	CSIR	7.7	137	1.0	145	184	230	283	220-240/1/50
3070260	605215	EMT2121U	1/4	5.57	CSIR	7.7	166	1.1	188	238	297	364	220-240/1/50
3070395	605354	EM2X1125U	1/3	6.09	RSCR		162	0.85					220-240/1/50
3070267	LF3070267	EMT2125U	1/3	5.96	CSIR	9.8	186	1.4	209	265	330	403	220-240/1/50
3070261	605346	EMT2130U	1/3	6.76	CSIR	12.4	218	1.6	233	295	367	450	220-240/1/50
3070268	605274	NEK2134U	1/2	10.00	CSIR	13.1	301	1.9	315	395	494	611	220-240/1/50
3070259	605214	NEK2150U	1/2	13.54	CSIR	19.5	406	2.9	403	515	650	804	220-240/1/50
3070332	605243	NEU2155U	5/8	13.54	CSR	17.5	393	2.0	452	573	715	878	220-240/1/50
3070269	605204	NEK2160U	5/8	16.80	CSR	21.0	457	2.4	508	646	808	995	220-240/1/50
3070301	LF3070301	NEU2168U	5/8	16.80	CSR	21.0	463	2.2	540	689	866	1068	220-240/1/50
3070271	605202	NT2170U	3/4	20.44	CSR	25.0	533	2.7	583	753	951	1176	220-240/1/50
3070272	605199	NT2180U	1	22.40	CSR	35.0	590	3.1	659	844	1062	1312	220-240/1/50
3070311	605203	NT2210U	1 1/4	27.80	CSR	33.0	776	4.1	813	1041	1310	1620	220-240/1/50

Condensation temperature +45°C - Test conditions CECOMAF EN12900

EMBRACO COMPRESSOR R290 LBP VARIABLE SPEED



VNEU



LF Code	GEV code	Model	Displacement cm ³	Motor type	Speed rpm	Watt	Ampere	Refrigeration power Watt				Power supply Volt/Ph/Hz
								Evaporating temperature °C -30	-25	-20	-15	
3070391	605351	VNEU213U	13.54	permanent magnet	2000	204	0.96	331	424	531	654	100-240V 33-75Hz
					2400	235	1.09	367	469	590	730	100-240V 33-75Hz
					3000	300	1.39	453	581	732	906	100-240V 33-75Hz
					3600	365	1.69	546	702	883	1092	100-240V 33-75Hz
					4500	472	2.17	687	875	1088	1328	100-240V 33-75Hz

Condensation temperature +45°C - Test conditions CECOMAF EN12900

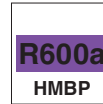
EMBRACO COMPRESSORS R600a HMBP



EMT



NEK



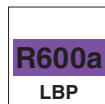
LF Code	GEV code	Model	Motor power HP	Displacement cm ³	Electric diagram	LRA	Watt	Ampere	Refrigeration power Watt				Power supply Volt/Ph/Hz
									Evaporating temperature °C	-10	-5	0	
3070384	605083	EMT30CDP	1/12	4.50	RSIR	3.7	83	0.6	119	150	185	226	220-240/1/50
5092364	605085	EMT45CDP	1/8	6.78	RSIR	5.8	115	0.8	172	226	276	338	220-240/1/50
3070359	LF3070359	EMT6144Y	1/5	9.04	CSIR	7.7	175	1.1	250	310	377	455	220-240/1/50
3070343	605333	EMT6160Y	1/4	11.14	CSIR	9.8	212	1.4	303	375	458	552	220-240/1/50
5087248	605248	NEK6160Y	1/4	12.11	CSIR	12.4			294	372	464	567	220-240/1/50
3070360	LF3070360	NEK6170Y	1/4	14.28	CSIR	12.4			358	449	554	674	220-240/1/50

Condensation temperature +55°C - Test conditions CECOMAF EN12900

EMBRACO COMPRESSORS R600a LBP



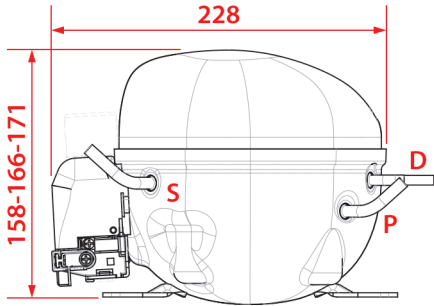
EM



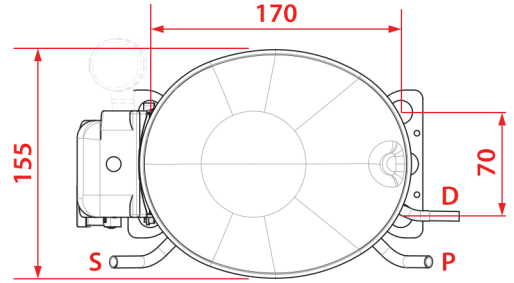
LF Code	GEV code	Model	Motor power HP	Displacement cm ³	Electric diagram	LRA	Watt	Ampere	Refrigeration power Watt				Power supply Volt/Ph/Hz
									Evaporating temperature °C	-30	-25	-20	
3070377	LF3070377	EMX26CLC	1/12	5.19	RSCR	2.4	49	0.23	42	61	81	105	220-240/1/50
3070378	605315	EMX32CLC	1/10	5.96	RSCR	-	51	0.26	49	69	92	119	220-240/1/50
3070203	LF3070203	EMT40CLP	1/10	7.23	RSCR	-	95	0.64	66	90	116	148	220-240/1/50
3070379	605316	EMC40CLT	1/8	7.23	RSCR	-	62	0.29	64	87	116	151	220-240/1/50
3070373	605257	EMD46CLT	1/8	7.96	RSCR	-	70	0.35	72	98	130	168	220-240/1/50
3070380	605317	EMC46CLT	1/7	7.96	RSCR	-	81	0.39	73	98	130	167	220-240/1/50
3070381	605247	EMX55CLC	1/6	9.04	RSCR	-	87	0.41	106	143	187	239	220-240/1/50
3070291	LF3070291	EMT56CLP	1/5	9.34	RSCR	-	115	0.84	90	115	156	197	220-240/1/50
3070238	LF3070238	EMYE70CLP	1/4L	11.14	RSCR	6	110	0.55	103	142	184	233	220-240/1/50
3070255	LF3070255	EMX80CLT	1/4	12.21	RSCR	7.8	116	0.57	118	158	207	265	220-240/1/50

Condensation temperature +55°C - Test conditions CECOMAF EN12900

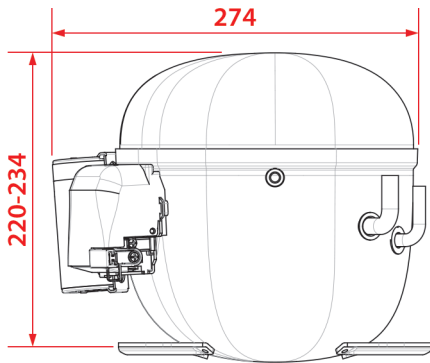
EM



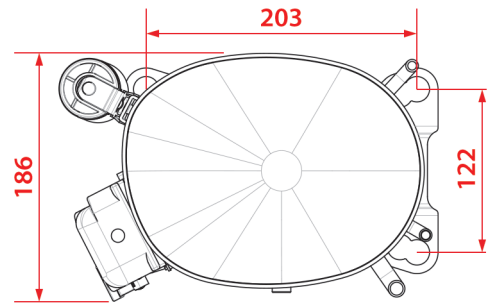
S=Suction 6
D=Discharge 5
P=Process 6



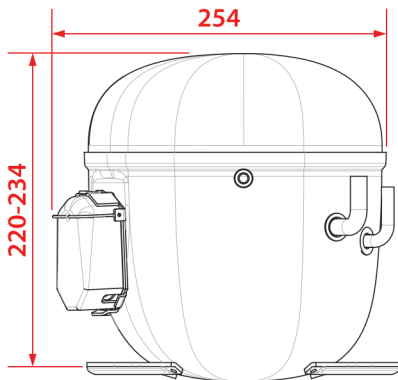
NT



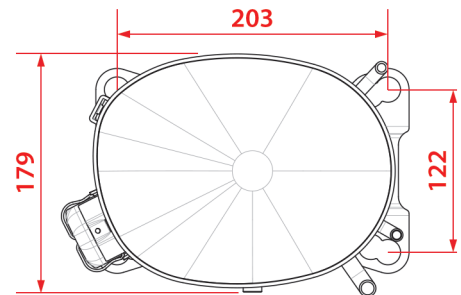
S=Suction 9.6
D=Discharge 9.6
P=Process 6.5



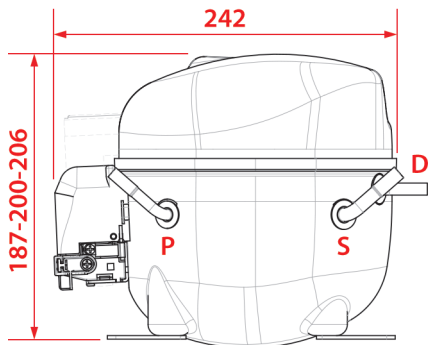
NT



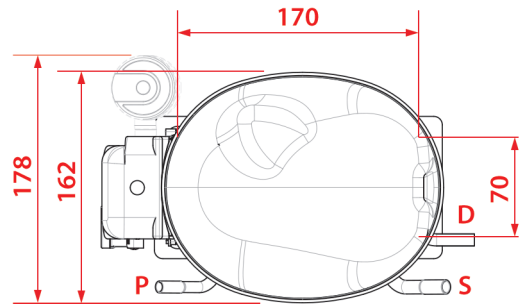
S=Suction 9.6
D=Discharge 9.6
P=Process 6.5



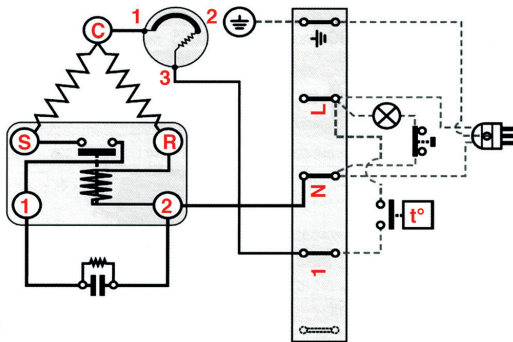
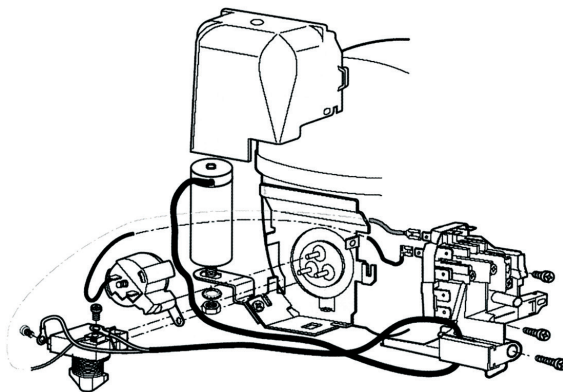
NE



S=Suction 6.2-8.2
D=Discharge 5-6.2
P=Process 6.2

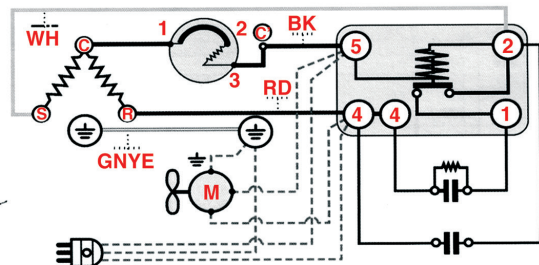
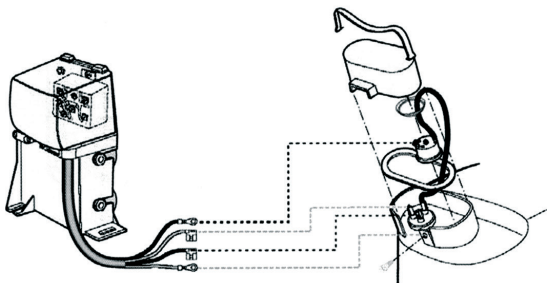


CSIR



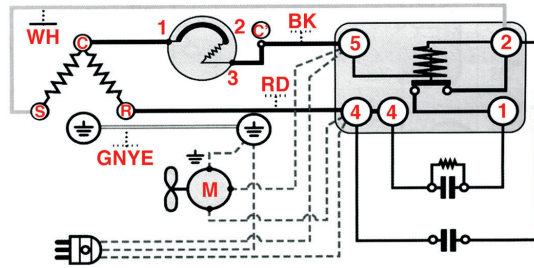
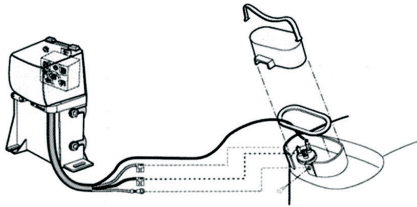
CSR BOX

External protecting device

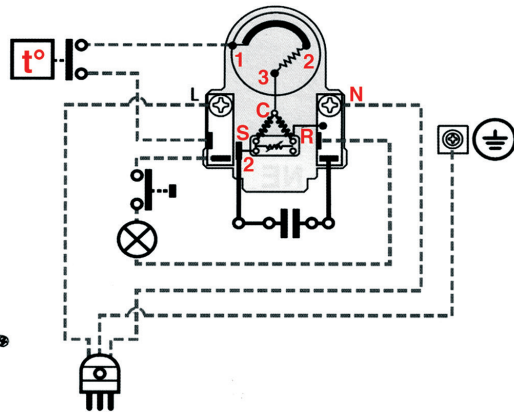
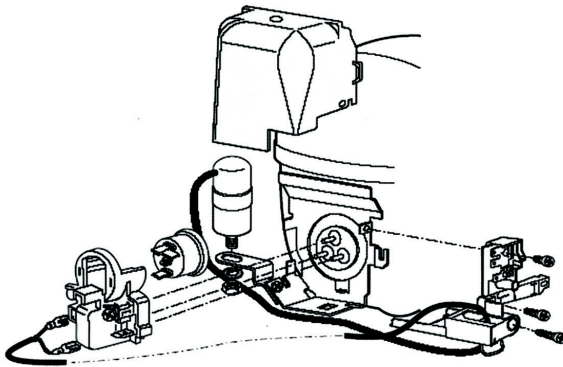


CSR BOX

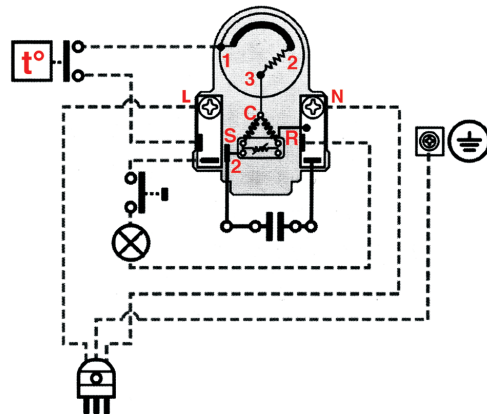
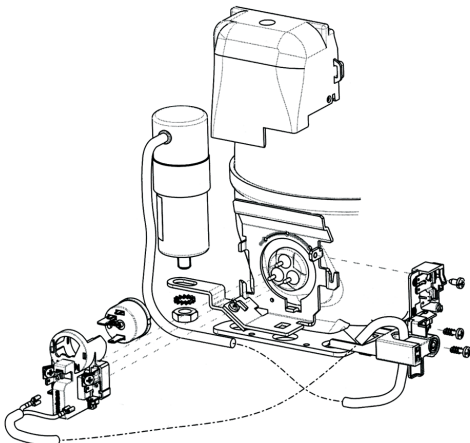
Internal protecting device



RSIR



RSCR PTC



SECO COMPRESSORS R290 MLBP



DLE

NLE



LF Code	GEV code	Model	Motor power HP	Displacement cm ³	Electric diagram	LRA	Watt	Ampere	Refrigeration power Watt					Power supply Volt/Ph/Hz
									Evaporating temperature °C -30	-25	-20	-15	-10	
3070390	605350	DLE4CN	1/6	4.00	CSIR	5.4	94	0.75	128	164	207	255	309	220-240/1/50
3070385	605268	DLE4.8CN	1/5	4.80	CSIR	6.5	150	1.0	150	196	247	304	369	220-240/1/50
3070386	605347	DLE5.7CN	1/4	5.70	CSIR	8.8	190	1.24	203	253	309	376	454	220-240/1/50
3070387	605269	DLE6.5CN	1/4	6.50	CSIR	9.3	194	1.2	211	266	330	405	493	220-240/1/50
3070394	605353	DLE7.5CN	1/3	7.48	CSIR	9.3	243	1.54	261	315	390	479	583	220-240/1/50
3070388	605348	NLE8.8CN	3/8	8.76	CSIR	11.3	275	1.73	304	376	462	564	683	220-240/1/50
5128371	605359	NLE10CN	3/8	10.09	CSIR	12.0	328	2.1	343	431	571	661	804	220-240/1/50

Condensation temperature +45°C - Test conditions CECOMAF EN12900

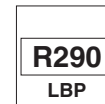
SECO COMPRESSORS R290 LBP



TL

NL

SC



LF Code	GEV code	Model	Motor power HP	Displacement cm ³	Electric diagram	LRA	Watt	Ampere	Refrigeration power Watt					Power supply Volt/Ph/Hz
									Evaporating temperature °C -30	-25	-20	-15	-10	
3070334	605259	TL5CN	1/5	5.08	CSIR	5.7	167	1.2	143	183	230	283	338	220-240/1/50
3070335	LF3070335	NL7CN	1/3	7.27	CSIR	10.4	229	1.6	223	290	368	458	539	220-240/1/50
3070336	LF3070336	NL9CN	3/8	8.35	CSIR	10.4	259	1.7	259	335	423	526	643	220-240/1/50
3070389	605349	NLE11CNL	1/2	11.15	CSIR	13.8	347	2.15	359	456	570	700	937	220-240/1/50
3070393	605352	NLE12.6CNL	1/2	12.55	CSIR	12.5	371	2.17	420	524	647	792	1040	220-240/1/50
3070339	605261	SC12CNX.2	1/2	12.87	CSIR	13.1	393	2.4	346	453	578	725	895	220-240/1/50
3070329	LF3070329	SC15CNX.2	5/8	15.28	CSIR	14.8	462	2.9	434	560	714	900	1177	220-240/1/50
3070308	LF3070308	SC18CNX.2	3/4	17.69	CSIR	19.5	559	3.6	531	689	863	1057	1284	220-240/1/50
3070338	605267	SC21CNX.2	1	20.95	CSIR	23.5	647	4.0	654	828	1020	1233	1481	220-240/1/50

Condensation temperature +45°C - Test conditions CECOMAF EN12900

SECOP COMPRESSOR R290 MLBP VARIABLE SPEED



NLV



105N4710



LF Code	GEV code	Model	Displacement cm ³	Motor type	Speed rpm	Watt	Ampere	Refrigeration power Watt Evaporating temperature °C -25 -10	Power supply Volt/Ph/Hz
3070408	605368	NLV12.6CN	12.55	permanent magnet	2000	250	1.2	372 686	220-240/1/50-60
					2500	310	1.5	470 870	220-240/1/50-60
					3000	371	1.8	561 1033	220-240/1/50-60
					3500	436	2.1	650 1208	220-240/1/50-60
					4000	500	2.3	736 1383	220-240/1/50-60
					4500	565	2.6	827 1558	220-240/1/50-60
3070409	501670	105N4710		controller inverter					

Test conditions +45°C

SECOP COMPRESSOR R290 LBP VARIABLE SPEED



SLV

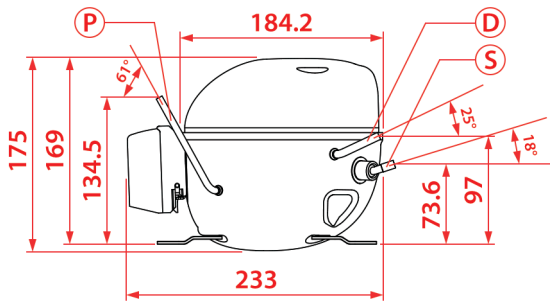


105N4627



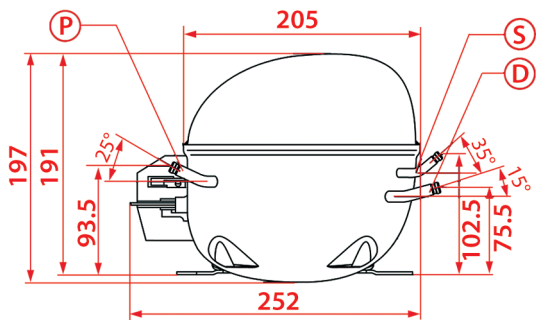
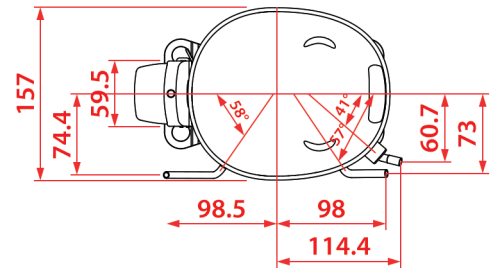
LF Code	GEV code	Model	Displacement cm ³	Motor type	Speed rpm	Watt	Ampere	Refrigeration power Watt Evaporating temperature °C -30 -25 -20 -15	Power supply Volt/Ph/Hz
3070277	605216	SLV15CNK.2	15.28	permanent magnet	2000	315	1.6	311 402 510 638	220-240/1/50-60
					2500	385	1.9	393 509 645 805	220-240/1/50-60
					3000	458	2.1	467 602 759 941	220-240/1/50-60
					4000	607	2.8	615 792 996 1228	220-240/1/50-60
3445445	LF3445445	105N4627		controller inverter					

Condensation temperature +45°C - Test conditions CECOMAF EN12900



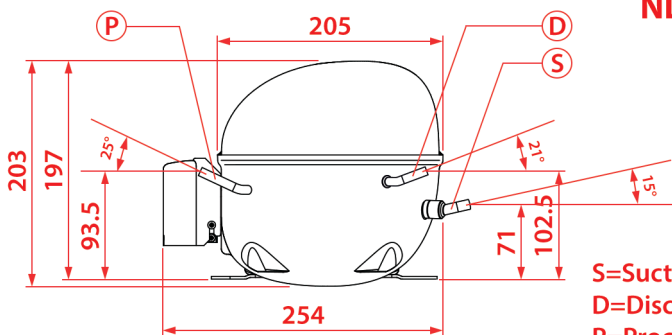
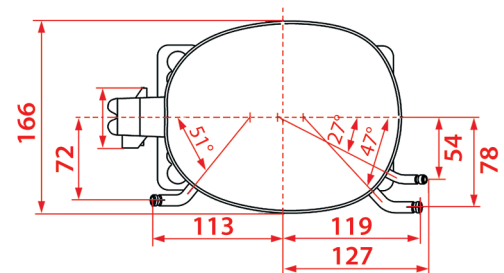
DLE

S=Suction \varnothing 8.2
D=Discharge \varnothing 6.5
P=Process \varnothing 6.5



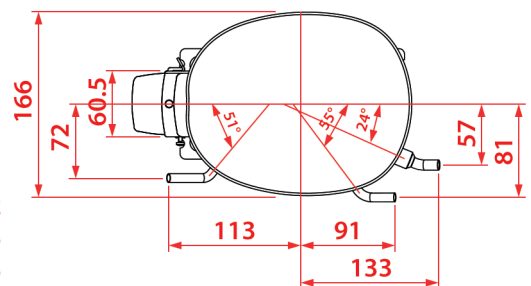
NL

S=Suction \varnothing 8.2
D=Discharge \varnothing 6.2
P=Process \varnothing 6.2

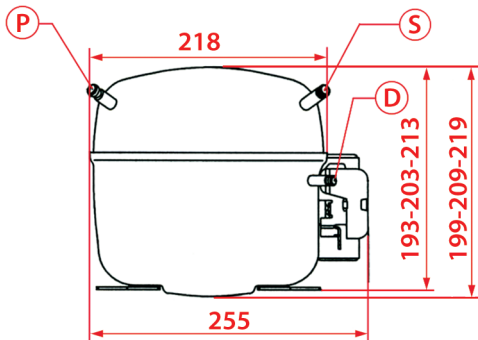


NLE

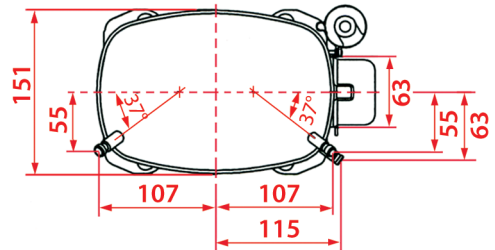
S=Suction \varnothing 8.2
D=Discharge \varnothing 6.5
P=Process \varnothing 6.5



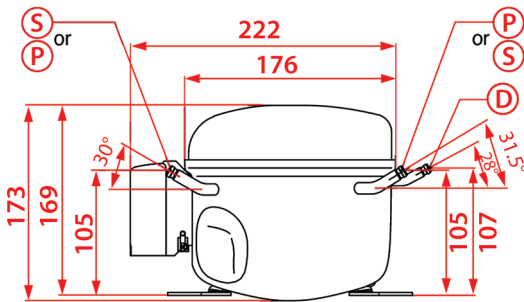
SC



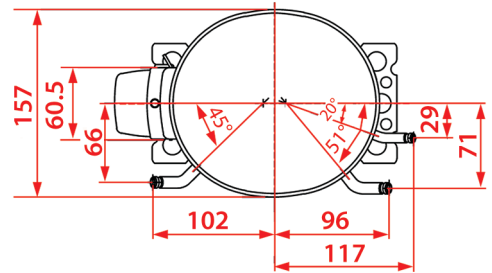
S=Suction \varnothing 8.2
D=Discharge \varnothing 6.2
P=Process \varnothing 6.2



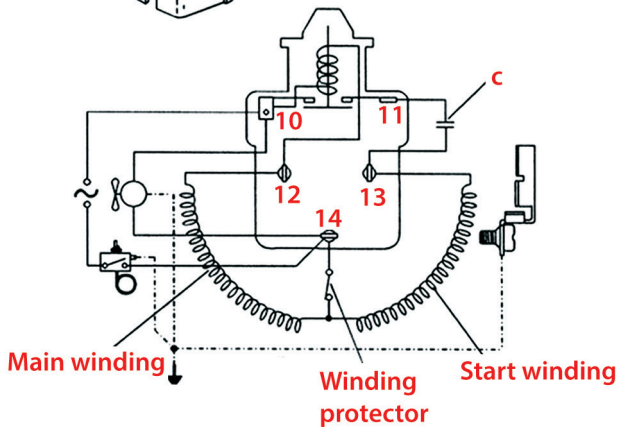
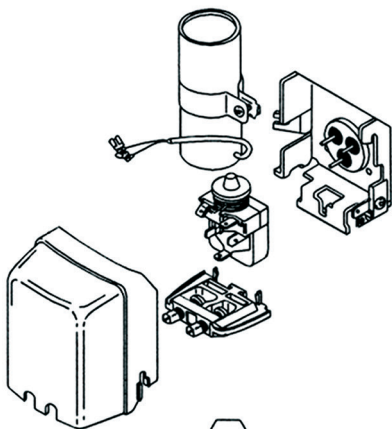
TL



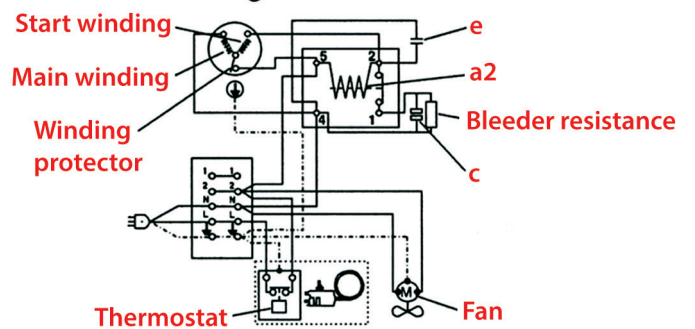
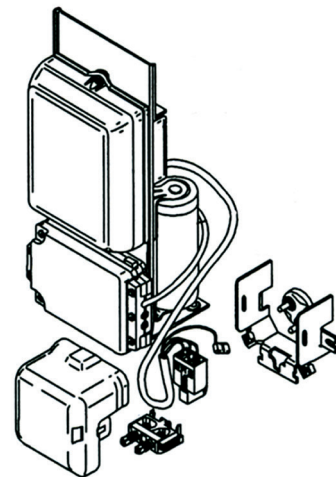
S=Suction \varnothing 6.2
D=Discharge \varnothing 5.0
P=Process \varnothing 6.2



HST CSIR

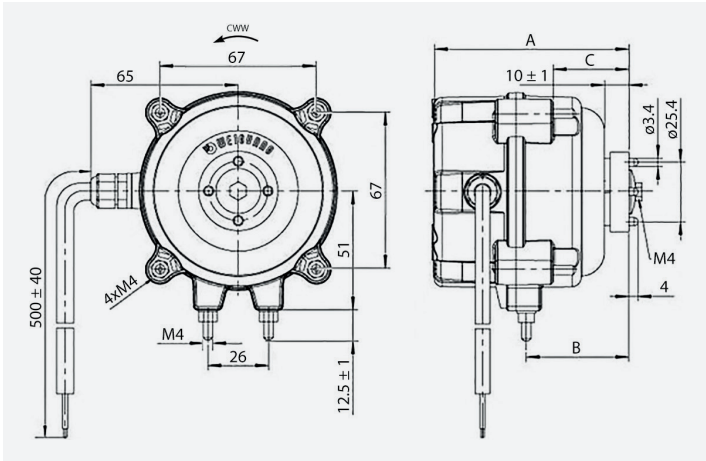


HST CSR



ENERGY SAVING MOTORS

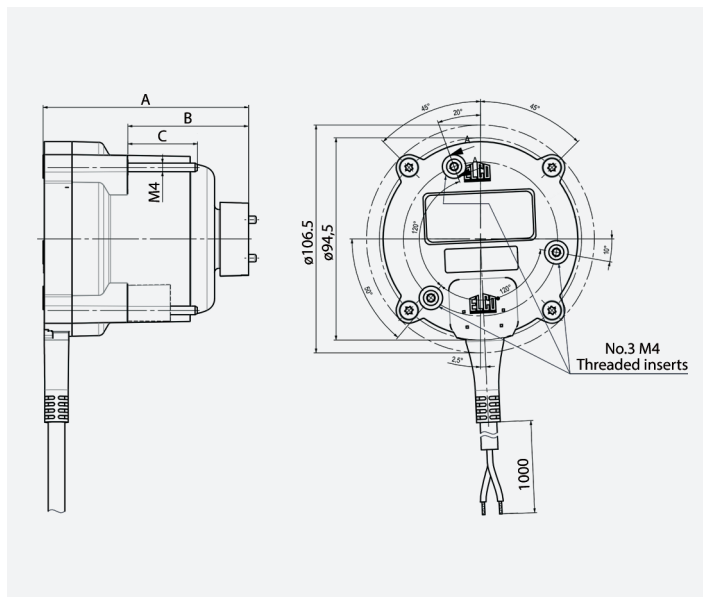
WEIGUANG ECM ELECTRONIC MOTORS



LF Code	GEV code	Model	Power supply	Power Watt	Nominal speed rpm	A mm	B mm	C mm
3340256	601877	7108	220-240V 50/60Hz	7	1300	83	43.5	32.5
3340257	601878	7112	220-240V 50/60Hz	24	1300	87	43.5	32.5
3340258	601879	7120	220-240V 50/60Hz	32	1300	95	43.5	32.5

Energy saving

ELCO ECM ELECTRONIC MOTORS



LF Code	GEV code	Model	Power supply	Power Watt	Nominal speed rpm	A mm	B mm	C mm
3340168	601886	ECM 12	230V 50/60Hz	9/14	1400	81	48.5	24.5
3340215	601887	ECM 20	230V 50/60Hz	17/25	1400	96	56.5	32.5

Energy saving

CASTEL ANTI-ACID DEHYDRATOR FILTERS FOR REFRIGERANTS HC (R290-R600a)



LF Code	GEV code	Model	International code	ODF connection mm - in	Nominal volume cm ³	Length mm
3160540	750562	4303EX/2S	032S	6 - 1/4"	50	94

CASTEL SOLENOID VALVES NC FOR REFRIGERANTS HC (R290-R600a)



LF Code	GEV code	Model	ODF connection mm - in.	Operating principle	Kv factor m ³ /h
3120577	370804	1028N/2S	6 - 1/4"	Direct action	0.15
3120578	370805	1028V/2S.E	6 - 1/4"	Direct action	0.23

CASTEL COILS AND CONNECTORS FOR REFRIGERANT HC (R290-R600a)



1



2



Photo	LF Code	GEV code	Coil type	Model	Volt	Hertz	Connection
1	3120572	371338	HF2	9300EX/RA6	230	50/60	Terminal block PG9
2	3120573	LF3120573	PG9	9150EX/R02			



LF Code: 3349626
GEV Code: LF3349626

VALVE INTERNAL MECHANISM

for refrigerants R290-R600

MANUAL ASSEMBLY CLAMP FOR LOKRING COUPLINGS



LF Code	GEV code	Model
3394261	800363	HMRK-L

ASSEMBLY JAWS FOR LOKRING COUPLINGS TYPE 50



LF Code	GEV code	Model	For ϕ external tube
3394393	750596	MB 8 EVP	6-8 mm 1/4"-5/16"
3394394	750598	MB 10 EVP	9-11 mm 3/8"
3394395	750844	MB12 EVP	12-13 mm 1/2"

VULKAN LOKRING FITTINGS FOR ALUMINIUM PIPES SERIES 50



LF Code	GEV code	pipe ϕ mm
3349254	750859	5
3349255	750857	6
3349256	750853	7
3349257	750852	8

VULKAN LOKRING REDUCERS FOR ALUMINIUM PIPE SERIES 50



LF Code	GEV code	pipe ϕ mm
3349258	750657	6 - 7
3349260	750850	6 - 8

VULKAN LOKRING FITTINGS FOR COPPER PIPES SERIES 50



LF Code	GEV code	pipe ø mm - in.
3349243	LF3349243	6
3349244	S0910000	1/4"
3349245	750851	8 - 5/16"
3349246	S0910001	3/8"
3349247	750854	10
3349271	S0502180	1/2"
3349274	750575	12
3349277	750720	16 - 5/8"
3349282	750849	18
3349458	750845	3/4"
3349459	750848	22 - 7/8"

VULKAN LOKRING REDUCERS FOR COPPER PIPES SERIES 50



LF Code	GEV code	pipe ø mm - in.
3349248	750855	5 - 6
3349249	750856	1/4" - 8 (5/16")
3349253	750858	6 - 3/8"
3349557	750846	3/8" - 8 (5/16")
3349462	750847	1/4" - 3/8"
3349558	750860	3/8" - 1/2"
3349559	750579	10 - 12



LF Code: 3349600
GEV Code: 890287



LF Code: 3349438
GEV Code: 750607



LF Code: 3394264
GEV Code: 890053

VULCAN LOKRING CASE

for domestic refrigerators

END CAP MS 00

for hose ø 1/4"- 6 mm

SEALER TUBE LOKPREP 15 ml

EQUIPMENT AND INSTRUMENTATION



LF Code: D170002
GEV Code: LFD170002

DISPOSABLE CYLINDER 420 gr R600a

tap MA23



LF Code: 3170002
GEV Code: 890315

DISPOSABLE CYLINDER 370 gr R290

valve MA19
TUV - CE - T-PED certified



LF Code: 3356074
GEV Code: LF3356074

CYLINDER VALVE MA23

inlet 7/16" F
outlet 1/4" sae M



LF Code: 3017002
GEV Code: LF3017002

DIGITAL SCALE 5 kg / 13 lb

pan ø 155 mm
resolution 1 gr / 0.01 oz
unit of measurement g / ml / lb / oz
automatic switch off function
3 AAA batteries included



LF Code: 3023346
GEV Code: LF3023346

ADAPTER PROFLEX 1/4"

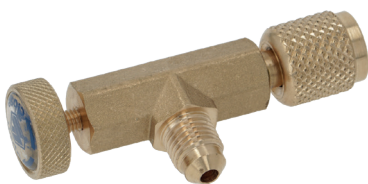
length 120 mm
max. pressure 60 bar



LF Code: 3420006
GEV Code: 802187

STOP LEAK FOR REFRIG. EXTREME WHITE 12ml

for refrigeration systems R600a-R290



LF Code: 3505095
GEV Code: LF3505095

ACCESS VALVE LOCK-VALVE

1/4" sae M x 1/4" sae F
it avoids gas leaks during the connection
and disconnection of the valve
PTFE-sealing



LF Code: 3529001
GEV Code: LF3529001

DIGITAL VACUUM GAUGE W-VAC/L

radial connection 1/4" sae
measuring range from 0.0 to 25.000
microns
resolution 1 micron
selectable units of measurement (micron-
pascal-millibar-millitorr-mmHg)
max overpressure 500 PSI



LF Code: 3425001
GEV Code: LF3425001

VACUUM PUMP RS3D-EX WITH ATEX MOTOR

230V 50/60Hz 120W
double stage
nominal flow rate 46 l/min
final vacuum 1x10⁻² mbar
weight 6.4 kg



EQUIPMENT AND INSTRUMENTATION



LF Code: 3245042
GEV Code: 800321



LF Code: 3245043
GEV Code: 800322



LF Code: 3245023
GEV Code: LF3245023

PRESSURE GAUGE ø 80 LOW PRESSURE

radial connection 1/8npt
class 1.6
pressure -1-20 bar
gas scale R600a-R290-R1270

PRESSURE GAUGE ø 80 HIGH PRESSURE

radial connection 1/8npt
class 1.6
pressure 0-55 bar
gas scale R600a-R290-R1270

2-WAYS PISTON PRESSURE GAUGE UNIT

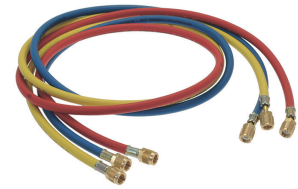
PF2ML80/D6/5/K1
pressure gauges ø 80 class 1 "pulse-free"
gas scales R600a-R290-R1270
connections 3x1/4" sae



LF Code: 3245031
GEV Code: LF3245031



LF Code: 3245048
GEV Code: 800430



LF Code: 3449165
GEV Code: LF3449165

DIGITAL PRESSURE GAUGE UNIT FOX-100 EVO

4-way piston pressure gauge unit
data base with 50 cooling gases (CFC-HCFC-
HFC-Hydrocarbons-HFO)
2 temperature probes type K (-99.9° +200°C)
pressure transducers range (-0.99 +49.90 bar)
high pressure elect. vacuum gauge (0..600 pa)
maximum operating pressure 56 bar
class of accuracy better than 1% FS
power supply unit 230V 50/60Hz included
data logger integrated
micro sd-card and reader included
pressure system test

DIGITAL PRESSURE GAUGE GROUP REFMATE-4

4-way piston pressure gauge unit
2 temperature probes type K (-40°+125°C)
pressure transducers range (-0.95+60 bar)
maximum operating pressure 60 bar
measurement accuracy ± 0.5 % (class 0.5)
power supply 4x1.5V AA
connectors 3x1/4"-3/8"empty
unit of measurement bar-psi-kPa-MPa-kg/cm2
3 charge tubes 1/4sae (blue,red,yellow 150cm)
+2 1/2-20UNF tubes (blue,red 150cm)+1 tube
3/8"
refrigerants over 50 in basic version
easy and free app update
REFMESH and computers
CE/FCC/IC/RCM/RoHS/REACH compliance
size 230x190x75mm

SET 3 INLET PIPES 900 mm

colors: blue red and yellow
in-line couplings 1/4" sae
PTFE gaskets
operating pressure 60 bar
bursting pressure 300 bar



LF Code: 3394239
GEV Code: LF3394239

LEAK DETECTOR FOR FUEL GAS TIF8900

detected gases
hydrocarbons: methane-ethane-propane-benzene-acetylene-butane-
isobutane-pentane-naphtha-gasoli-tolulene-hexane-halogenated
hydrocarbon, alcohol, ether, acetone-ammonia, hydrogen
sensitivity lower than 10ppm
sensitivity calibration
with rechargeable batteries and charger





GEV Großküchen-Ersatzteil-Vertrieb GmbH

Gadastr. 4
85232 Bergkirchen - Germany
T +49 8142 6522-50
info@gev-online.com
www.gev-online.com

LF S.p.A. a socio unico

Via Voltri 80
47522 Cesena FC - Italy
T +39 0547 341111
info@lfspareparts.com
www.lfspareparts724.com



EPGC S.a.s.

13 Rue des Forts
59960 Neuville en Ferrain - France
Tel.: +33 3 20250621
epgc@epgc.com
www.epgc.com

Commercial Catering Spares Ltd.

Block C - Axis Point Hill Top Road
Heywood - Lancashire - OL10 2RQ - UK
Tel: +44 1706 621 155
info@ccspares.co.uk
www.ccspares.co.uk

P020023100 - LF3DT48

